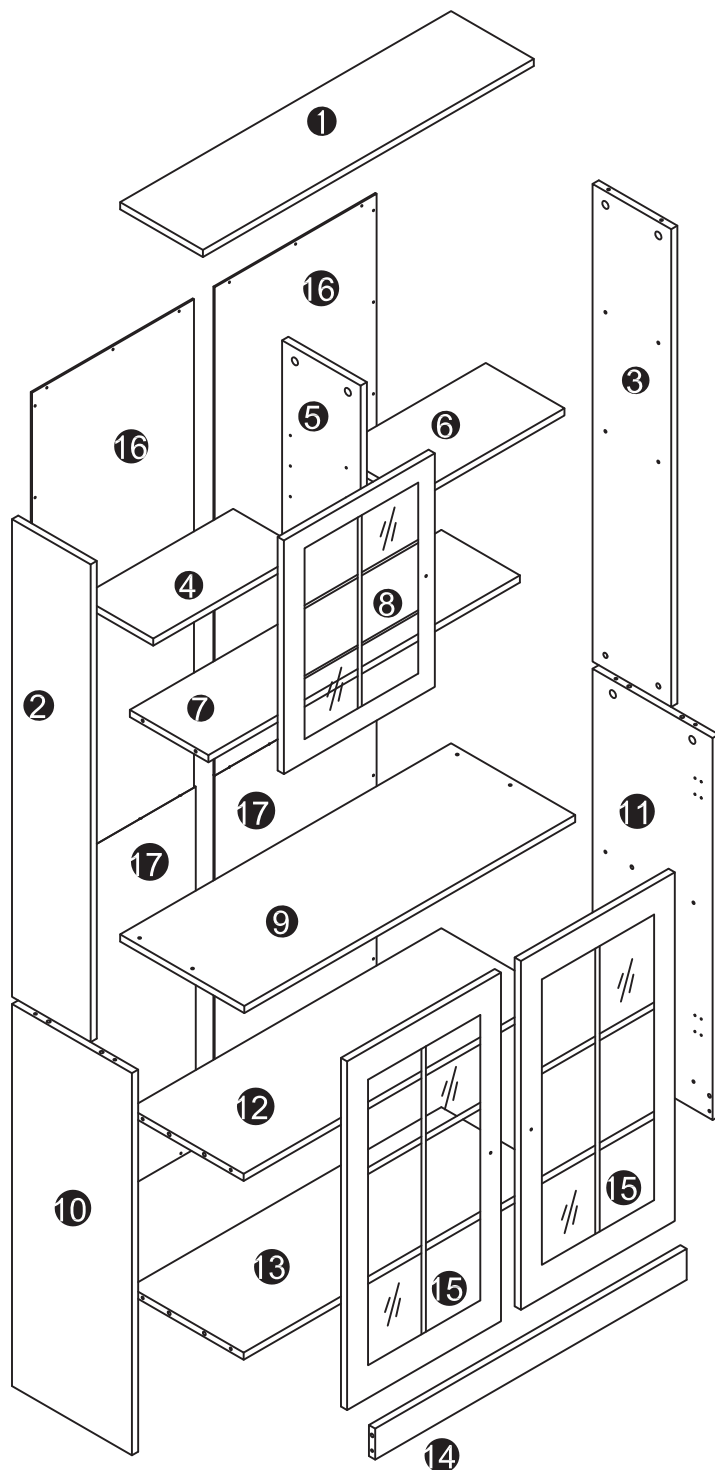





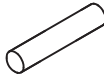


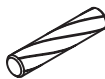









Tools Recommended

ASSEMBLY INSTRUCTION

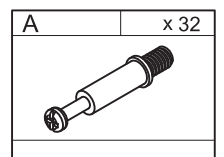
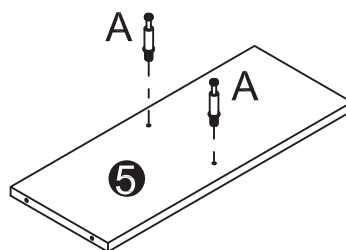
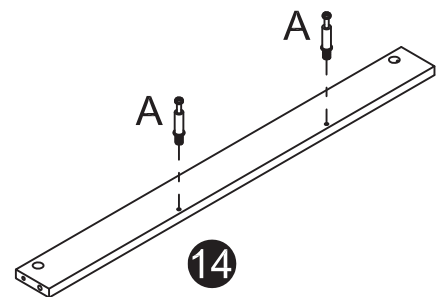
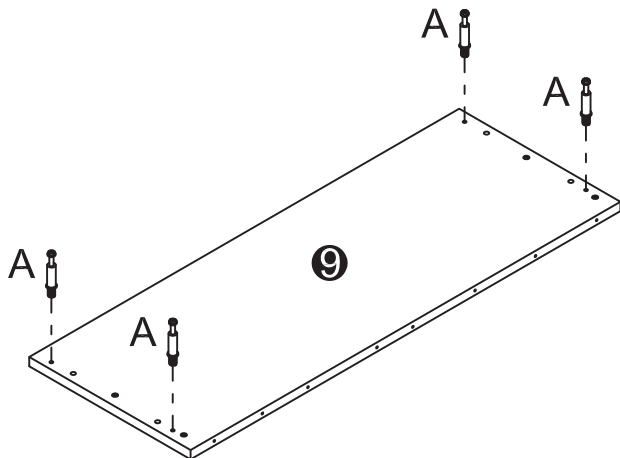
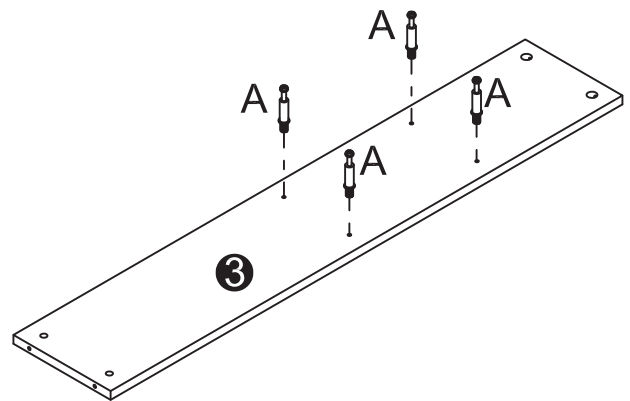
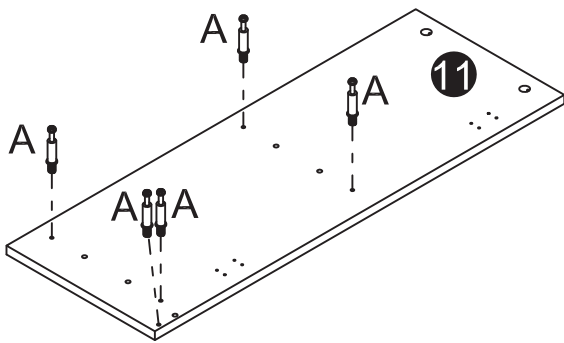
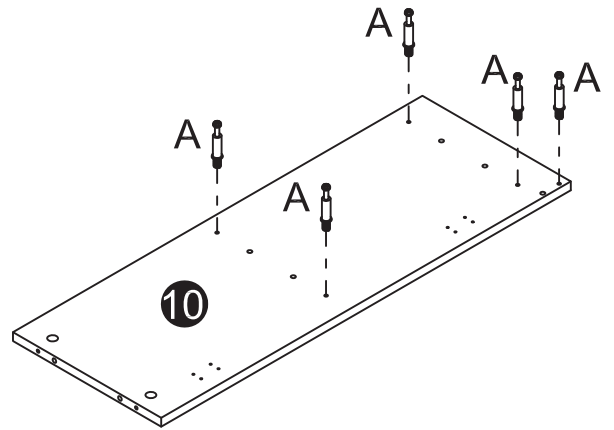
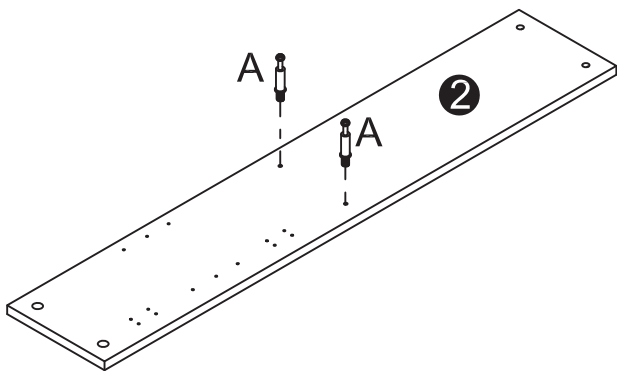
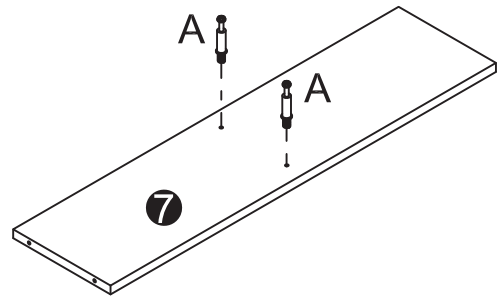
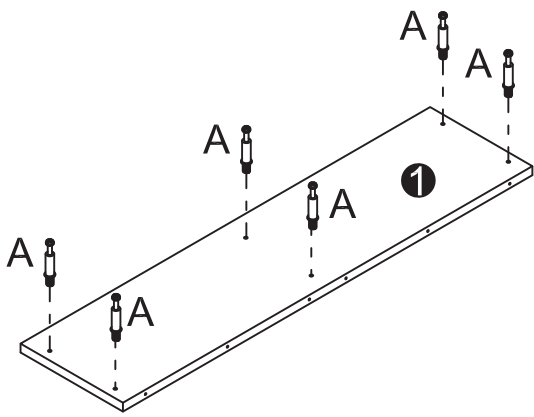


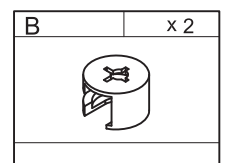
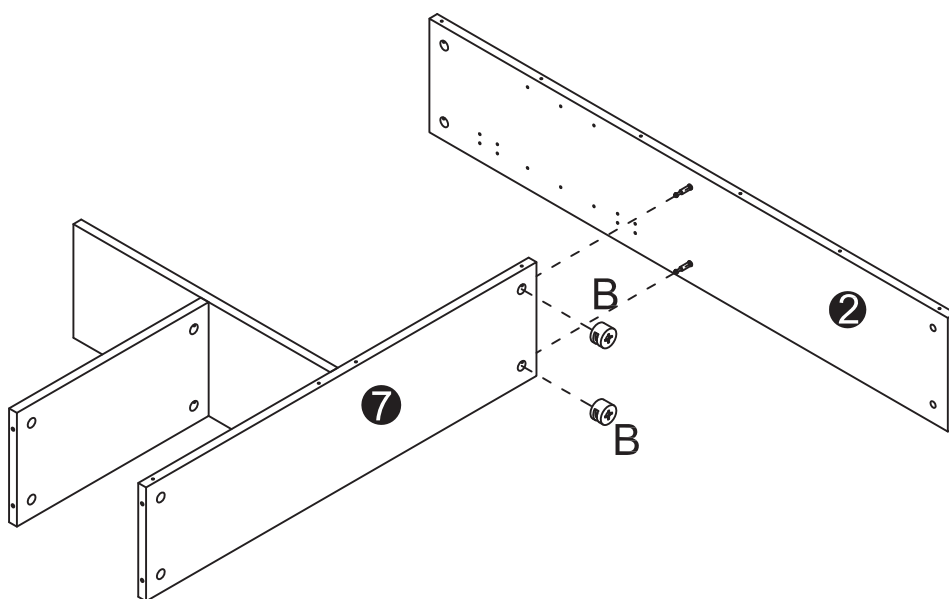
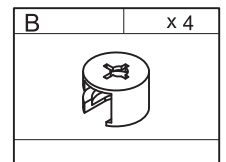
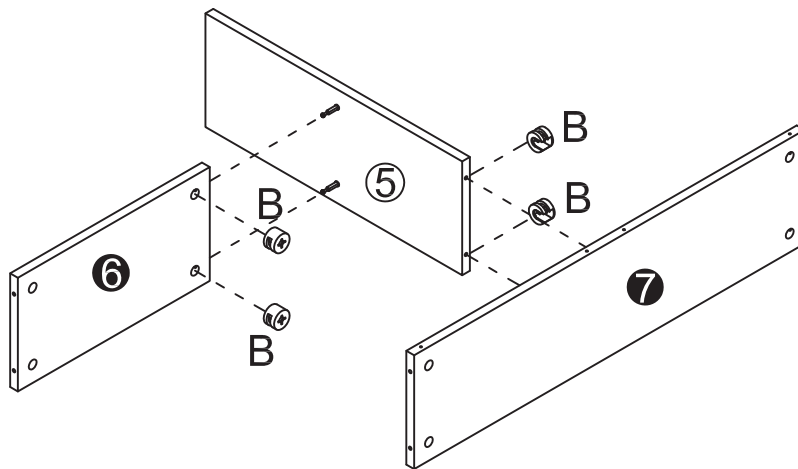
 A x32	 E x 4	 I x 6	 M x 4
 B x32	 F x 4	 J x36	 N x 2
 C x14	 G x48	 K x 3	 O x 2
 D x 4	 H x 2	 L x 3	 P x 2

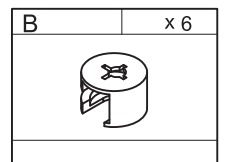
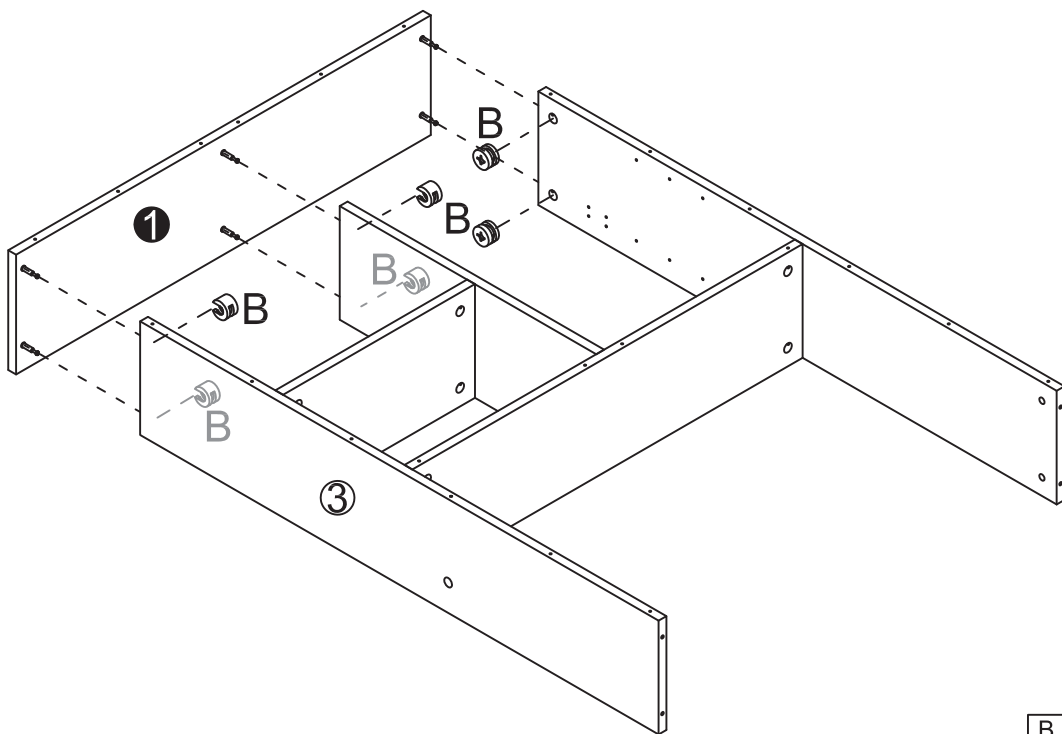
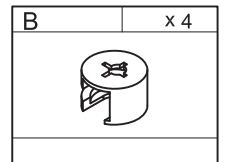
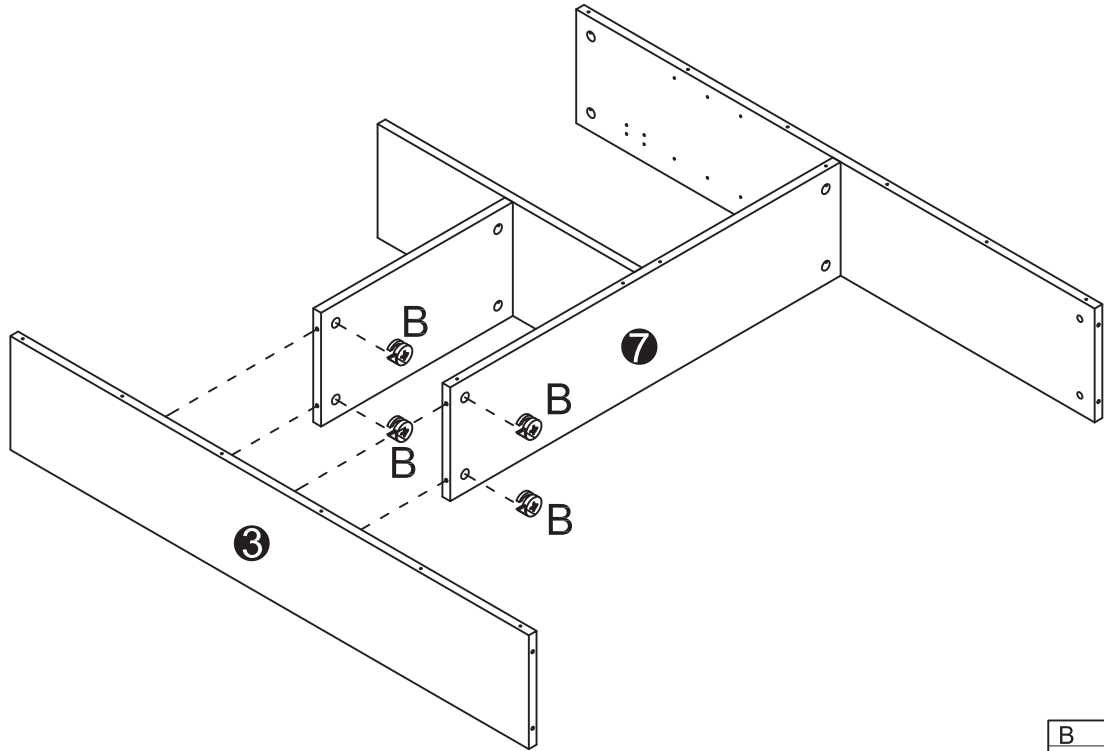
M3*12

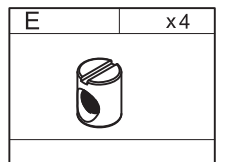
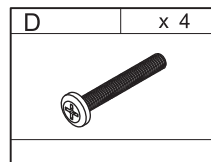
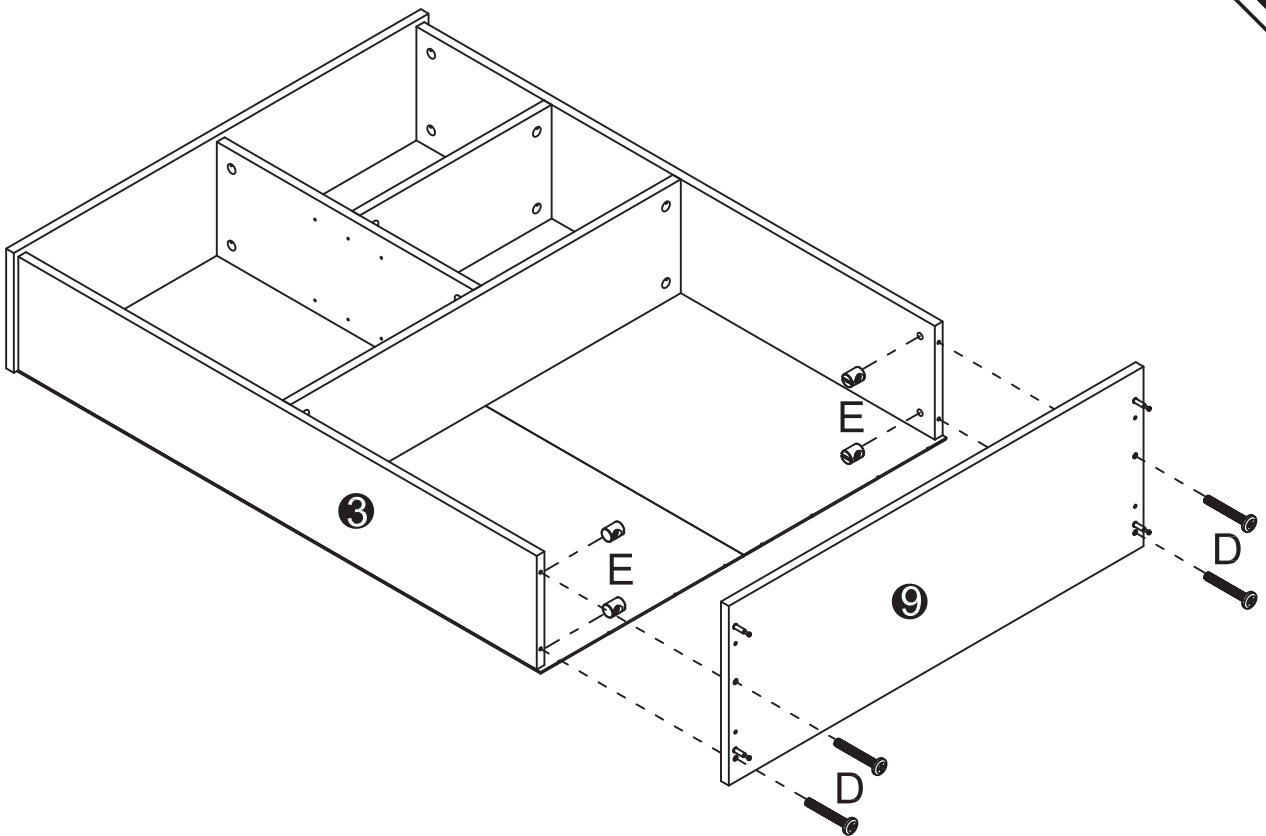
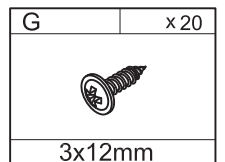
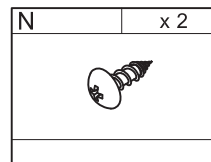
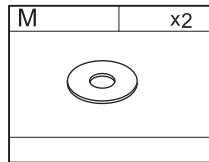
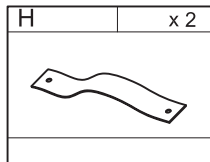
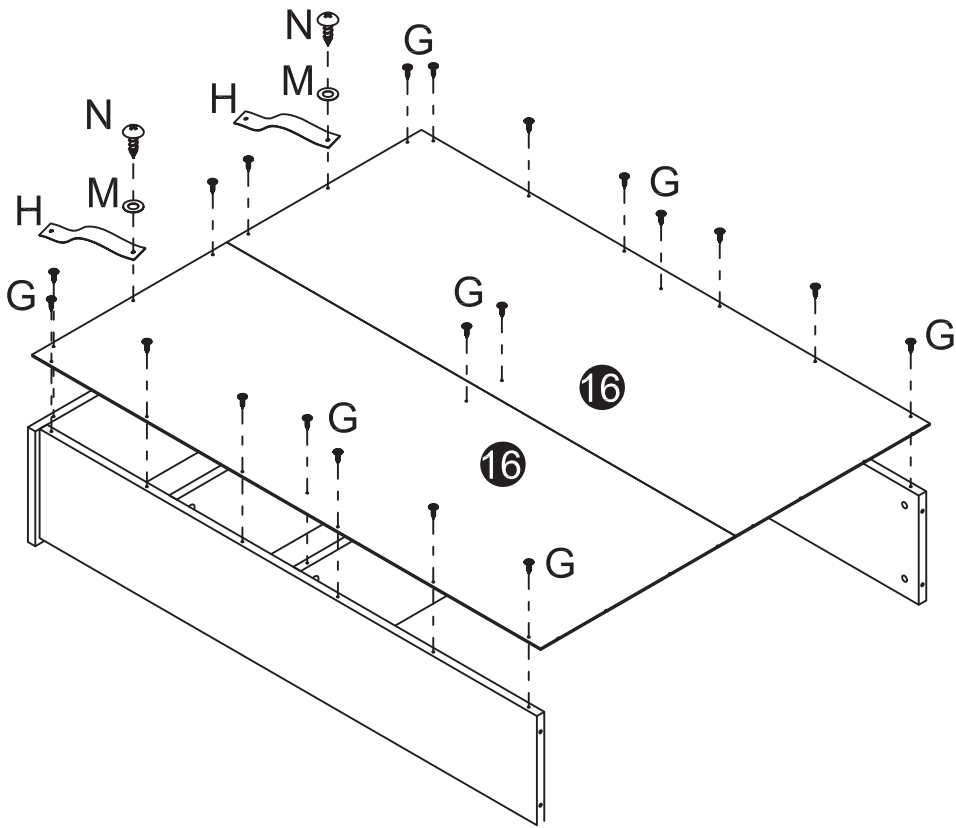
M4*14

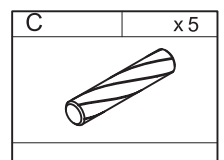
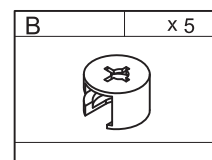
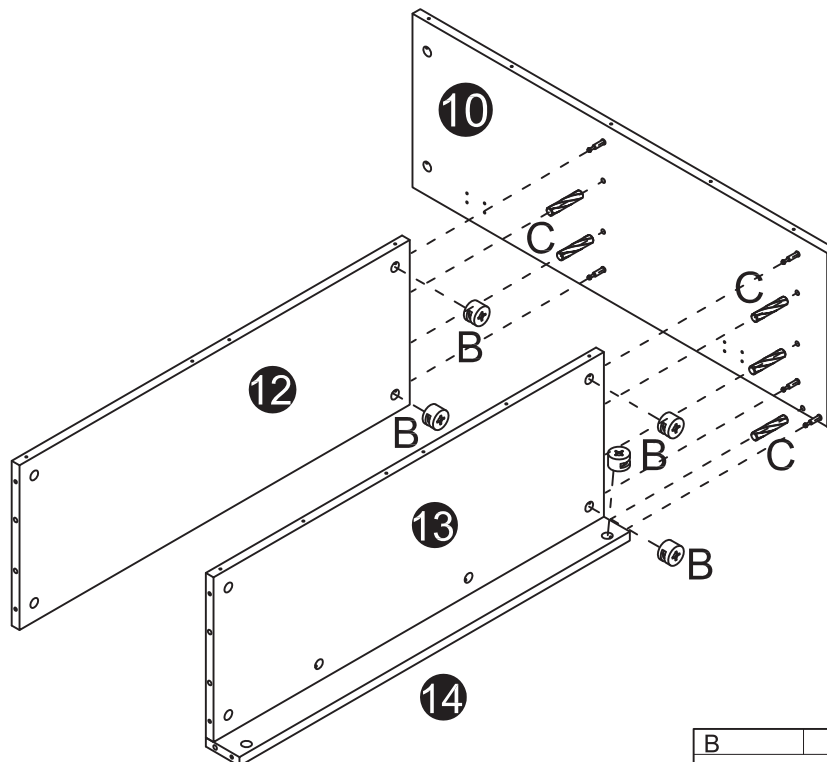
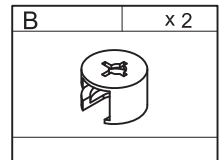
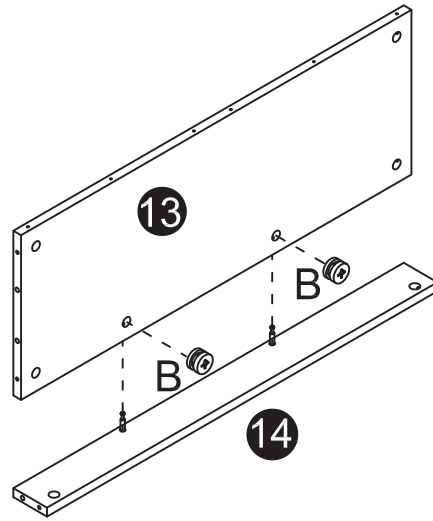
M4*30

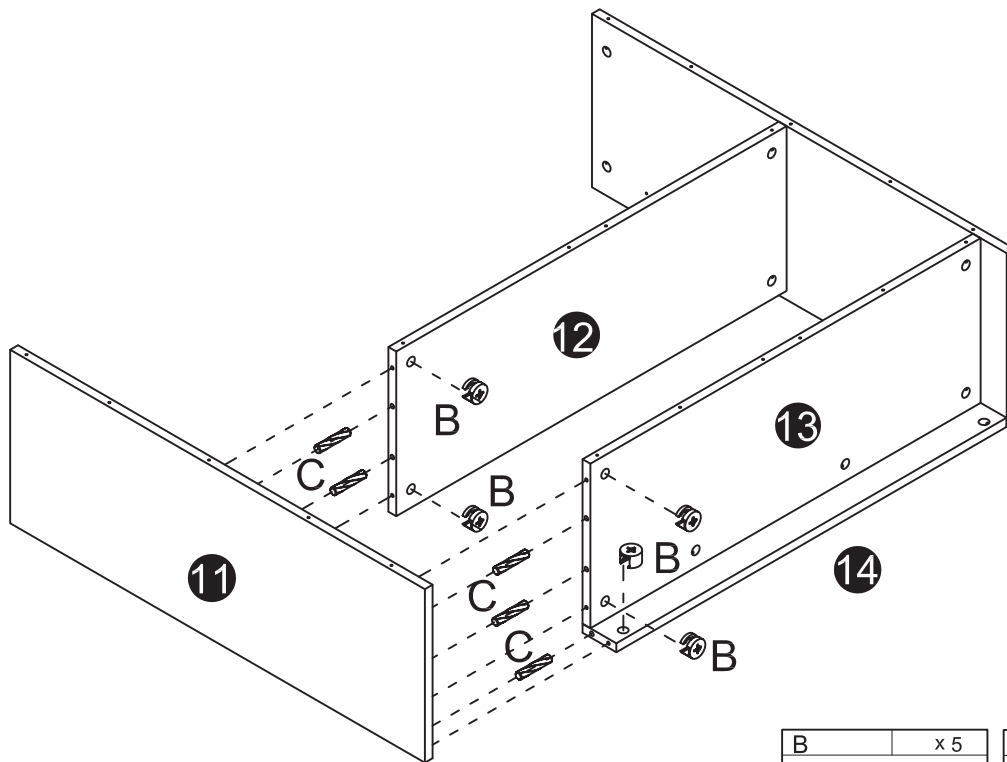


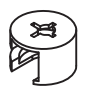
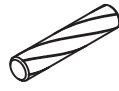


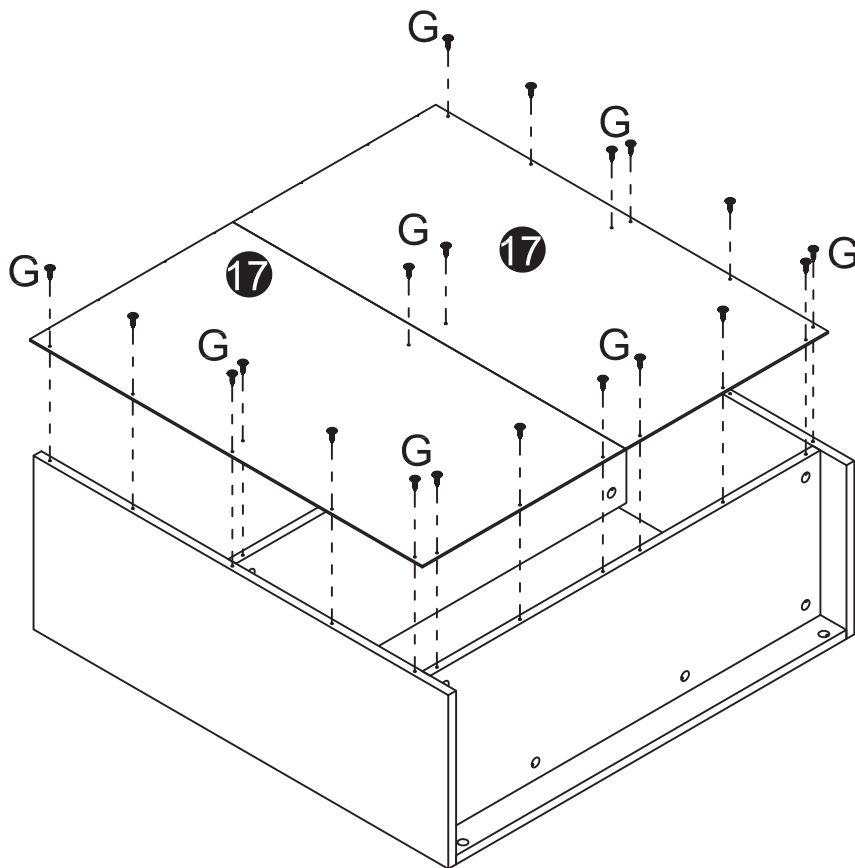





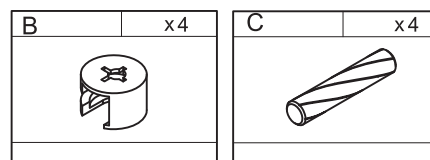
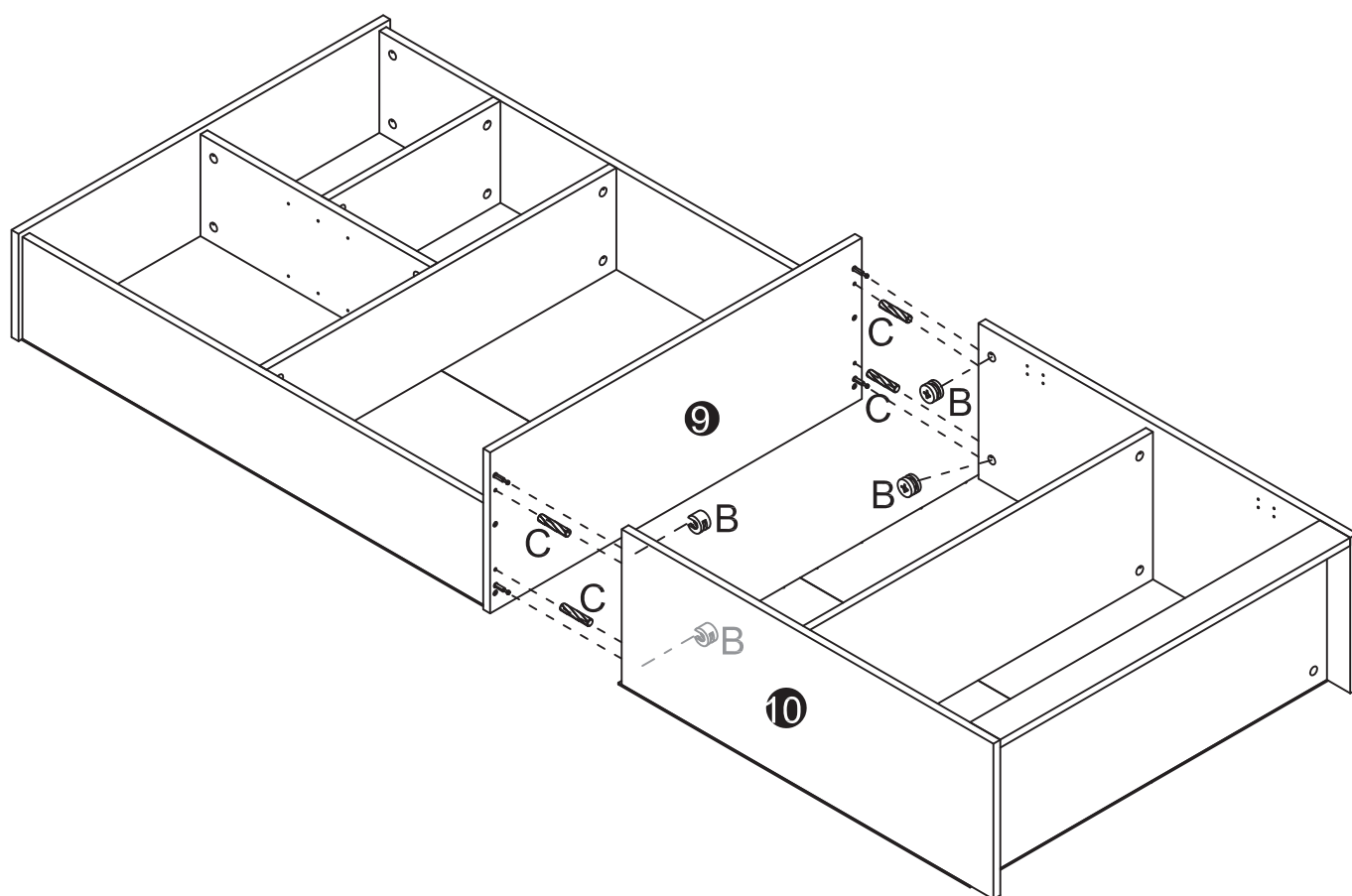


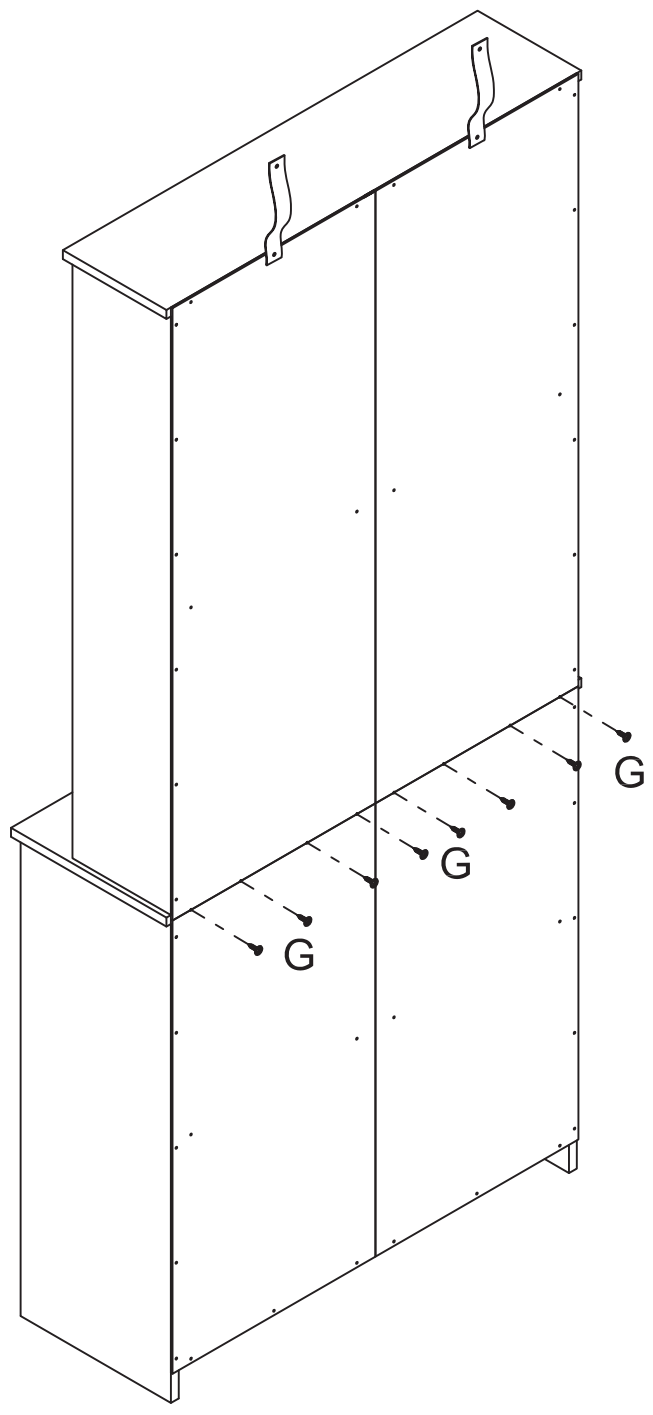



B	x 5	C	x 5
			

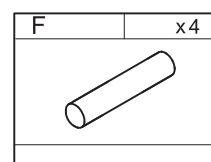
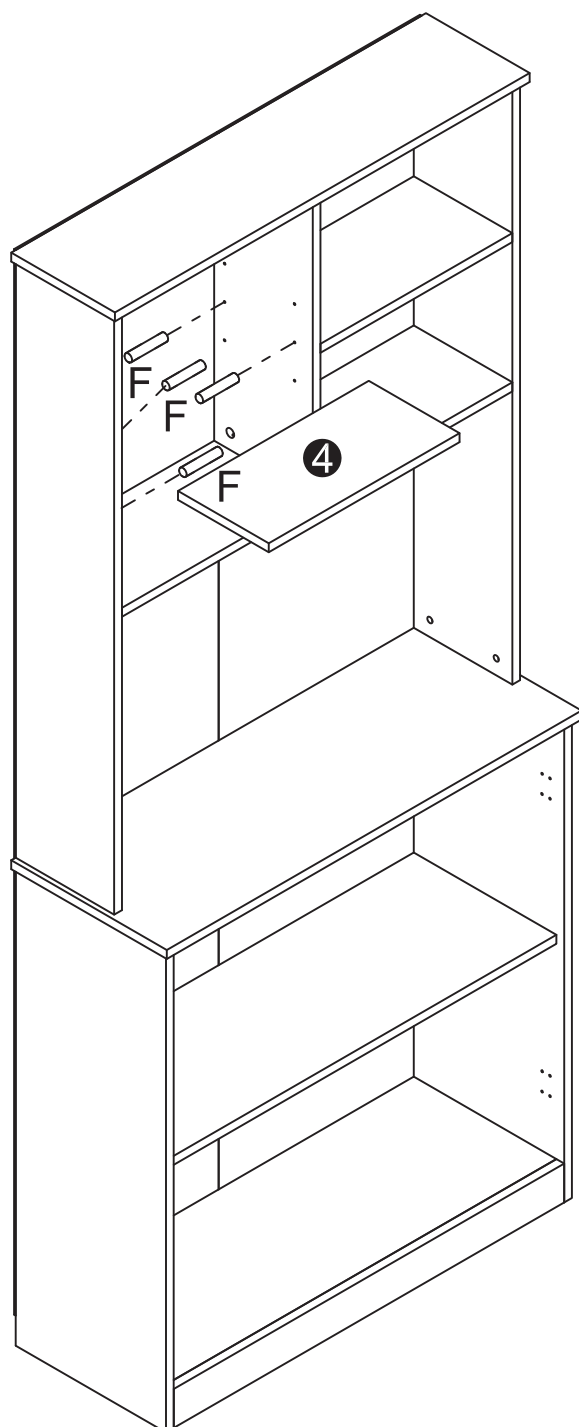


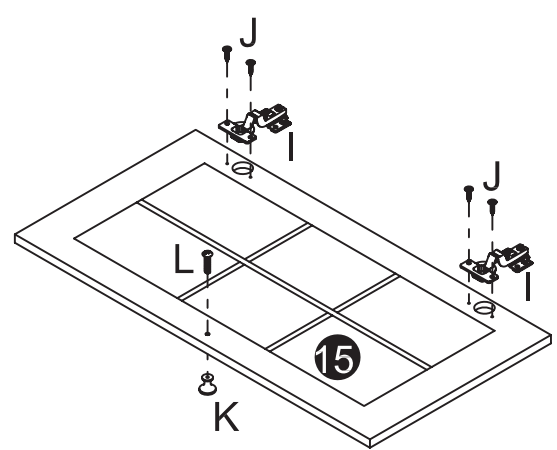
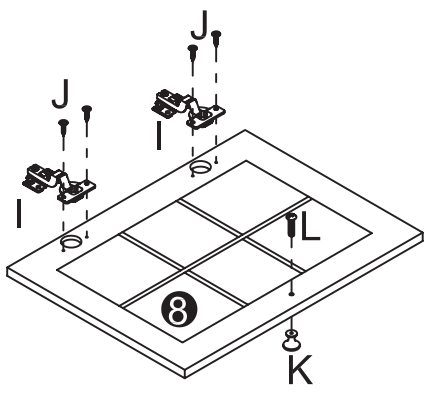
G	x 20
	
3x12mm	



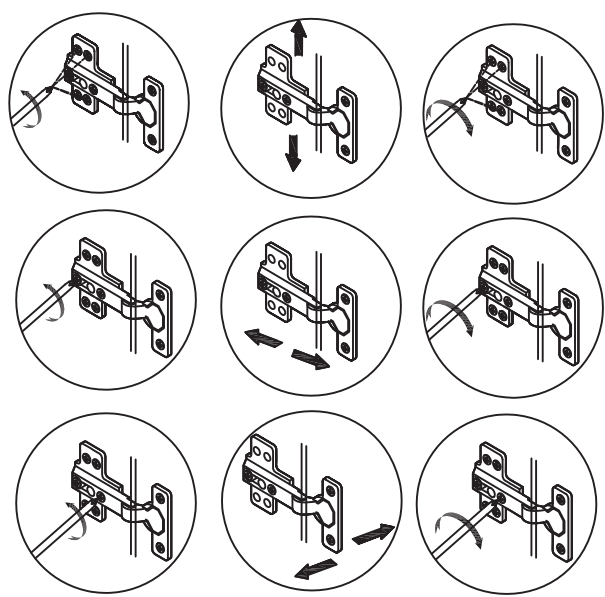
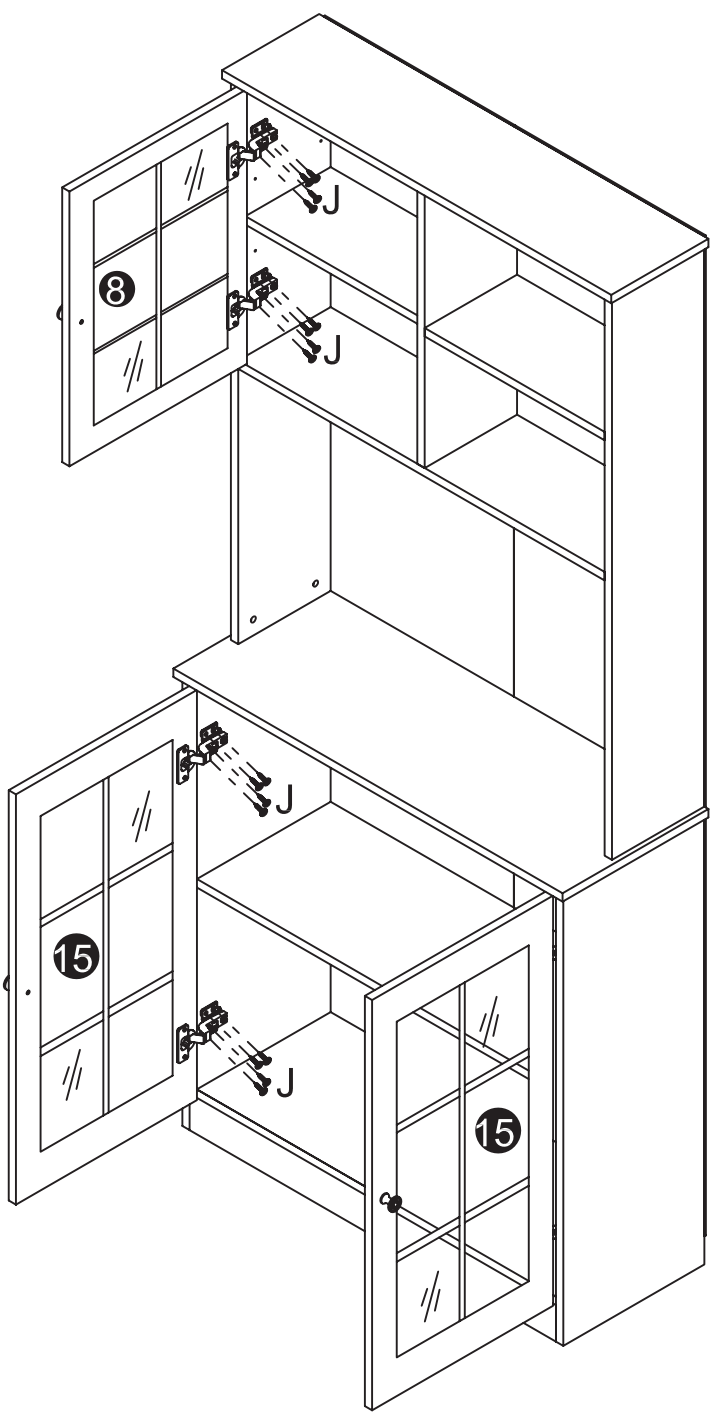


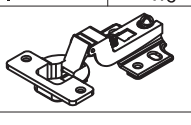

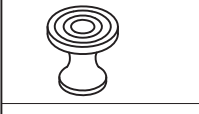
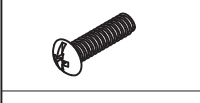
G	x 8
	
3x12mm	

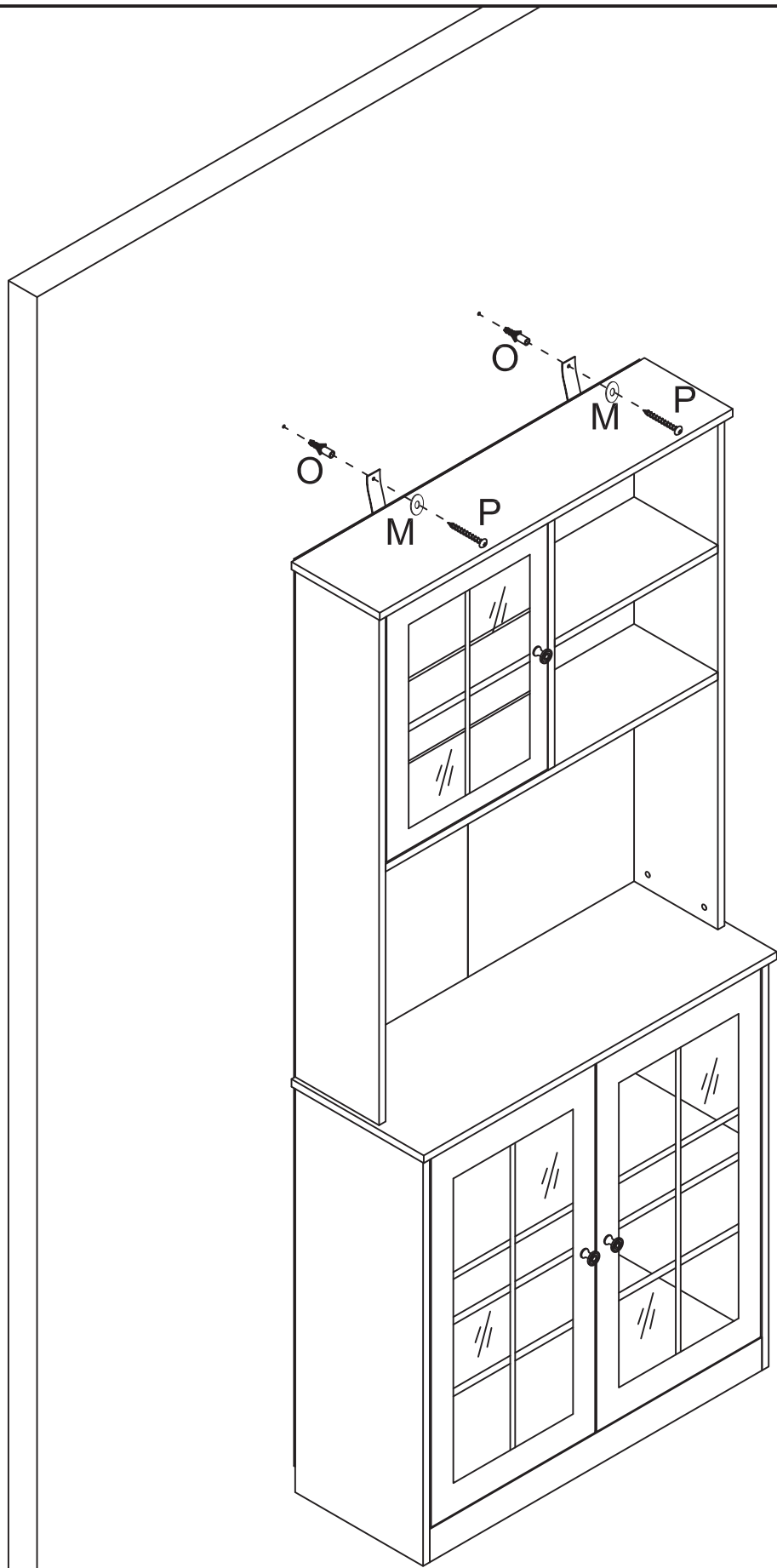






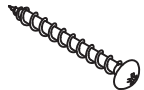
x2



 x6	 x36 4x14mm	 x3	 x3
---	---	---	---




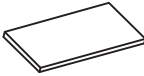





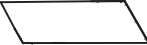
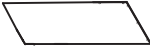


Done





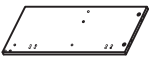
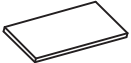
M	x2	O	x2	P	x2
					
				4x30mm	

















PACKING DETAILS: TOTAL 2 BOXES

BOX 1/2:

PART NO.	PARTS	QTY
1		x1
2		x1
3		x1
4		x1
5		x1
7		x1
12		x1
13		x1
14		x1
16		x1
17		x1

BOX 2/2:

PART NO.	PARTS	QTY
8		x1
15		x2
9		x1
10		x1
11		x1
6		x1

PART NO.	PARTS	QTY
A		x32
B		x32
C		x14
D		x4
E		x4
F		x4
G		x48
H		x2
I		x6
J		x36
K		x3
L		x3
M		x4
N		x2
O		x2
P		x2

US



001-877-644-9366
customerservice@aosom.com

CA



001-855-537-6088
customerservice@aosom.ca

UK



0044-800-240-4004
enquiries@mhstar.co.uk

DE



0049-(0)40-88307530
service@aosom.de

FR



0033-1-84166106
contact@aosom.fr

ES



0034-931294512
atencioncliente@aosom.es

IT



0039-0249471447
clienti@aosom.it