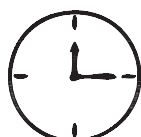
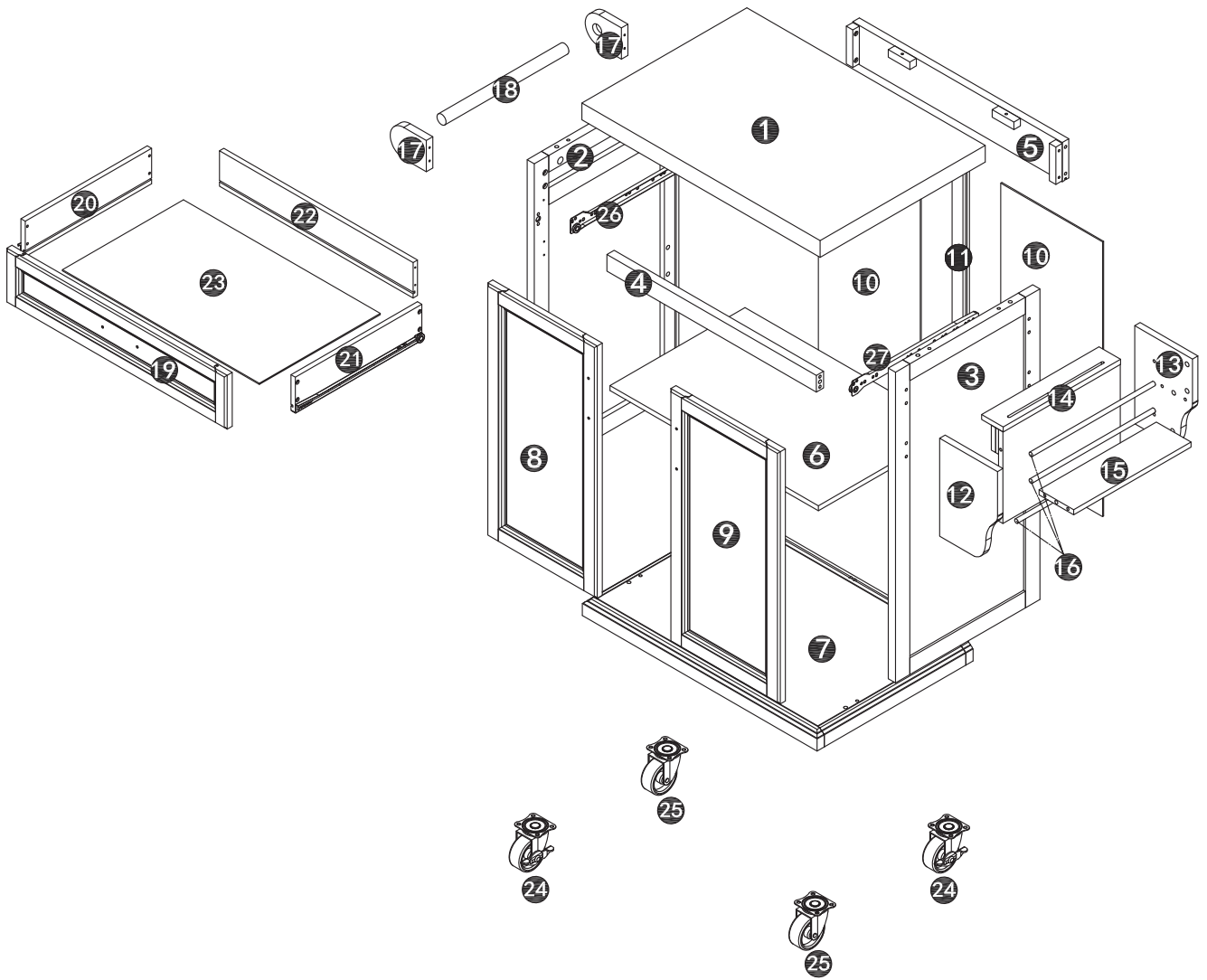


2PERS.



60MIN



<b>A</b>	x 6
M6X45mm	

<b>B</b>	x 8
M5X45mm	

<b>C</b>	x 14
M4X30mm	

<b>D</b>	x 22
M4X12mm	

<b>E</b>	x 16
M5X15mm	

<b>F</b>	x 4

<b>G</b>	x 32
Ø6X30mm	

<b>H</b>	x 4

<b>I</b>	x 3

<b>J</b>	x 4

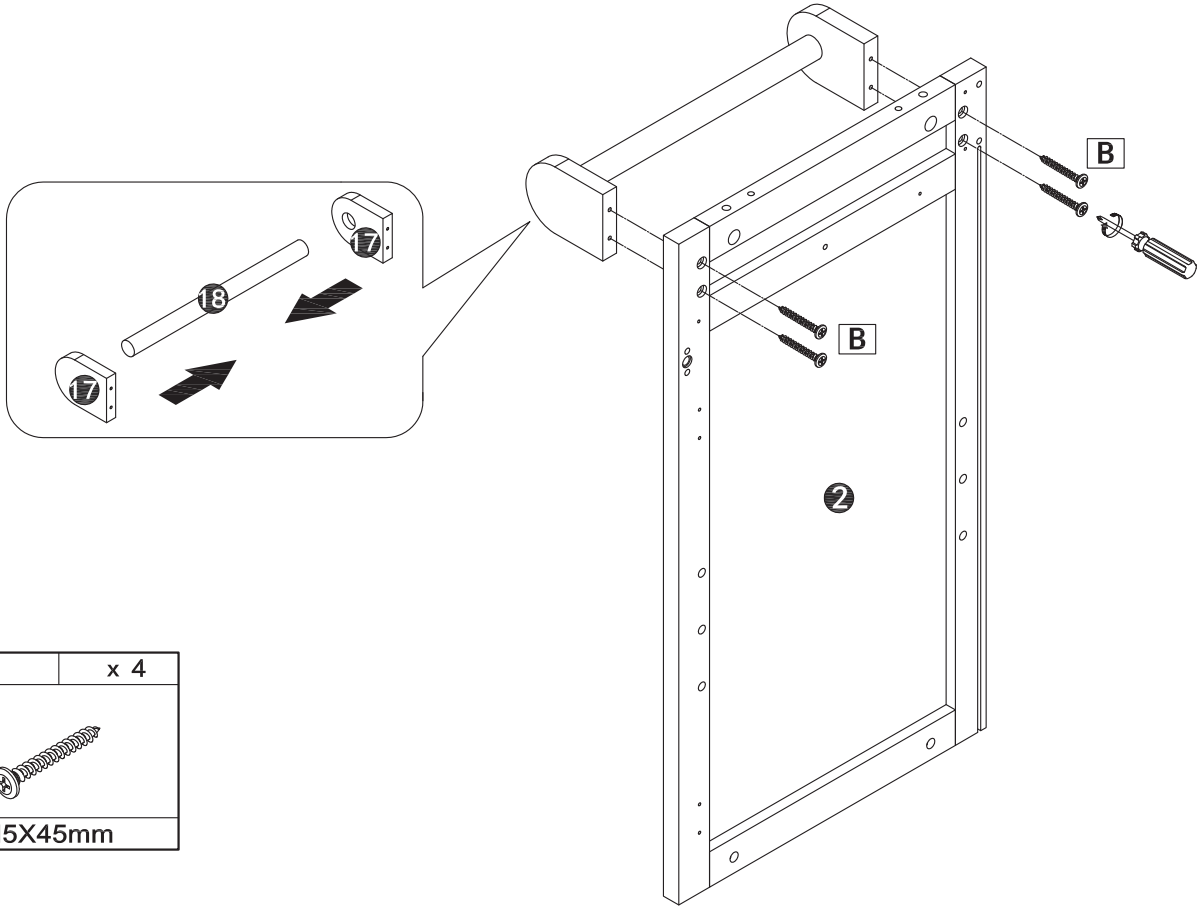
<b>K</b>	x 2

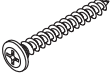
<b>L</b>	x 6

<b>M</b>	x 4

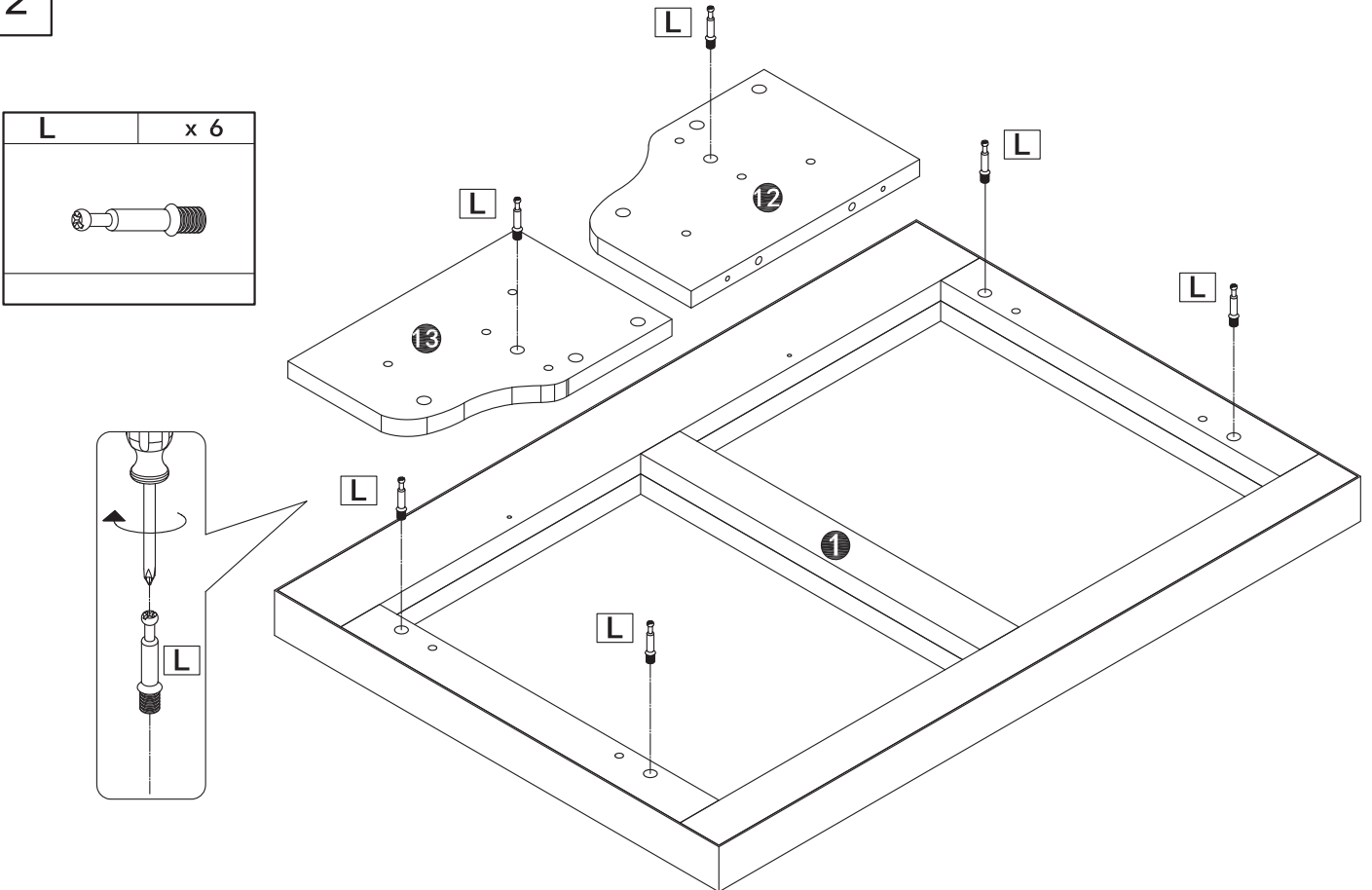
<b>N</b>	x 2

1



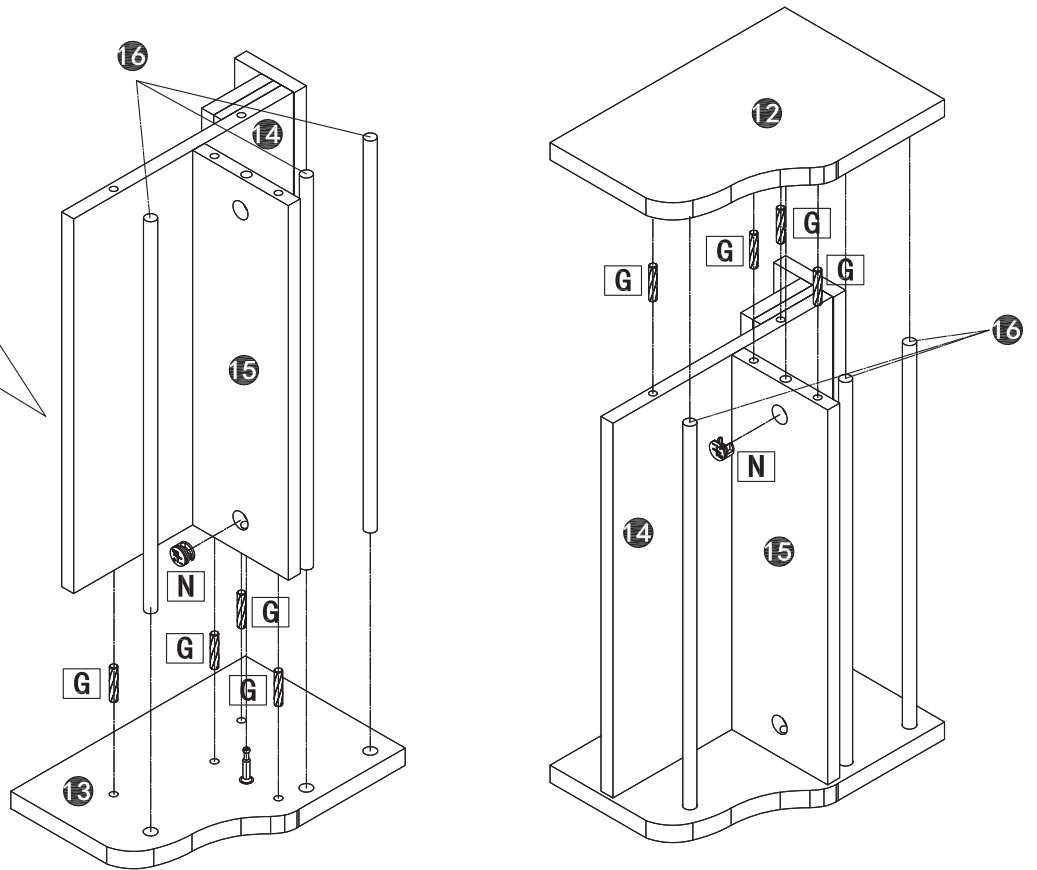
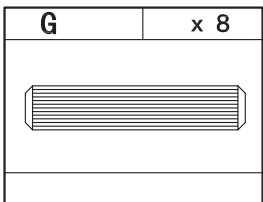
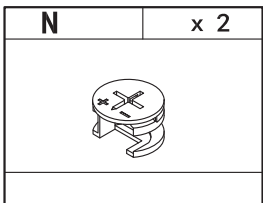
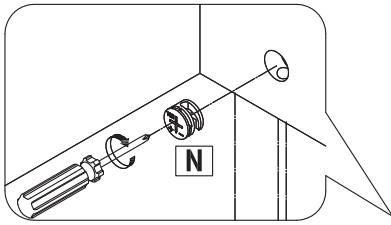
<b>B</b>	x 4
	
M5X45mm	

2

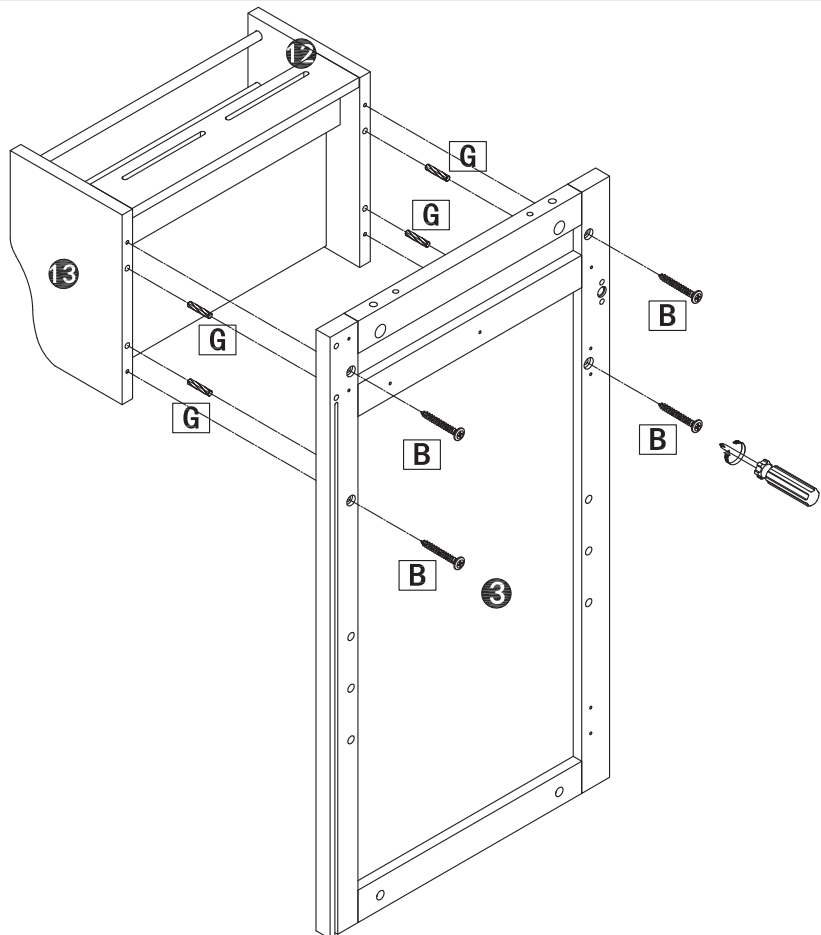
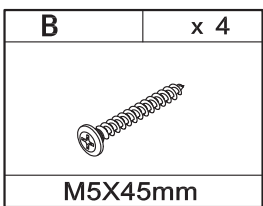
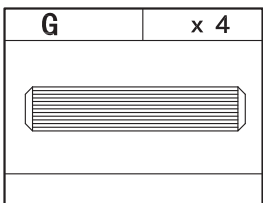


3

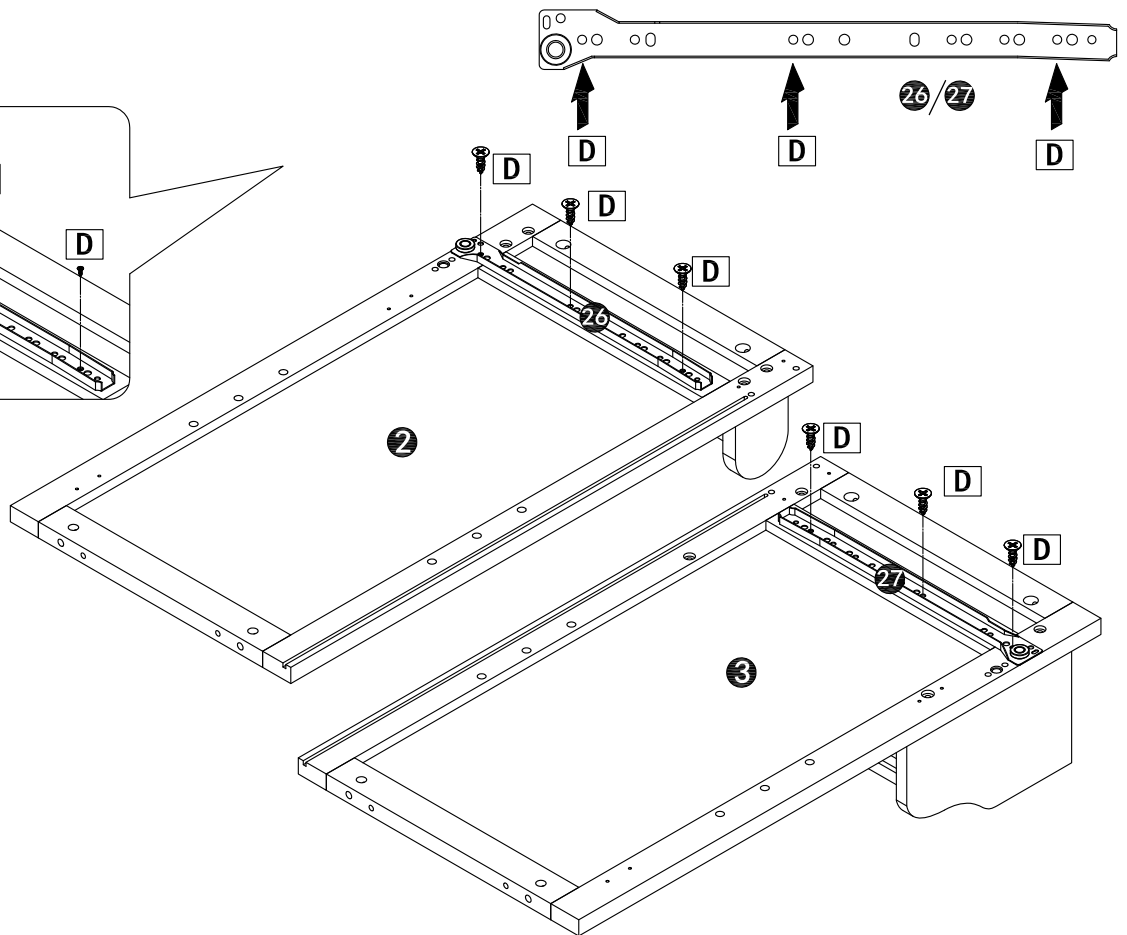
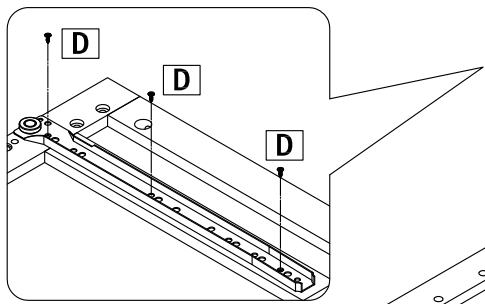
3



4



5



<b>D</b>	x 6
M4X12mm	

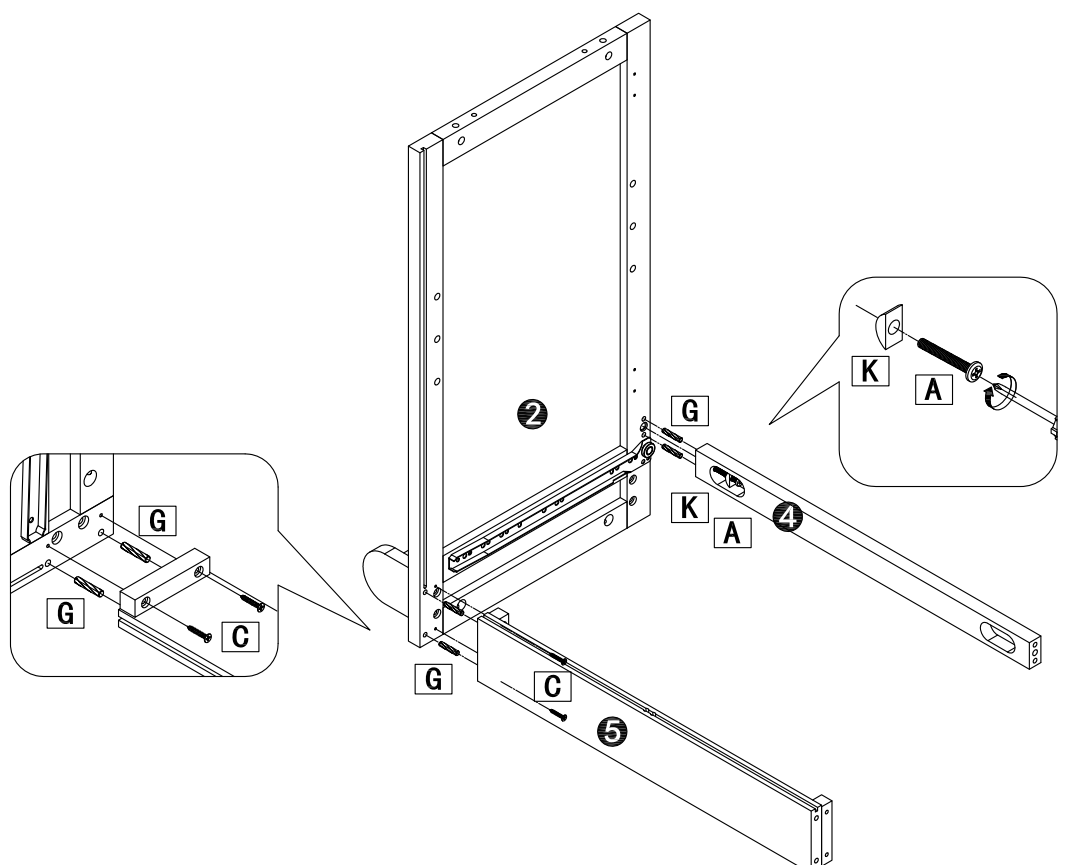
6

<b>A</b>	x 1
M6X40mm	

<b>K</b>	x 1

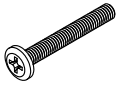
<b>G</b>	x 4
Ø6X30mm	

<b>C</b>	x 2
M4X30mm	



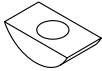
7

A x 1



M6X40mm

K x 1

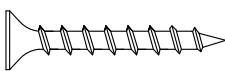


G x 4

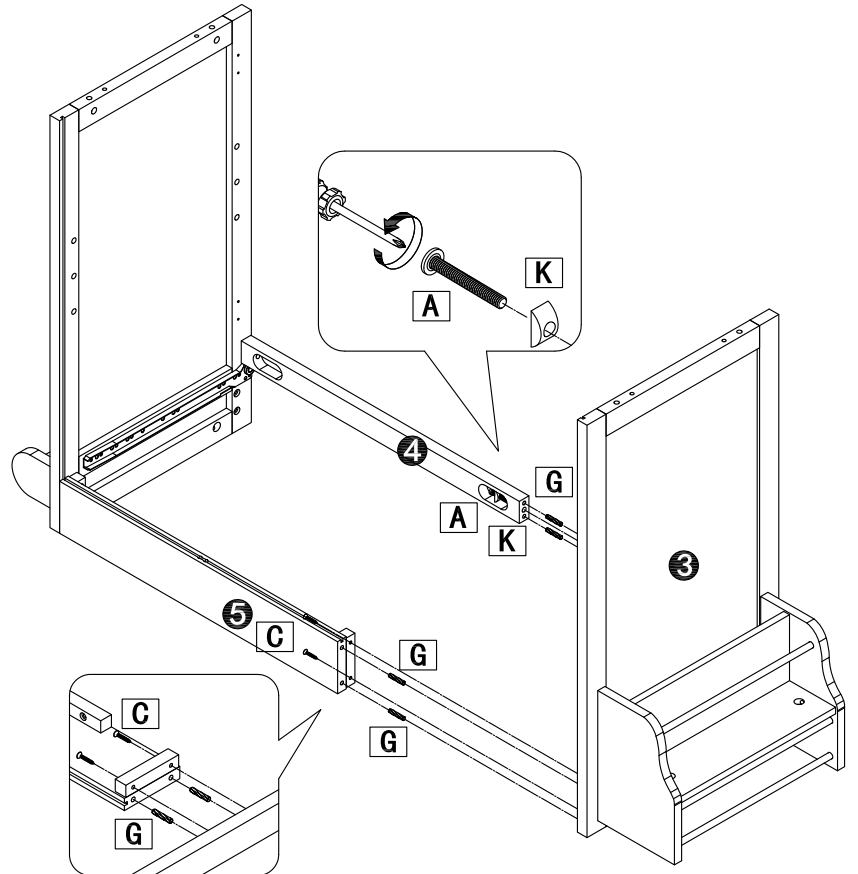


Ø6X30mm

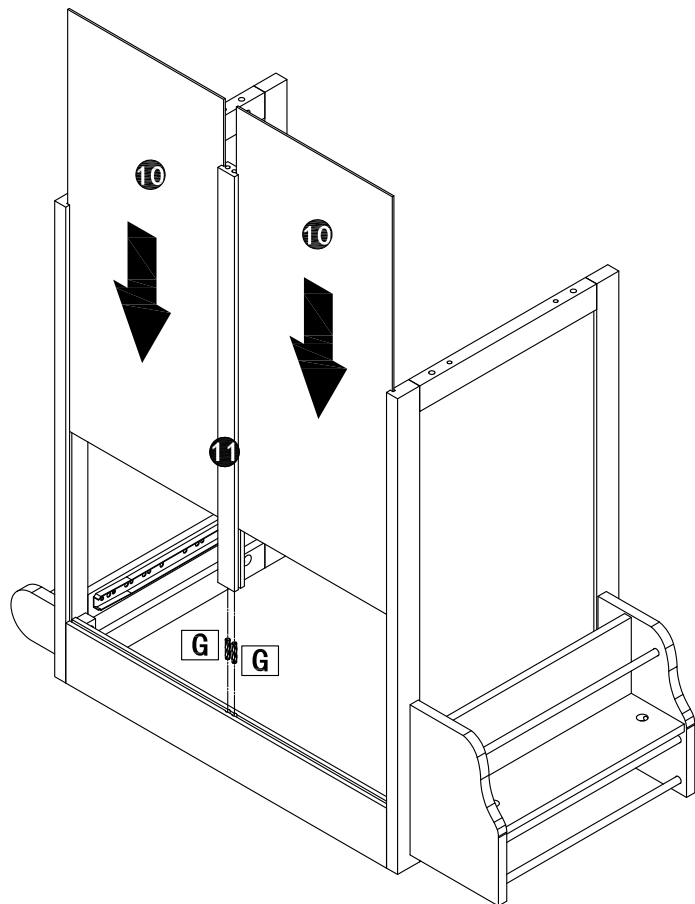
C x 2



M4X30mm



8

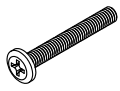



G x 2




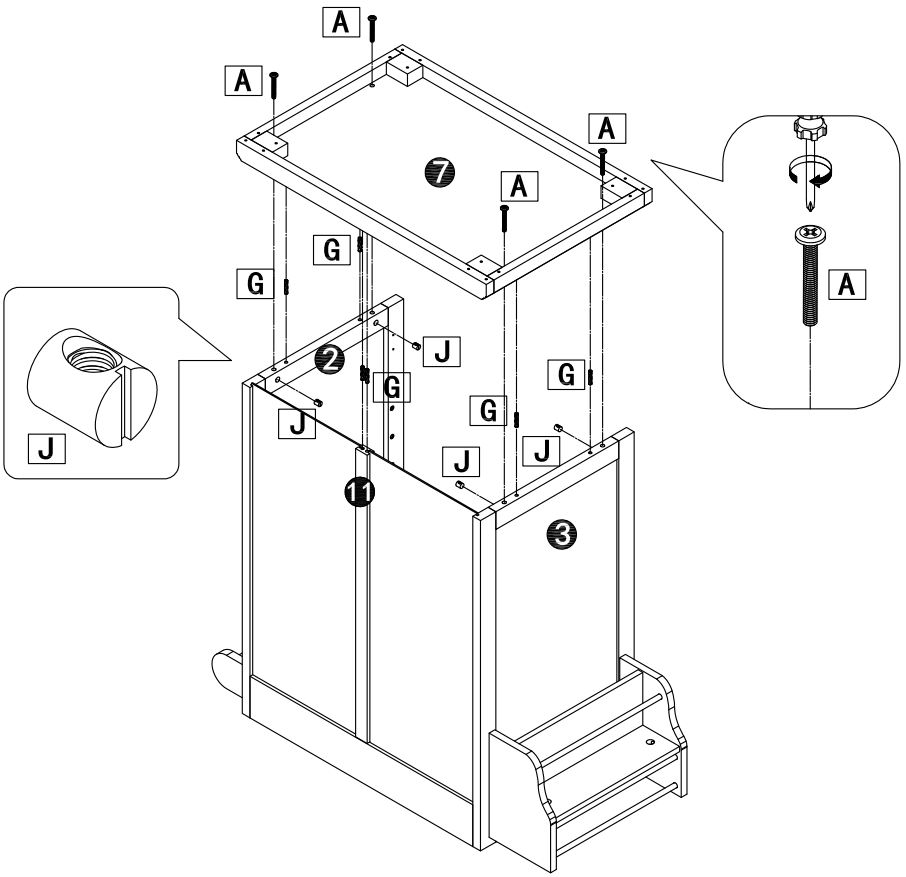
Ø6X30mm

9

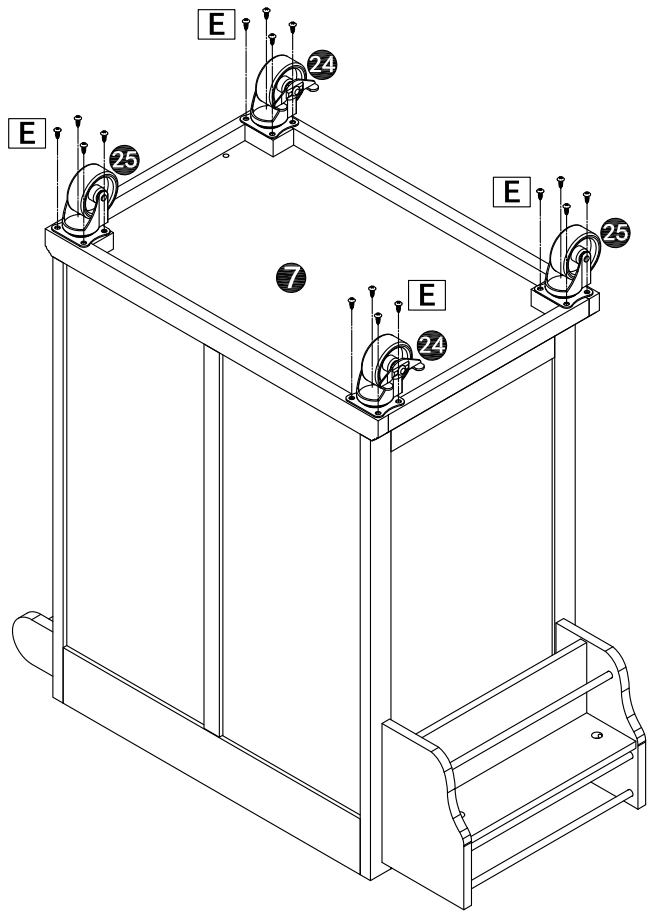
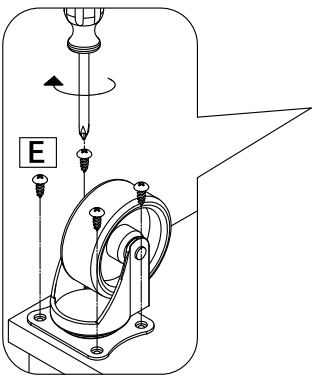
A	x 4
	
M6X40mm	

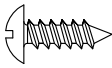
J	x 4
	

G	x 6
	
Ø6X30mm	

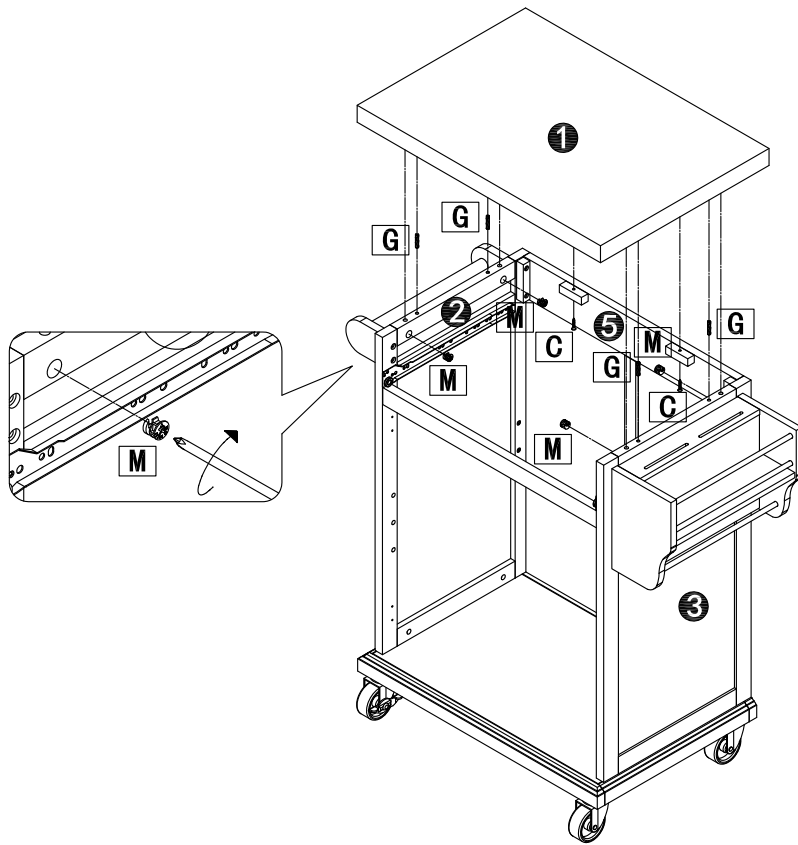
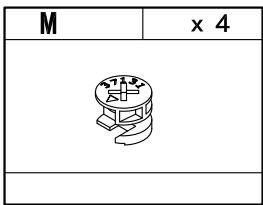
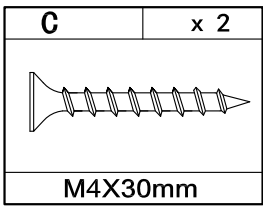
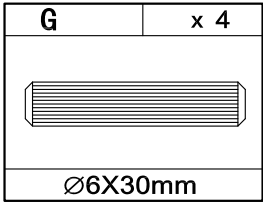


10

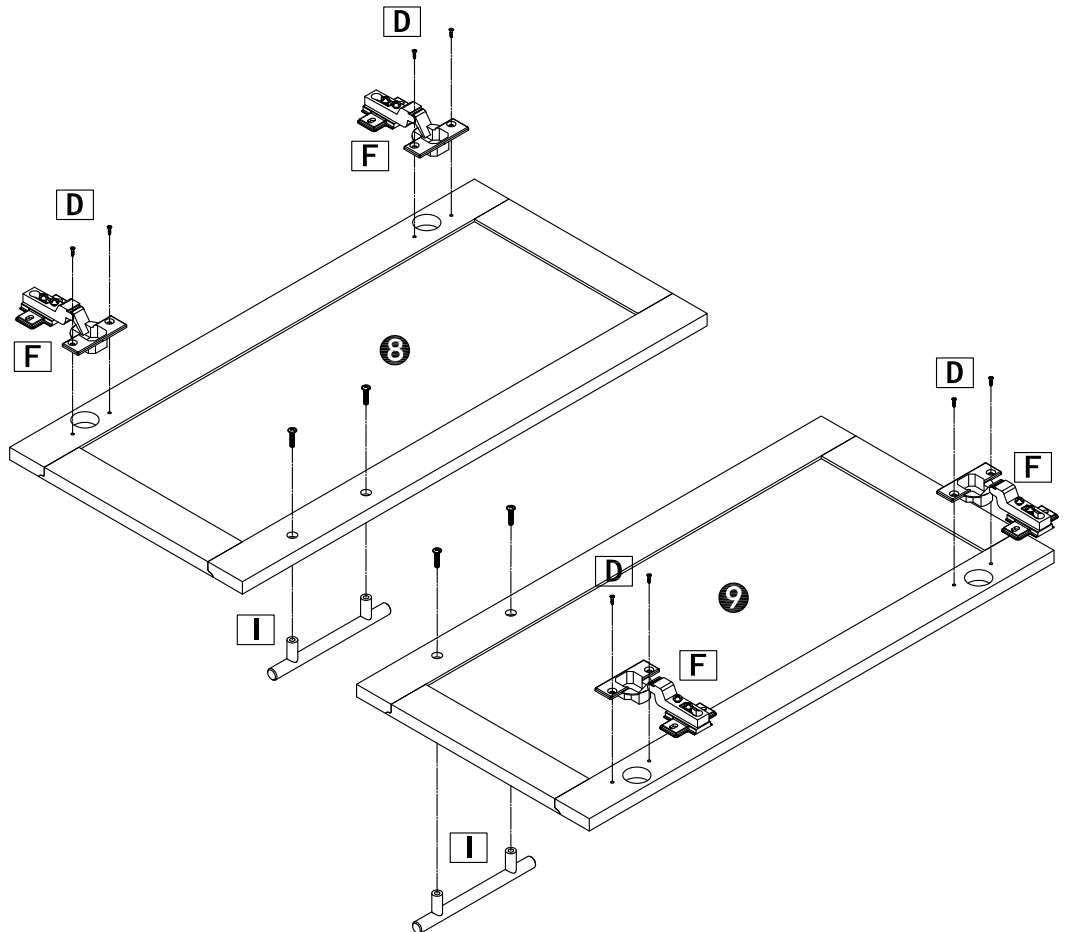
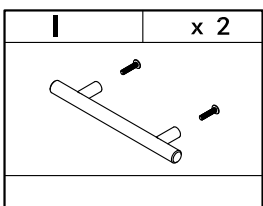
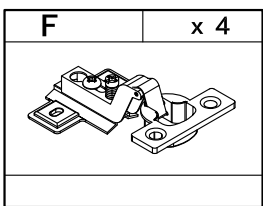
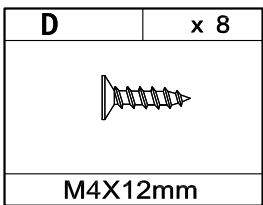


E	x 16
	
M5X15mm	

11

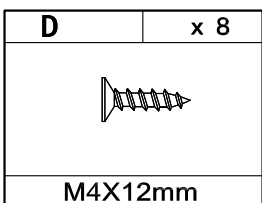
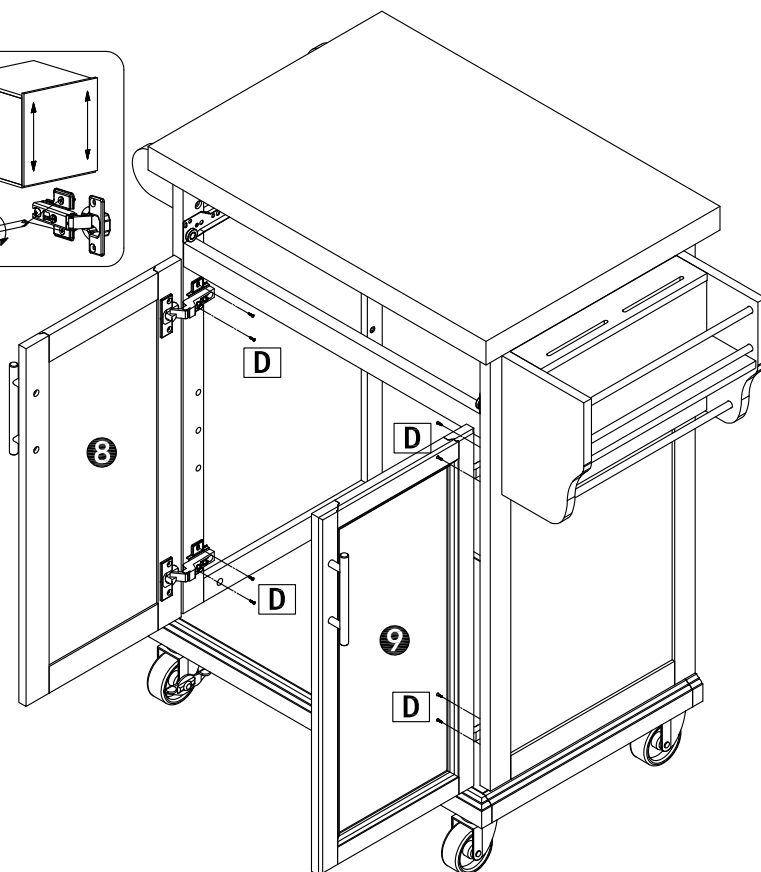
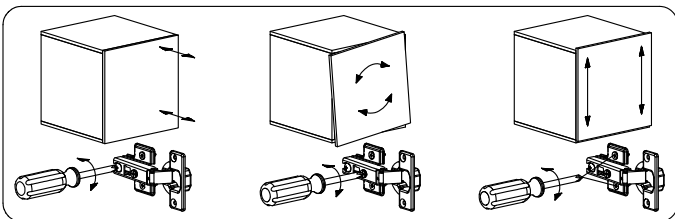


12

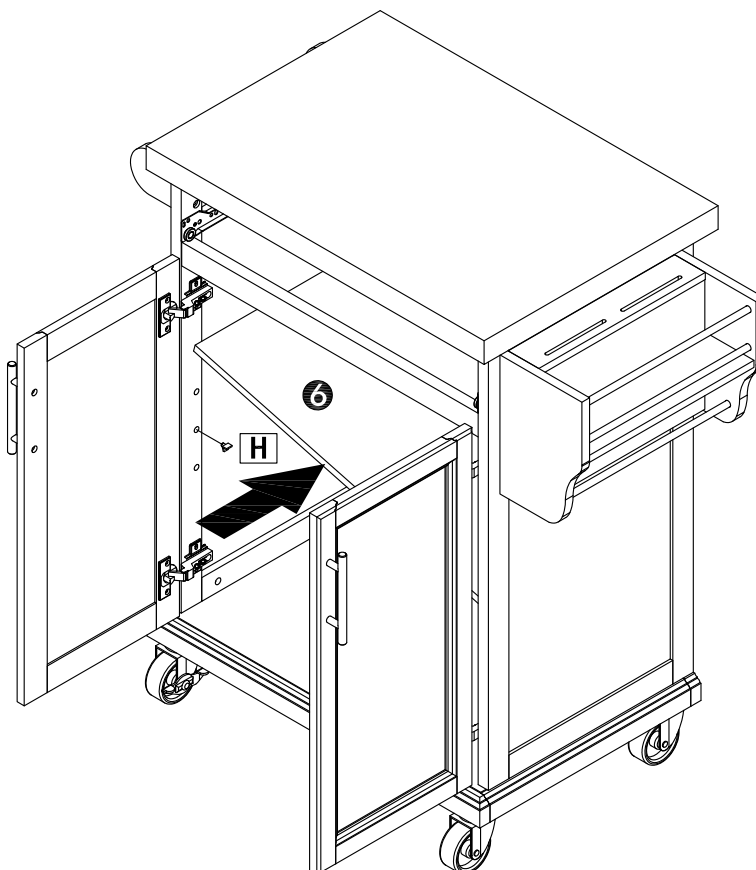
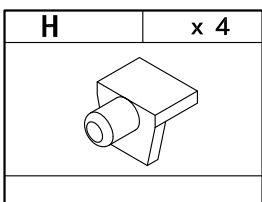




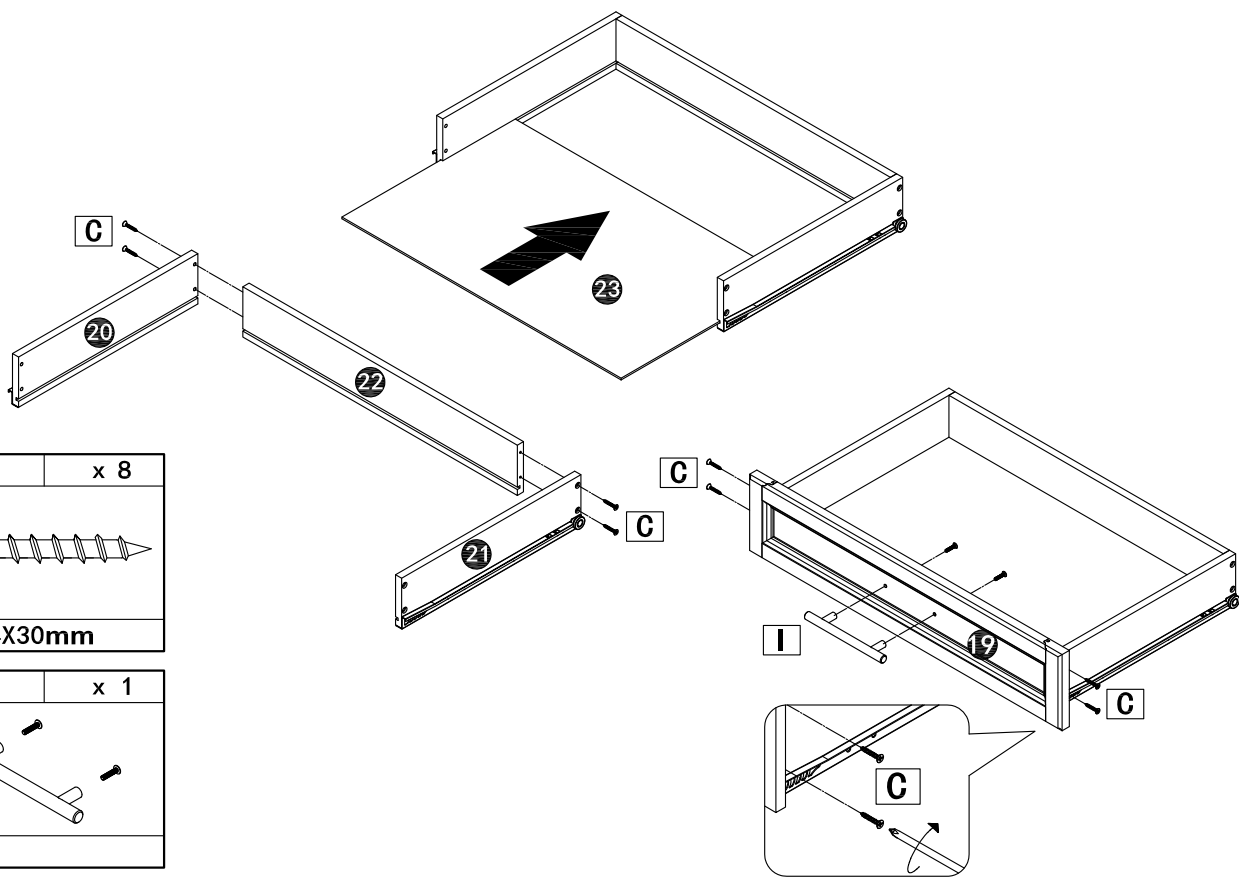
13



14



15



16

