

PARTS LIST

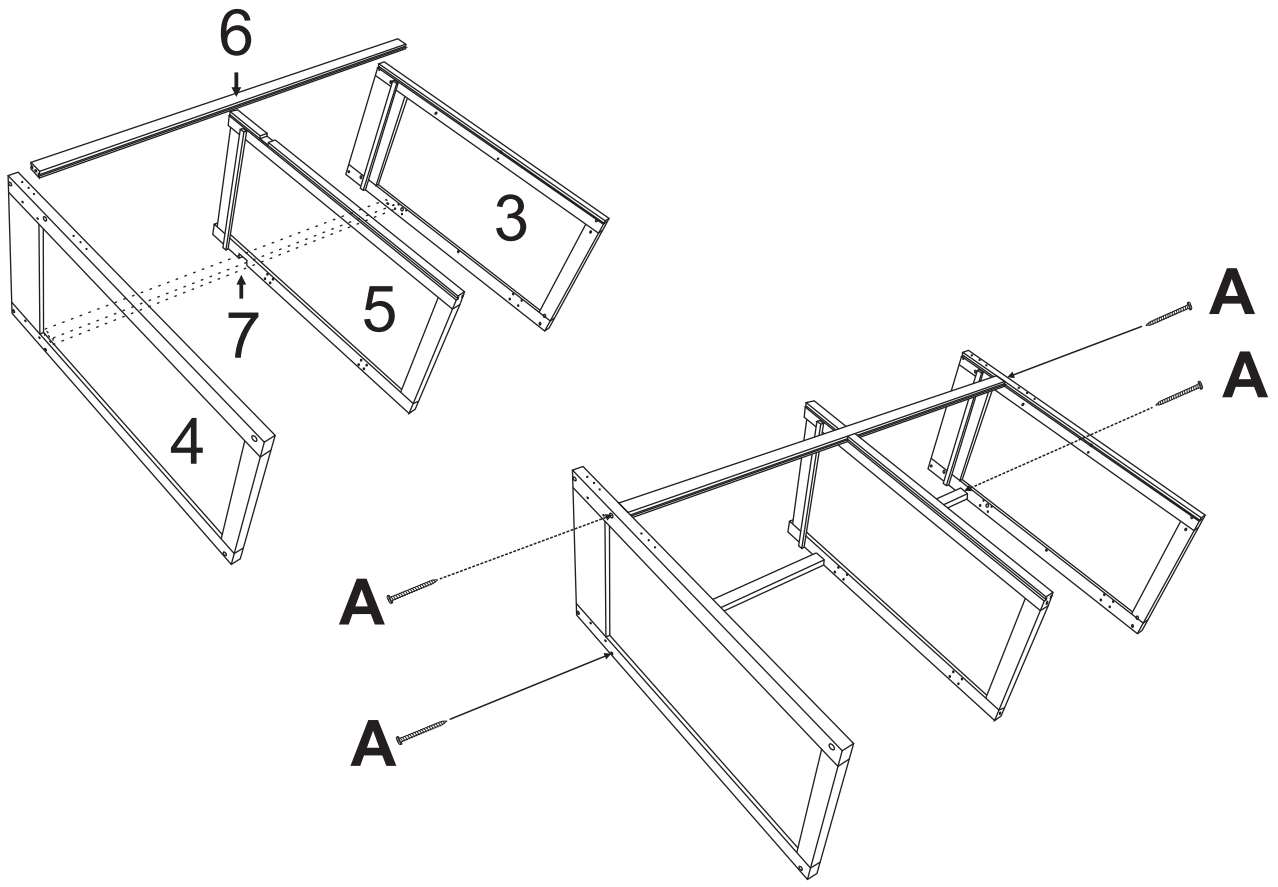
1 1pc	2 1pc	3 1pc	4 1pc	5 1pc
6 1pc	7 1pc	8 1pc	9 2pcs	10 2pcs
11 4pcs	12 4pcs	13-16 2sets	17 2pcs	18-22 1set
23-24 1set	25 1pc	26 1pc		

HARDWARE LIST

A Ø 5x50mm 14pcs	B Ø 4x40mm 16pcs	C Ø 3x25mm 16pcs	D 4pcs	E 2sets	F Ø 4x16mm 4pcs
G Ø 8x30mm 10pcs	H 8pcs	I 6pcs	J Ø 3x12mm 72pcs	K Ø 3x20mm 12pcs	L 10pcs
M Ø 4x16mm 16pcs	N 1pc	O 2pcs	P 2pcs		

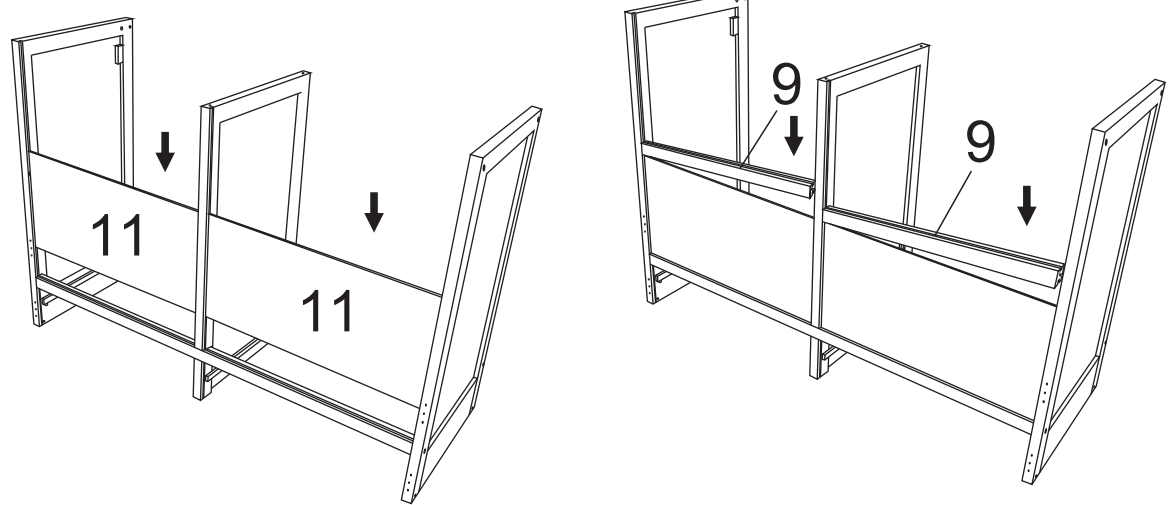
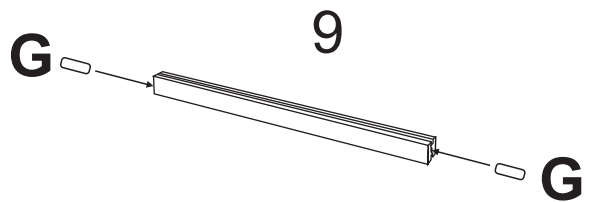
1

Ax4  



2

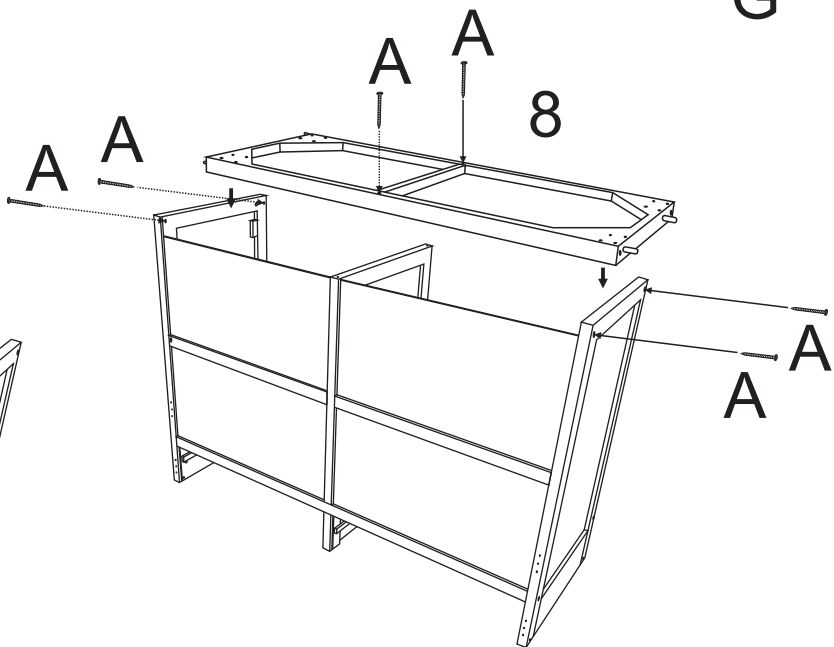
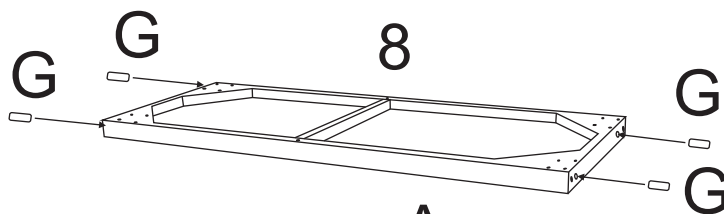
Gx4 



3

Ax6  


Gx4 

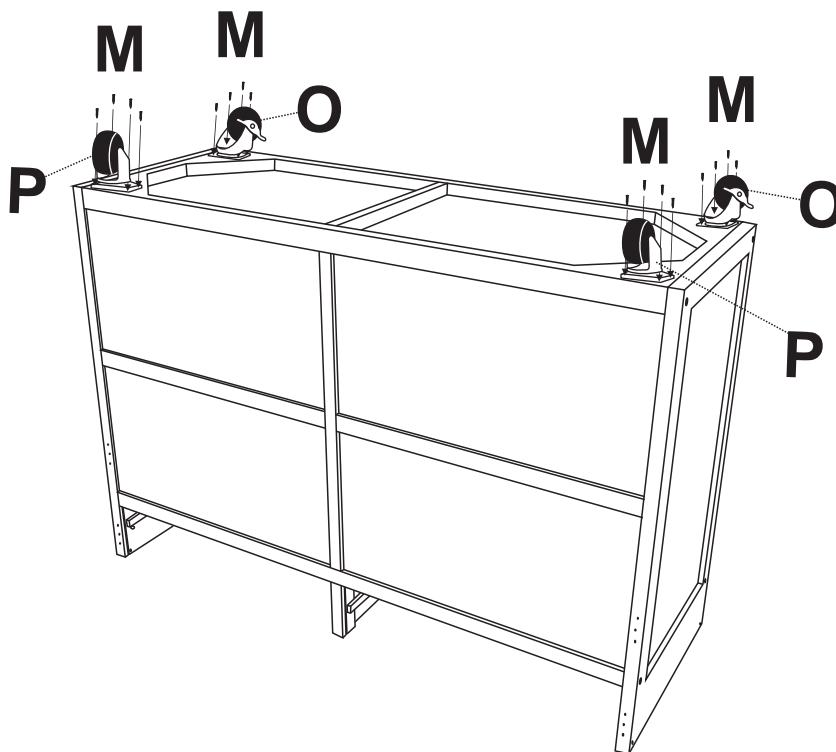


4

Mx16  

Ox2 


Px2 

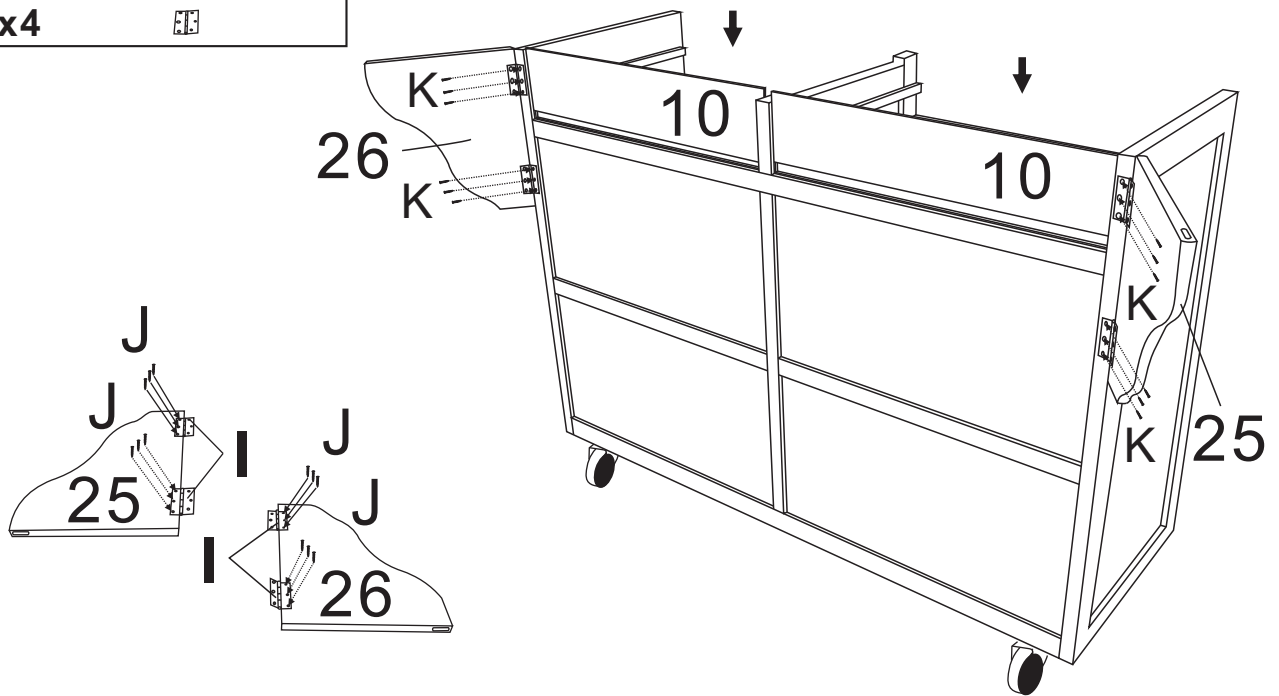


5


Jx12  

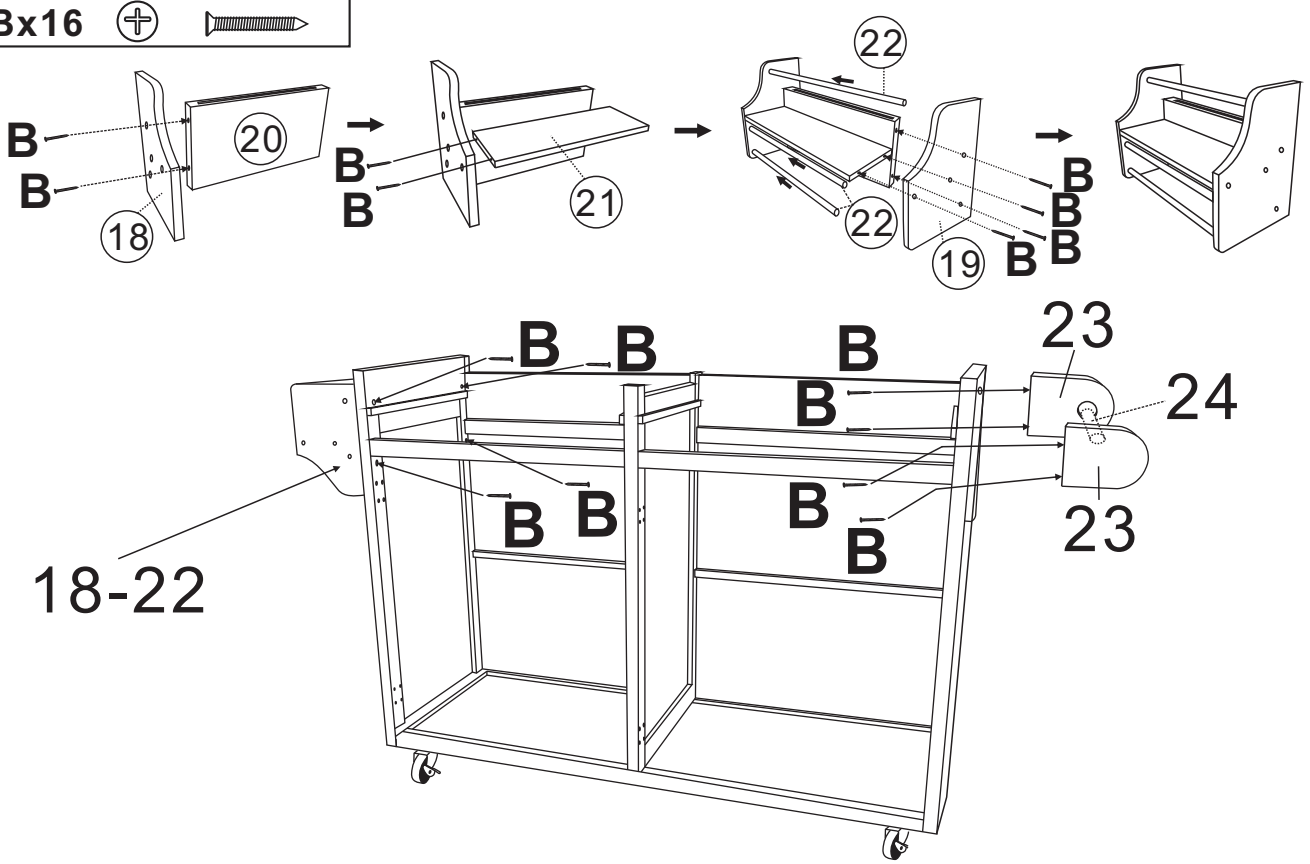
Kx12  

Ix4 



6

Bx16  




7

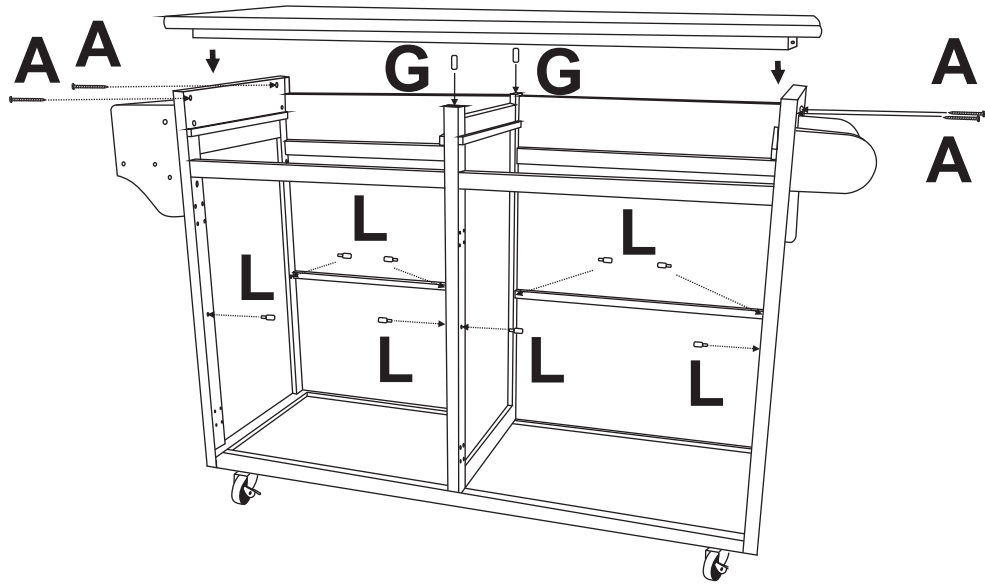
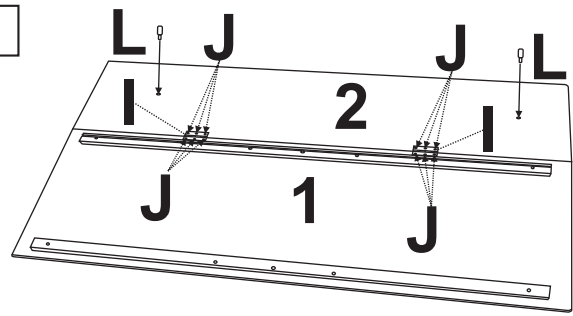
Jx12  

Gx2 

Ax4  

Ix2 


Lx10 



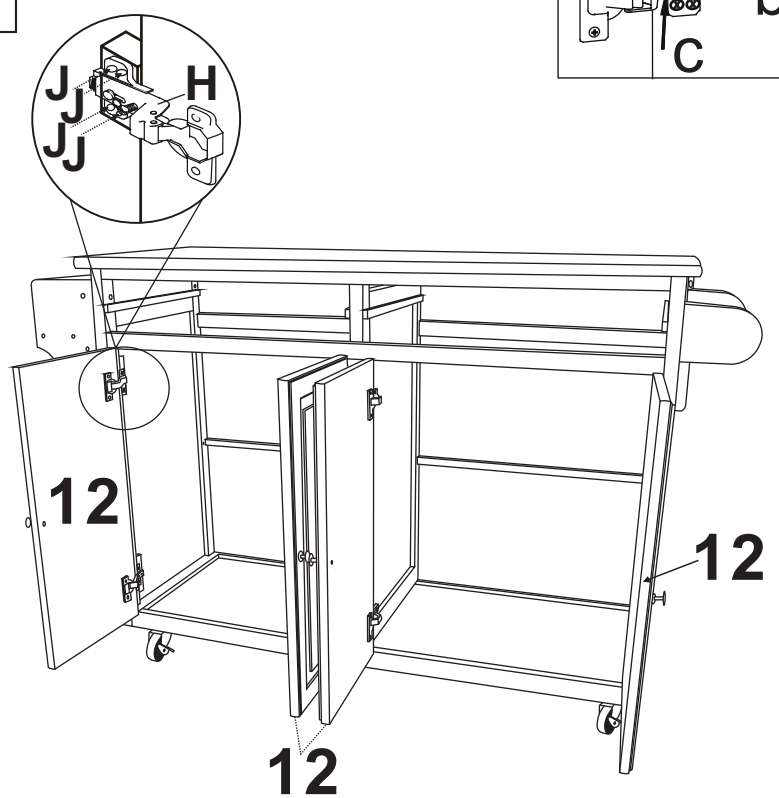
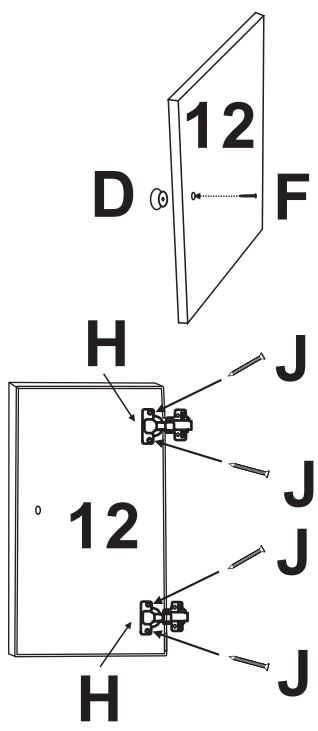
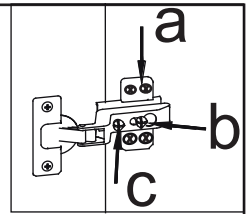
8

Jx48  

Dx4 

Hx8 

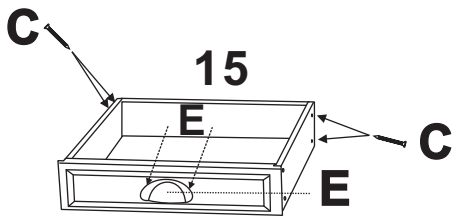
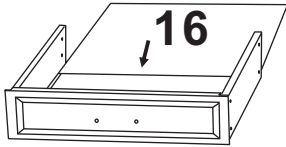
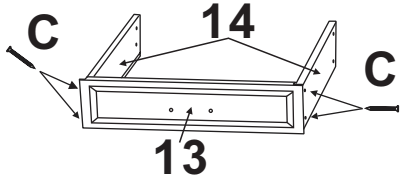
Fx4 



9

Cx16  

Ex2  



10

