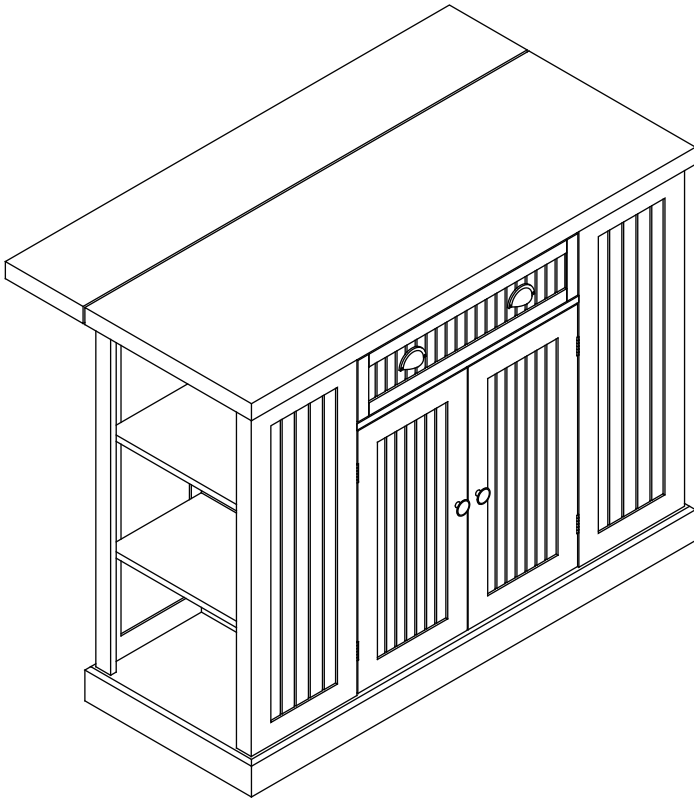


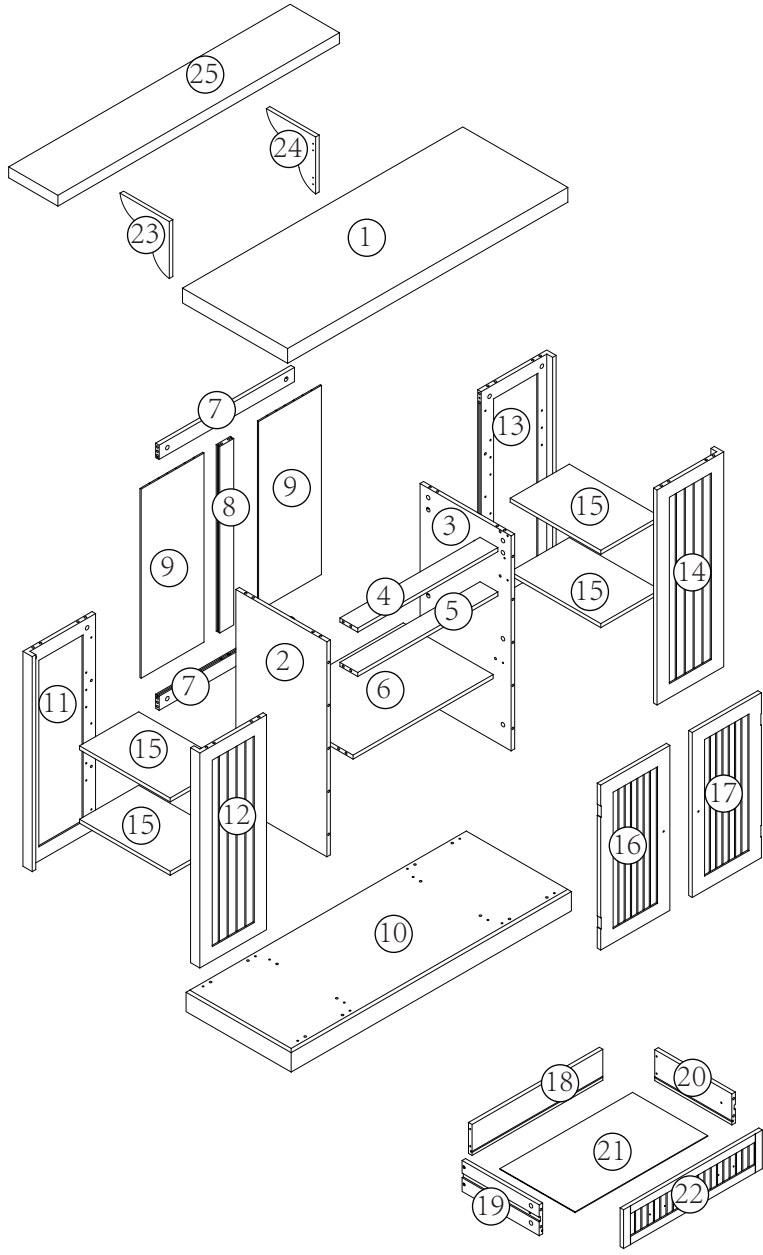
835-117

C000000



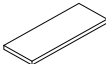





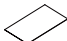



Please read these instructions and warranty information carefully before use and keep them properly for future reference.















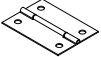



OPERATING INSTRUCTIONS



PACKING DETAILS:TOTAL 2 BOXES

BOX 1/2:





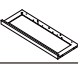
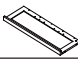
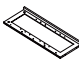
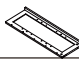
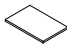
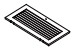





PART NO.	PARTS	QTY
1		x1
4		x1
5		x1
8		x1
9		x2
10		x1
21		x1
23		x1
24		x1
25		x1

PART NO.	PARTS	QTY
A		x52
B	 5X40mm	x16
C		x40
D		x40
E	 3.5X14mm	x46
F		x6
G		x1
H		x2
I		x8
J		x16
K		x2
L		x2
M	 7X9mm	x6
N		x2
O		x3
P	 4X12mm	x2
Q	 4X19mm	x2
R	 3X12mm	x2

This product is packed in 2 outer boxes. Please install it after all. Thank you!

PACKING DETAILS:TOTAL 2 BOXES

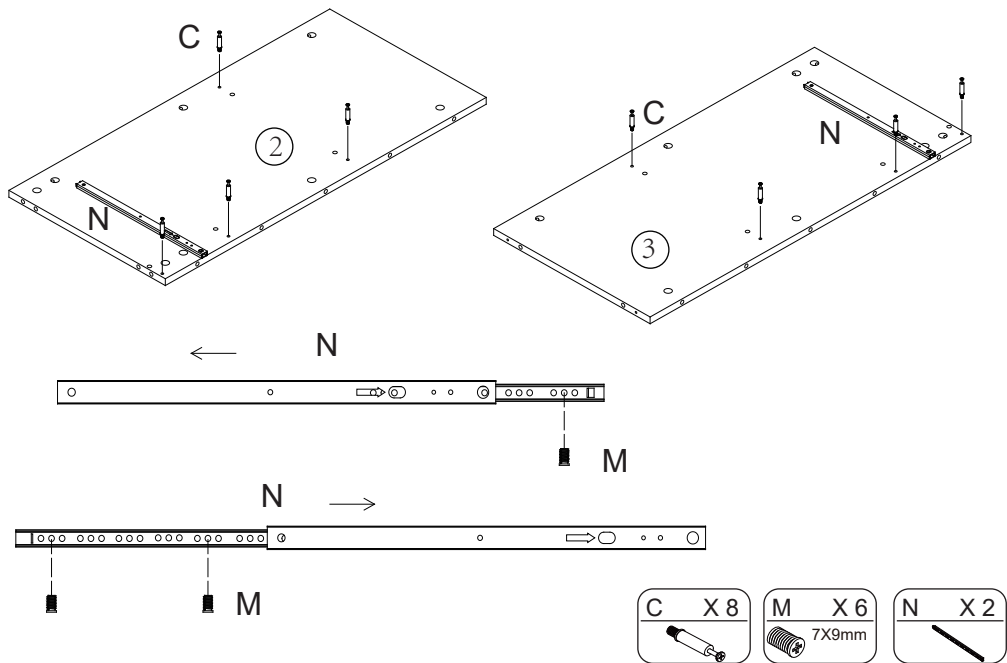
BOX 2/2:

PART NO.	PARTS	QTY
2		x1
3		x1
6		x1
7		x2
11		x1
12		x1
13		x1
14		x1
15		x4
16		x1
17		x1
18		x1
19		x1
20		x1
22		x1

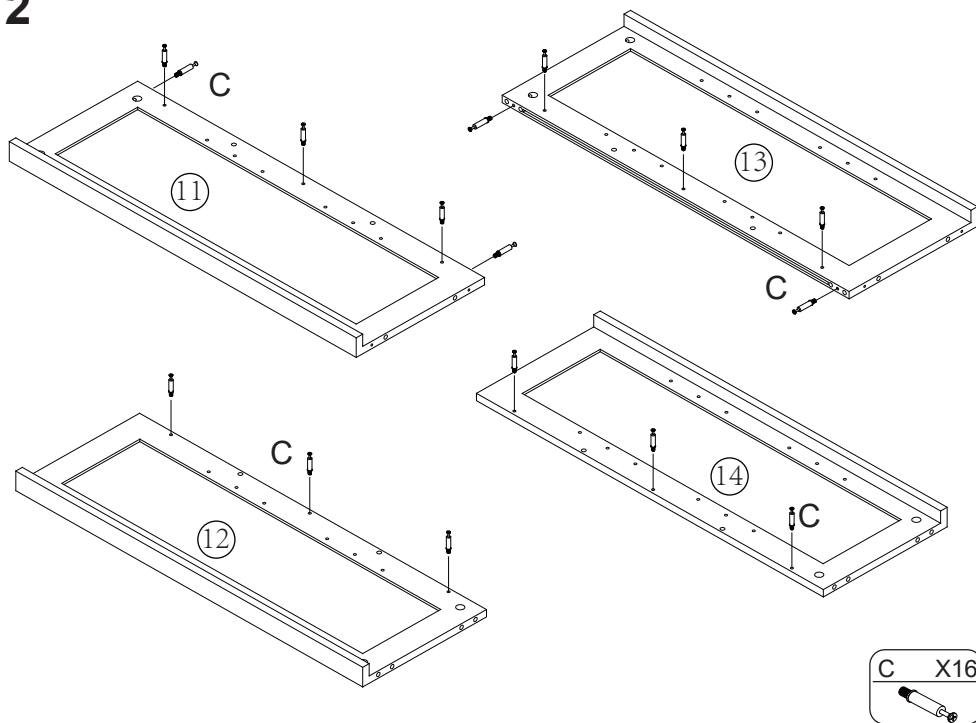
This product is packed in 2 outer boxes.Please install it after all.Thank you!

Assembly Instructions

1

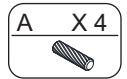
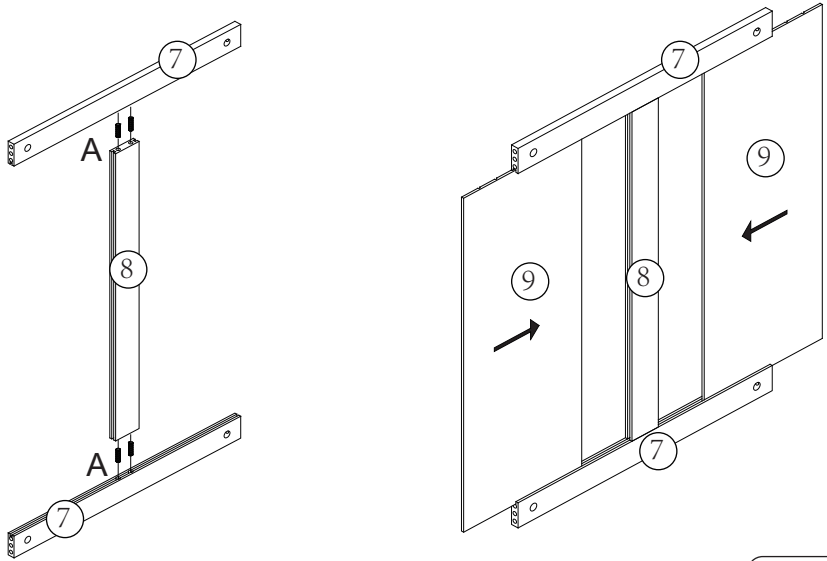


2

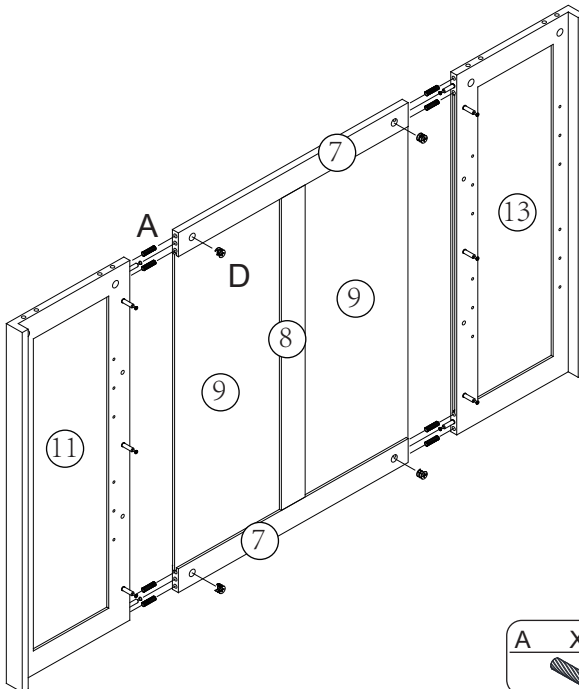


Assembly Instructions

3

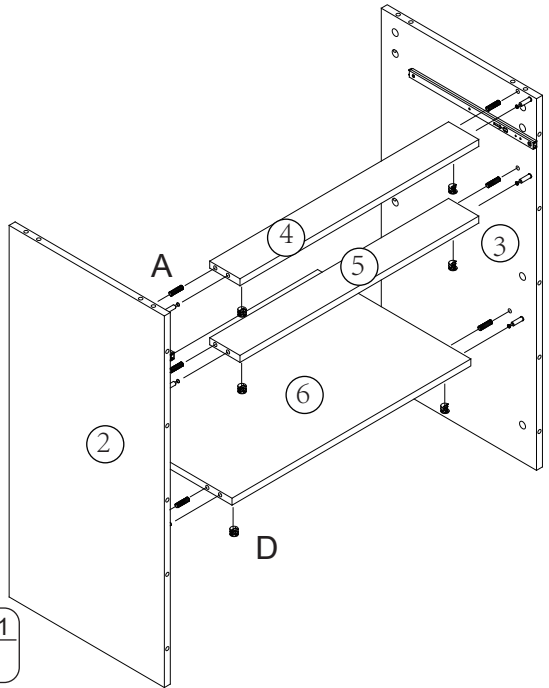
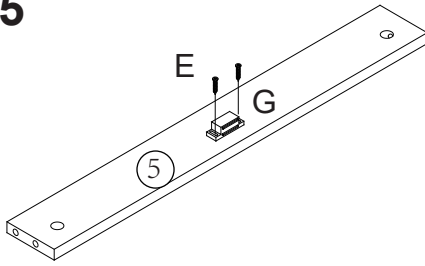


4



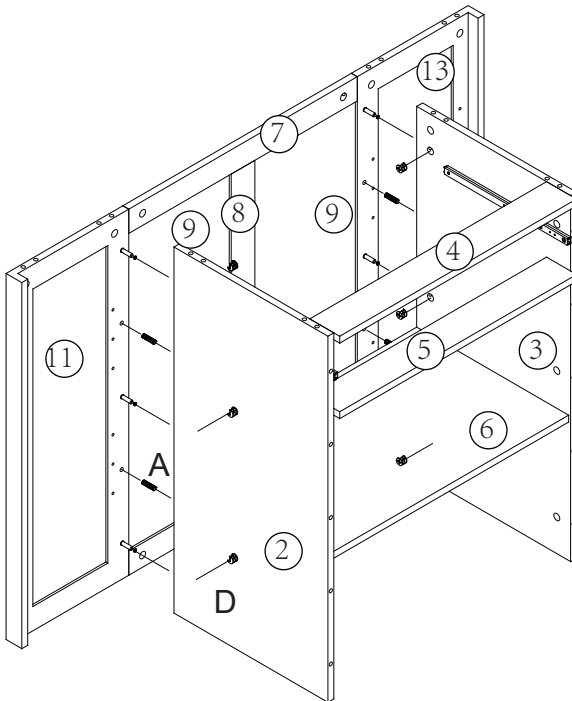
Assembly Instructions

5



A X 8	D X 8	E X 2 3.5X14mm	G X 1
			

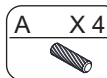
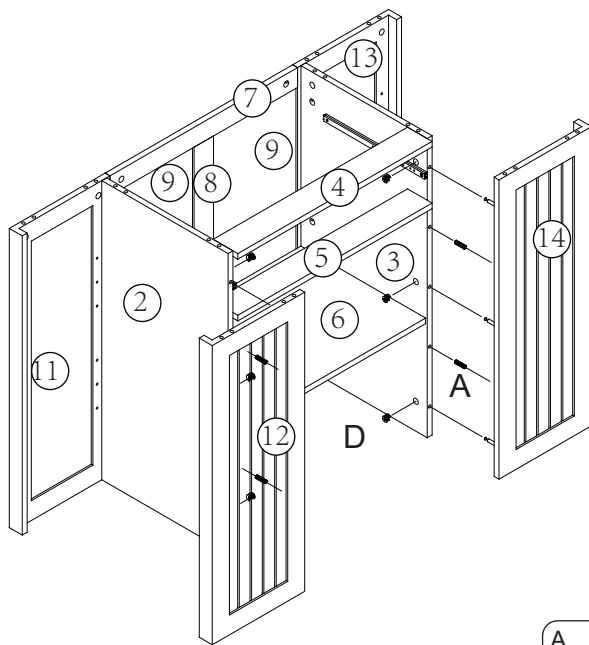
6



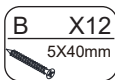
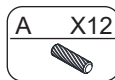
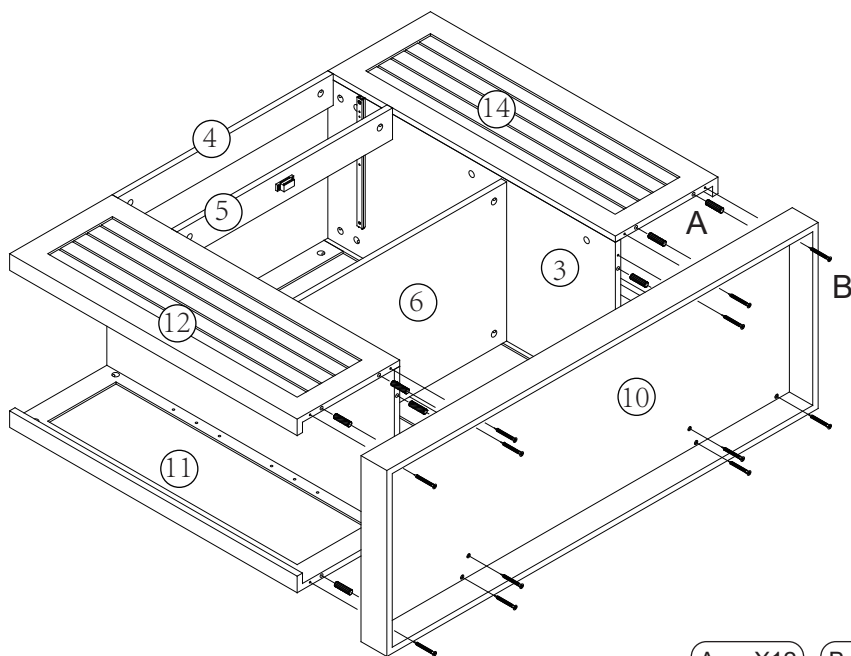
A X 4	D X 6
	

Assembly Instructions

7

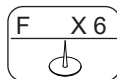
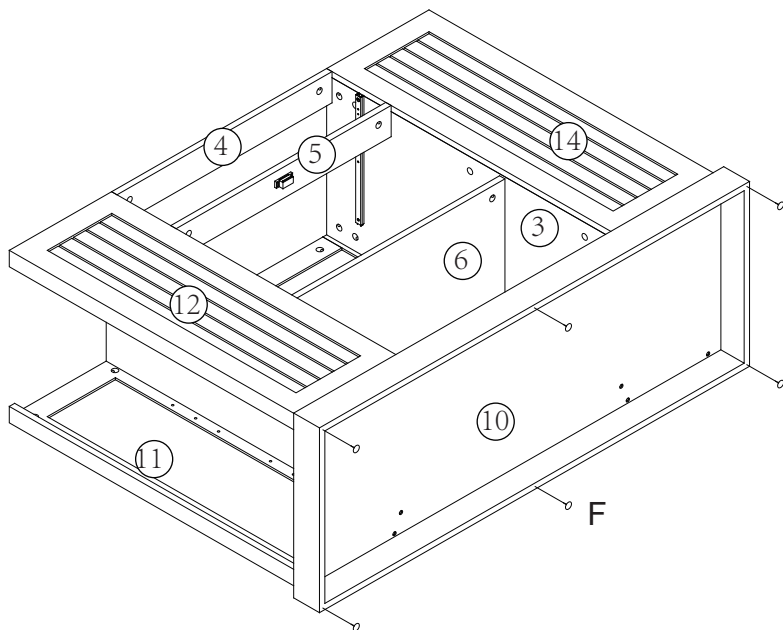


8

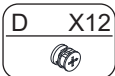
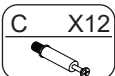
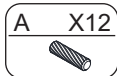
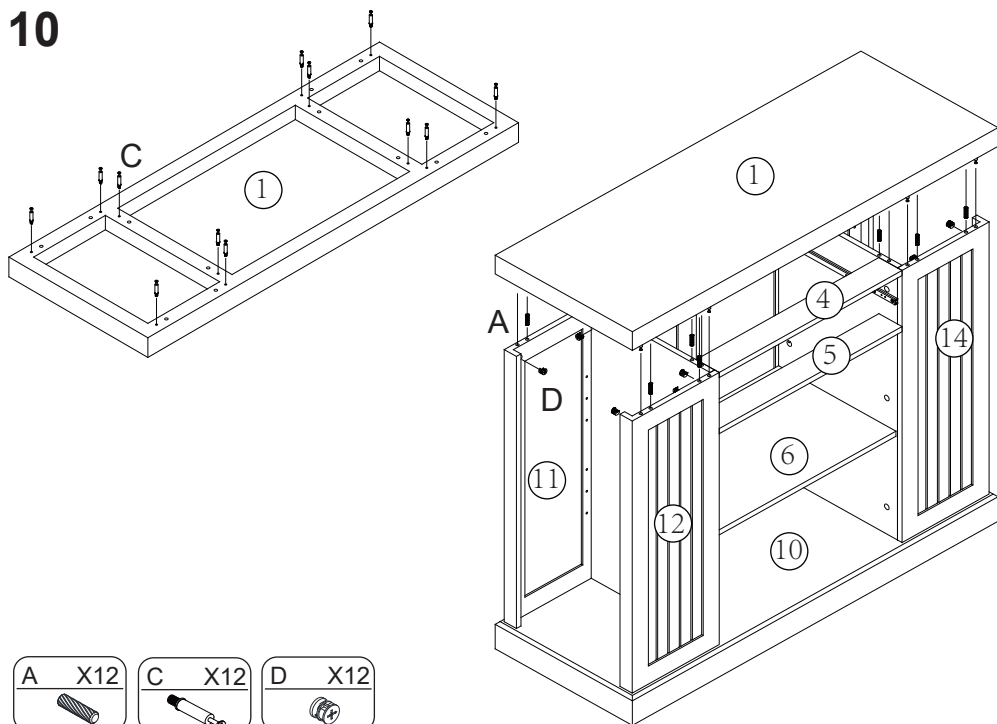


Assembly Instructions

9

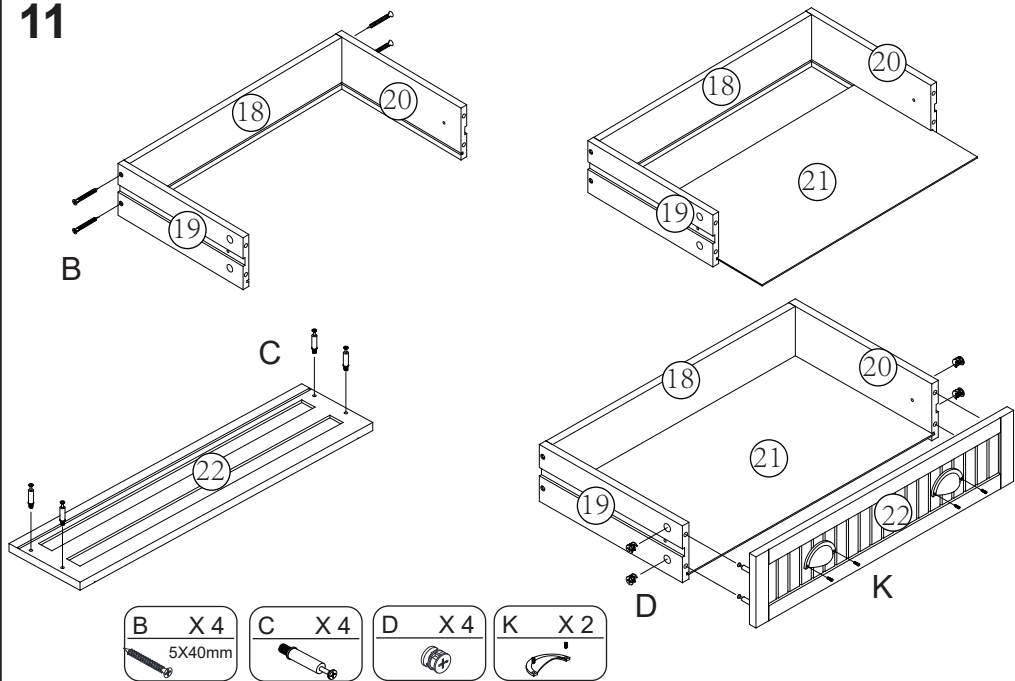


10

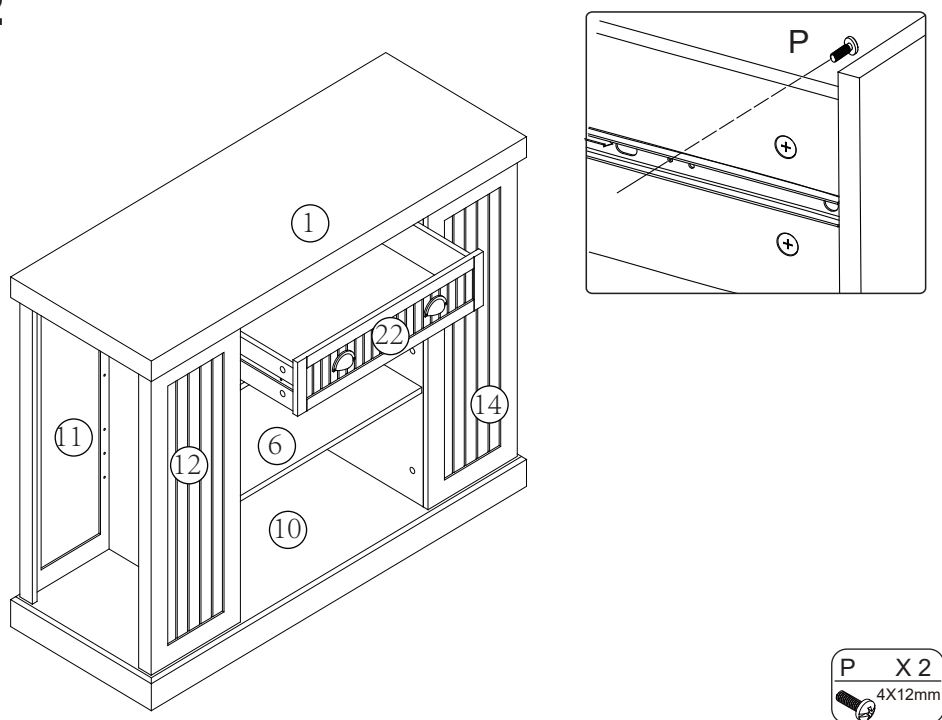


Assembly Instructions

11

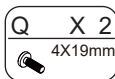
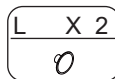
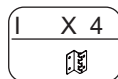
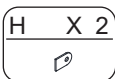
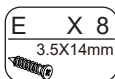
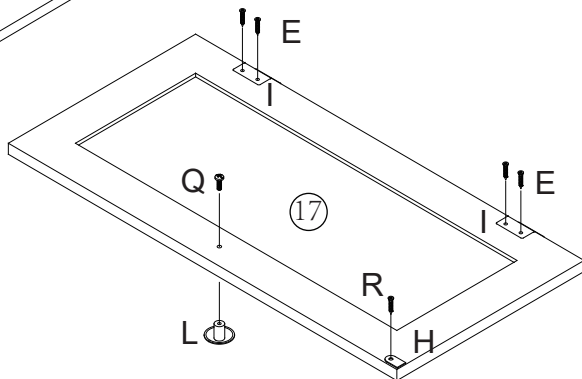
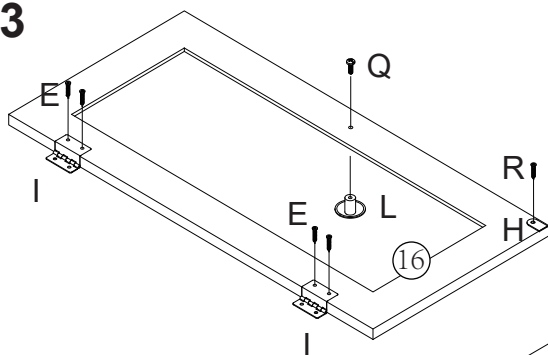


12

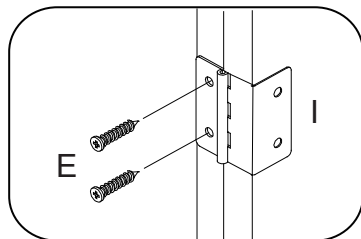
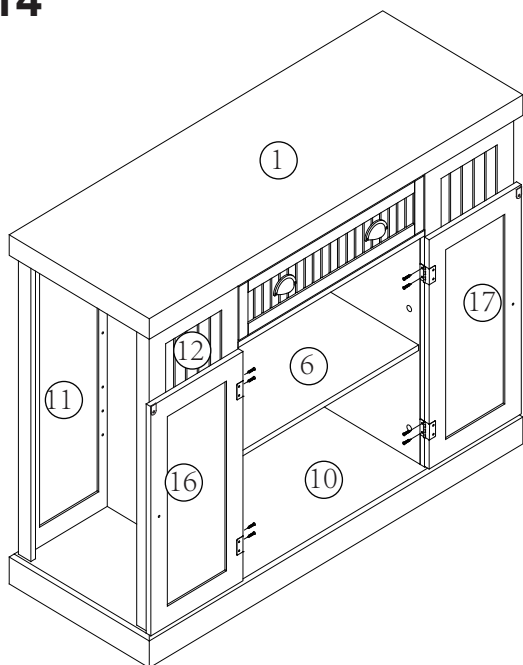


Assembly Instructions

13

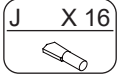
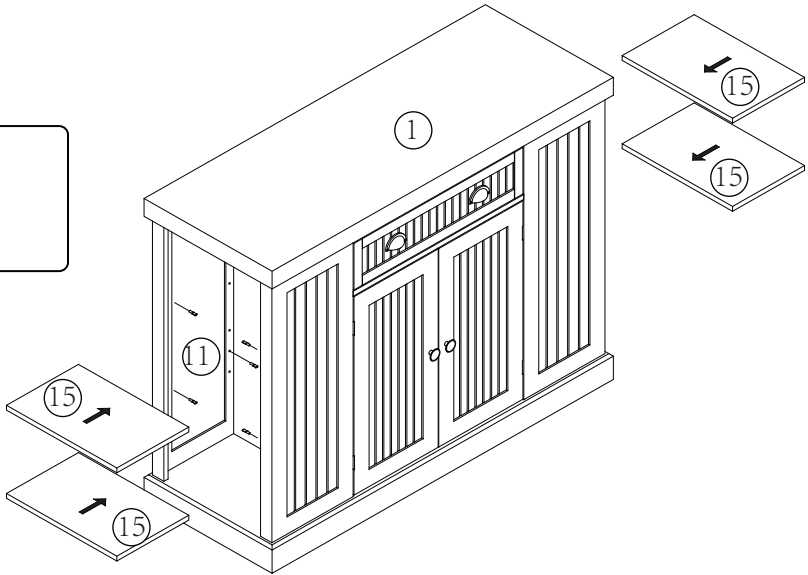
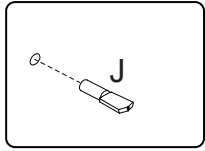


14

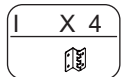
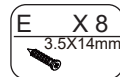
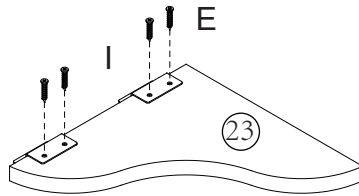
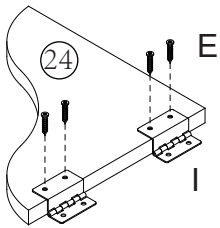


Assembly Instructions

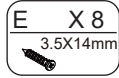
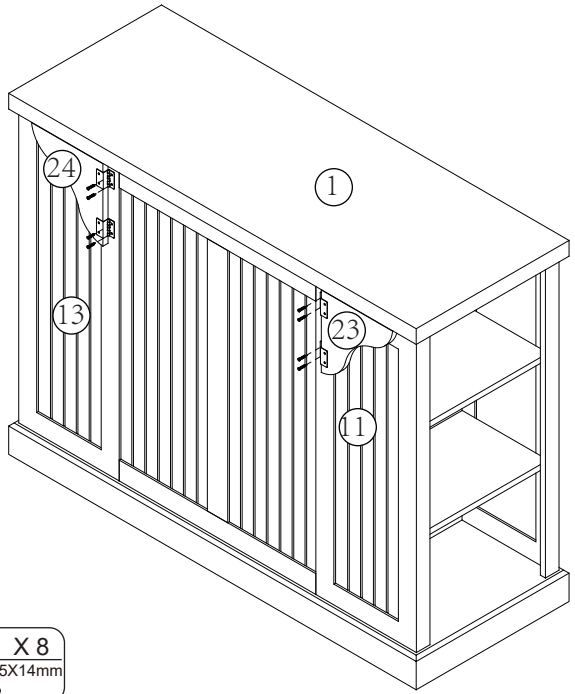
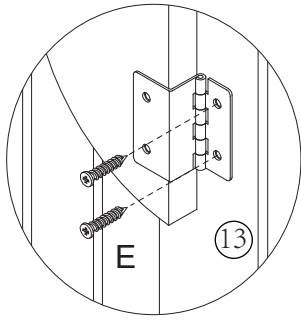
15



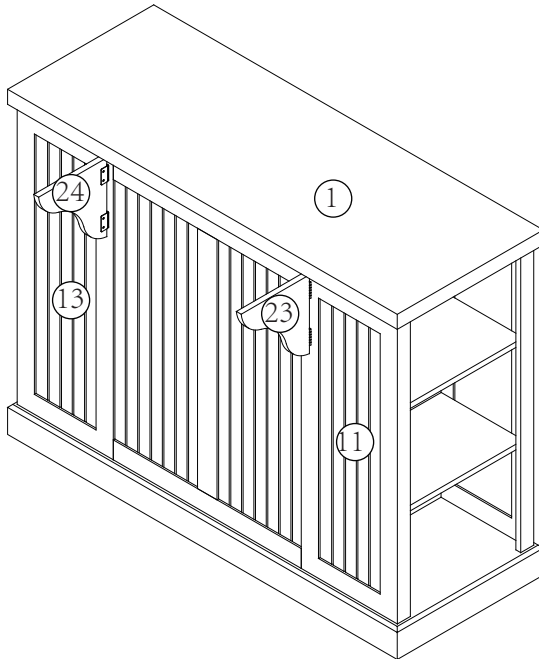
16



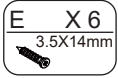
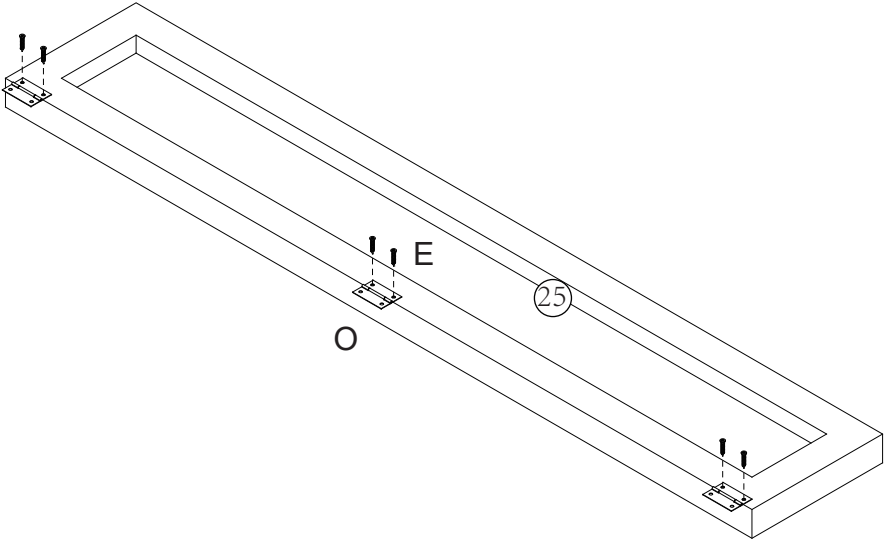
17



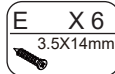
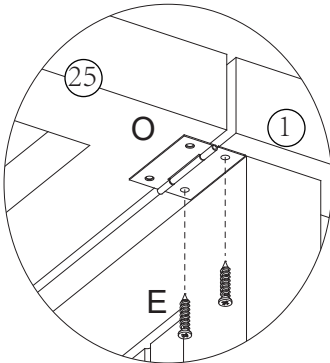
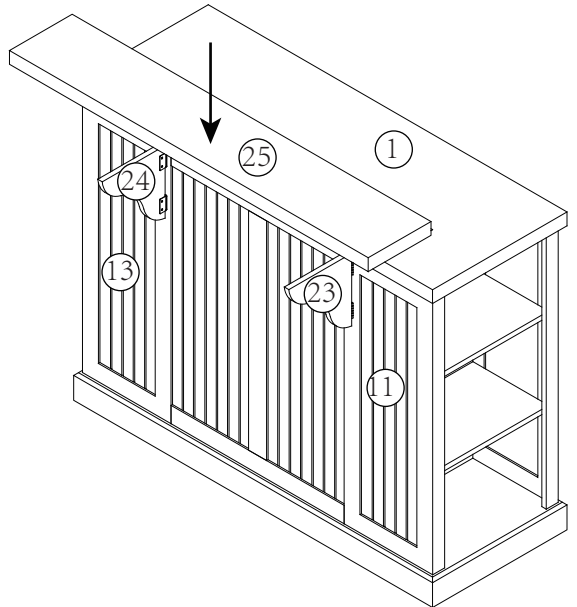
18



19



20



US



001-877-644-9366
customerservice@aosom.com

CA



001-855-537-6088
customerservice@aosom.ca

UK



0044-800-240-4004
enquiries@mhstar.co.uk

DE



0049-(0)40-88307530
service@aosom.de

FR



0033-1-84166106
contact@aosom.fr

ES



0034-931294512
atencioncliente@aosom.es

IT



0039-0249471447
clienti@aosom.it