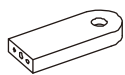


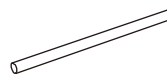
IMPORTANT, RETAIN FOR FUTURE REFERENCE: READ CAREFULLY

ASSEMBLY INSTRUCTION

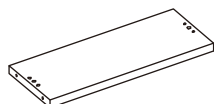
1 x 2



2 x 1



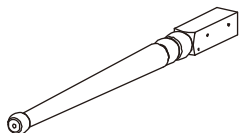
3 x 1



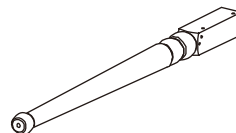
4 x 1



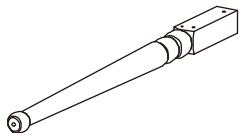
5 x 1



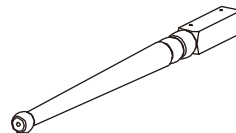
6 x 1



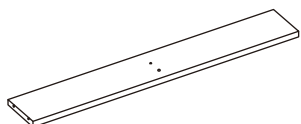
7 x 1



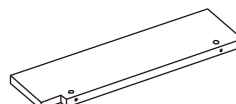
8 x 1



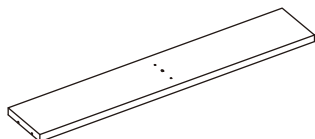
9 x 1



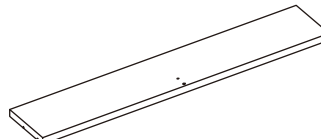
10 x 1



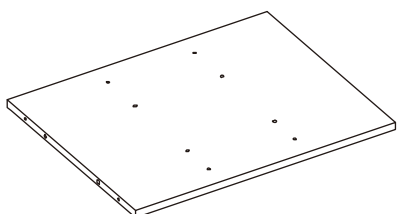
11 x 1



12 x 1



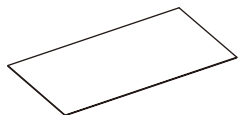
13 x 1



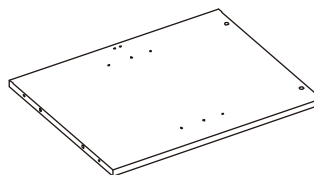
14 x 1



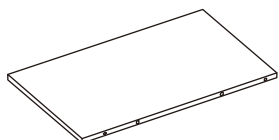
15 x 2



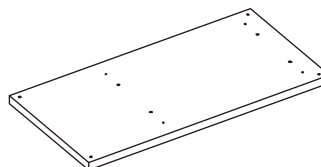
16 x 1



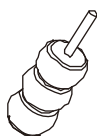
17 x 2



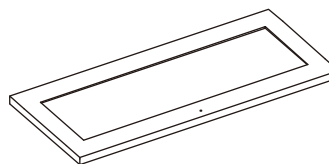
18 x 1



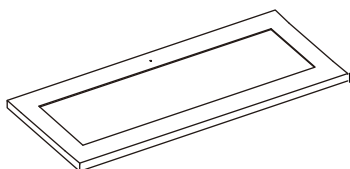
19 x 4



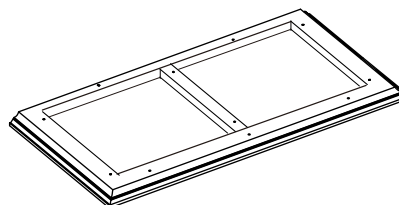
20 x 1



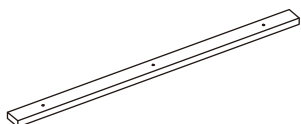
21 x 1



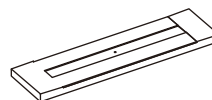
22 x 1



23 x 1



24 x 2



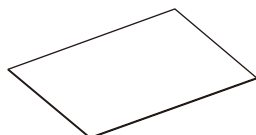
25 x 2



26 x 2



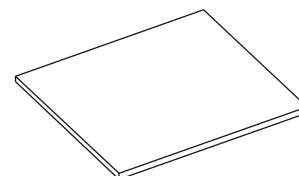
27 x 2

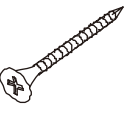

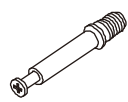

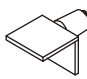
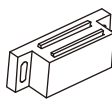
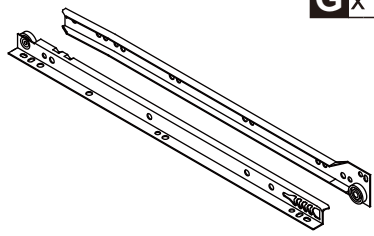
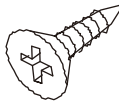
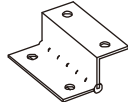
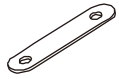

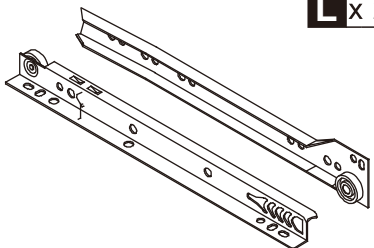


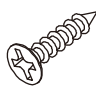
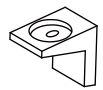



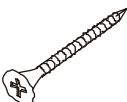


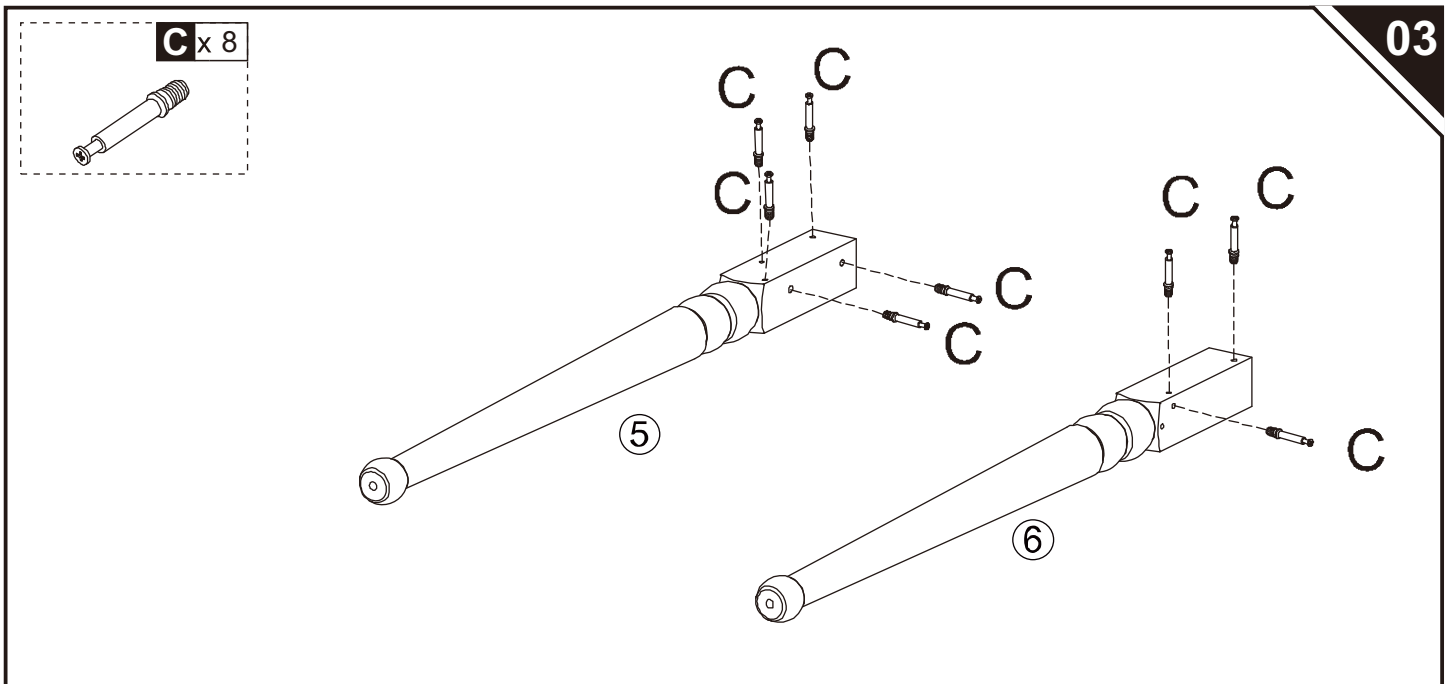
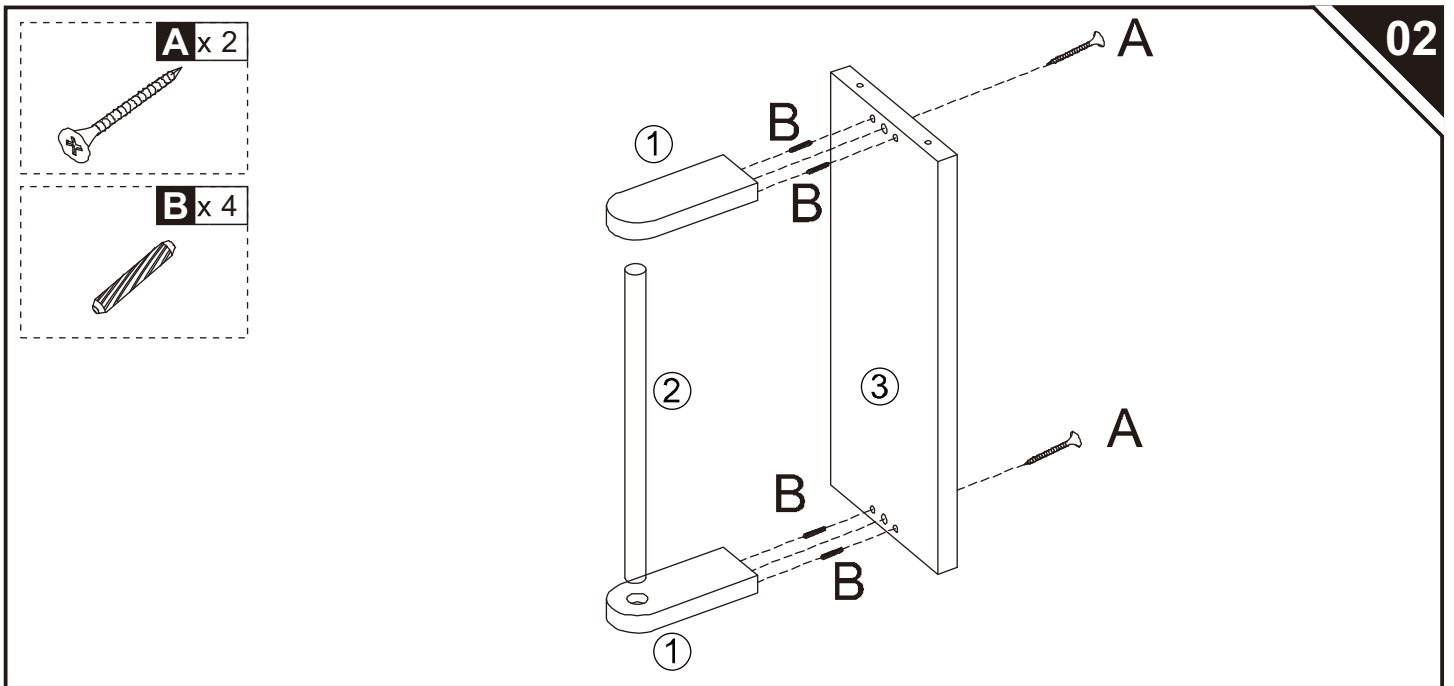
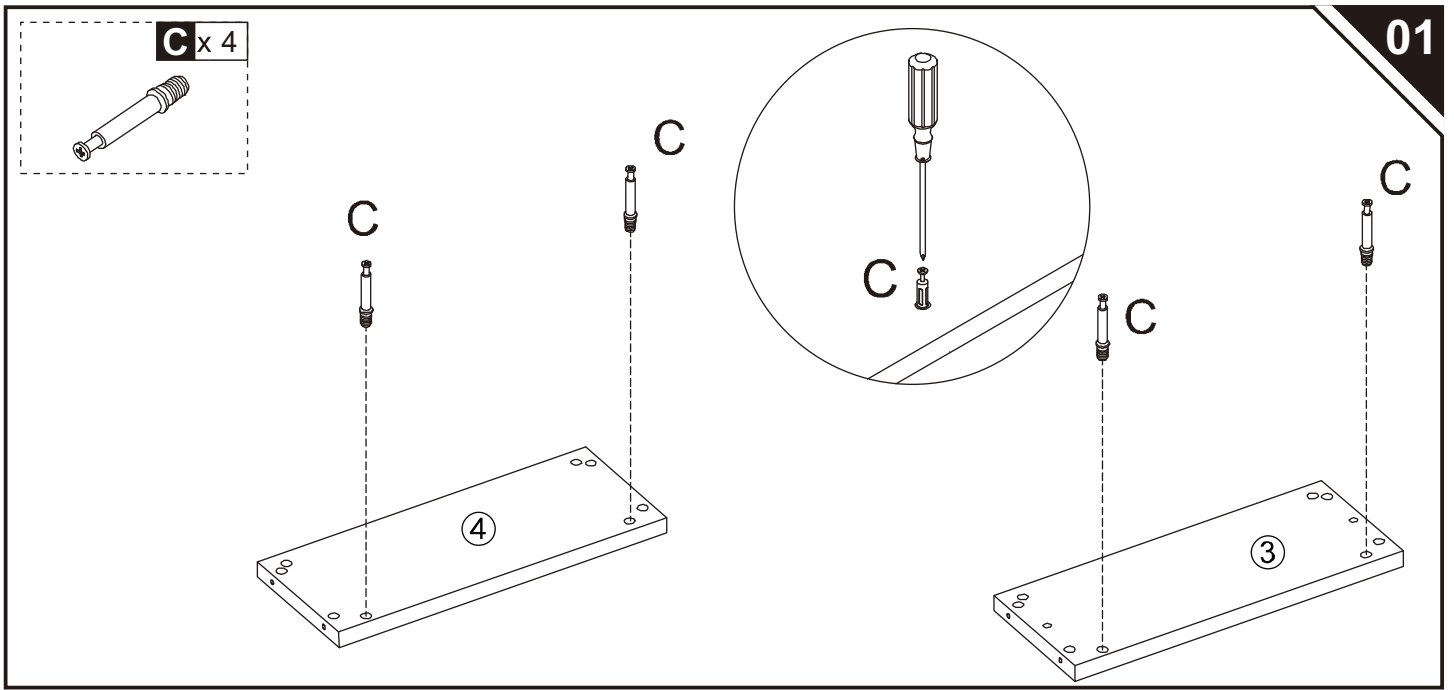
28 x 2



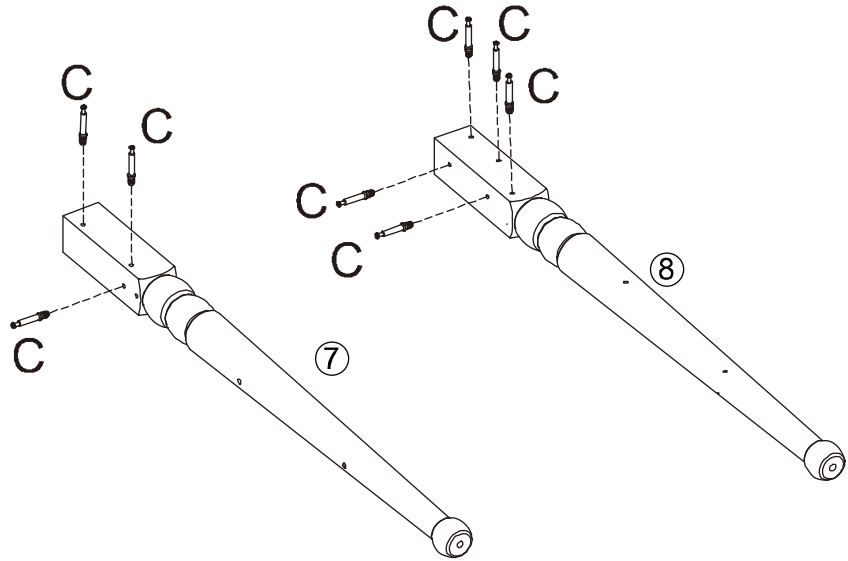
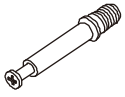
29 x 1



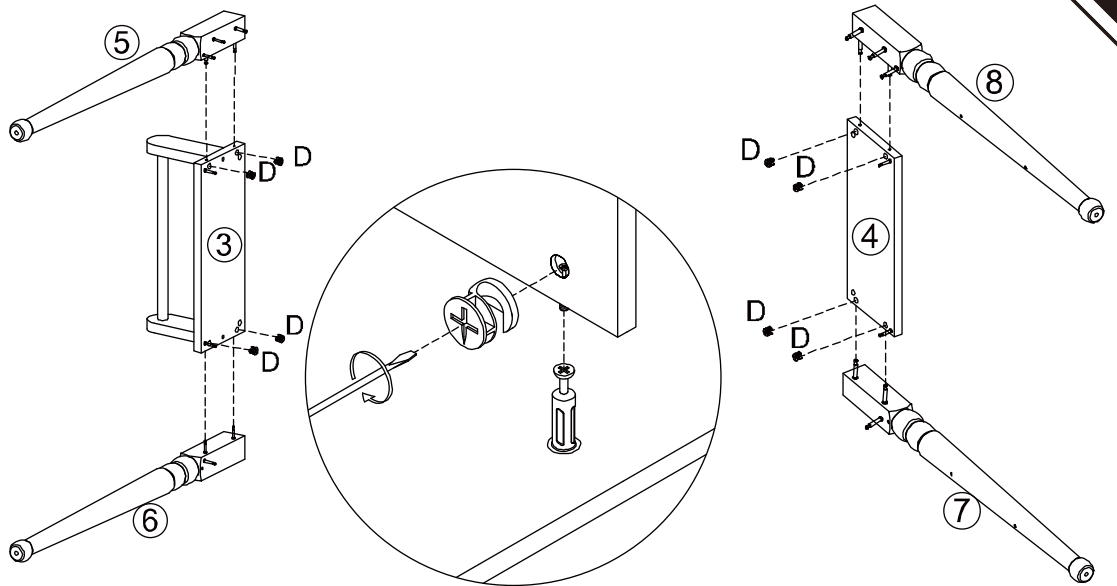
 <p>A x25 (+1)spare</p>	 <p>B x26 (+1)spare</p>	 <p>C x40 (+2)spare</p>
<p>M4*35</p>  <p>D x40 (+2)spare</p>	 <p>E x 8</p>	 <p>F x 4</p>
 <p>G x 2</p>	 <p>H x44 (+2)spare</p>	 <p>I x 4</p>
 <p>J x 4</p>	<p>M3*12</p>  <p>K x 4 (+1)spare</p>	 <p>L x 2</p>
 <p>M x 4</p>	<p>M4*16</p>  <p>N x 3 (+1)spare</p>	 <p>O x16 (+1)spare</p>
 <p>P x 8</p>	<p>M4*25</p>  <p>Q x 2</p>	<p>M3*14</p>  <p>R x 4 (+1)spare</p>
 <p>S x 2 (+1)spare</p>	 <p>T x 2 (+1)spare</p>	<p>M3*25</p>



C x 8



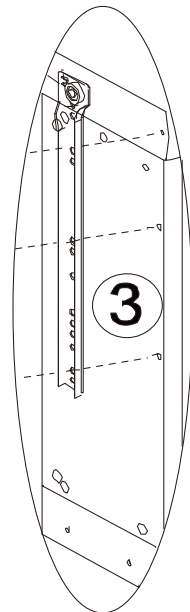
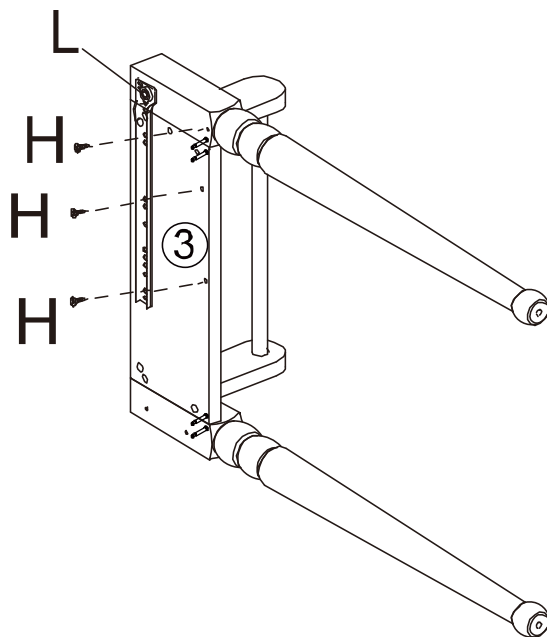
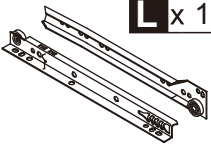
D x 8



H x 3



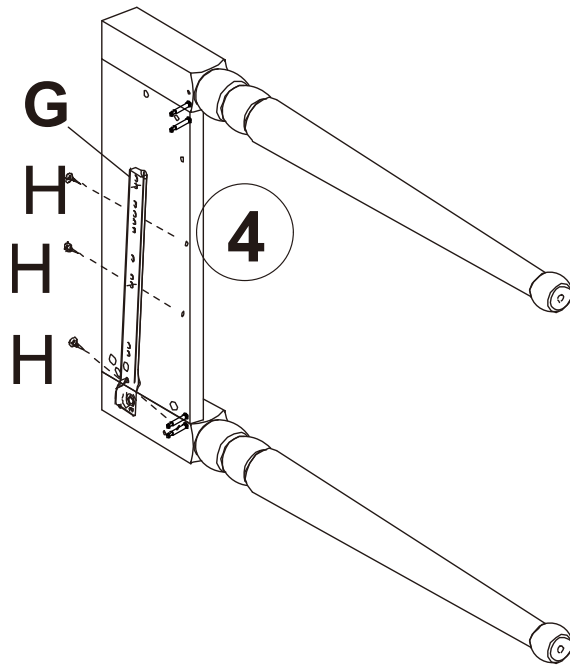
L x 1



G x 1



H x 3



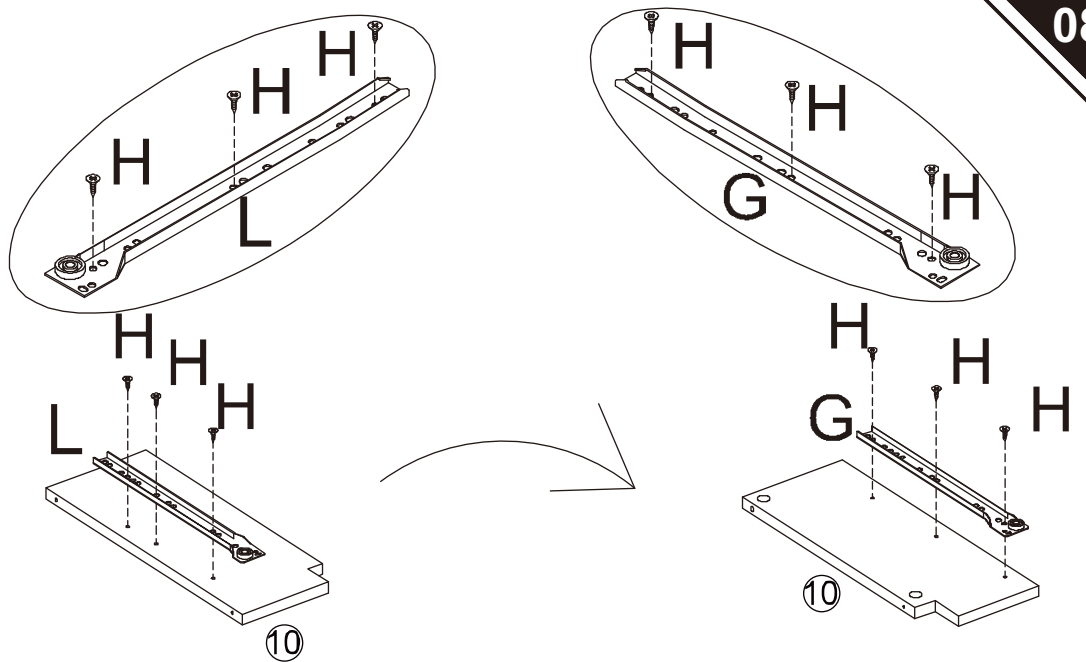
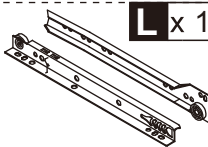
G x 1



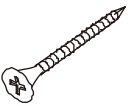
H x 6



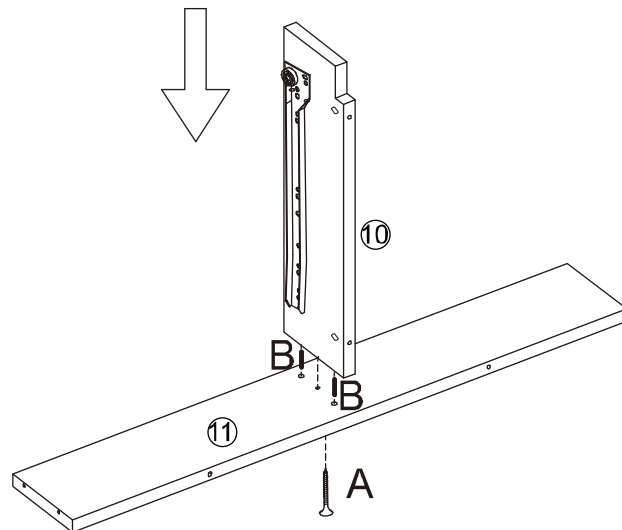
L x 1



A x 1

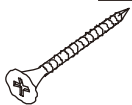


B x 2

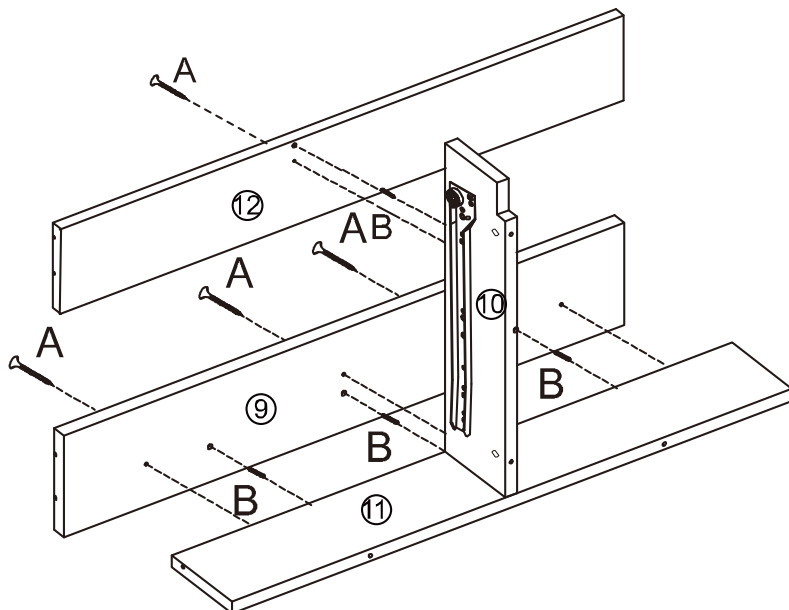


10

A x 4

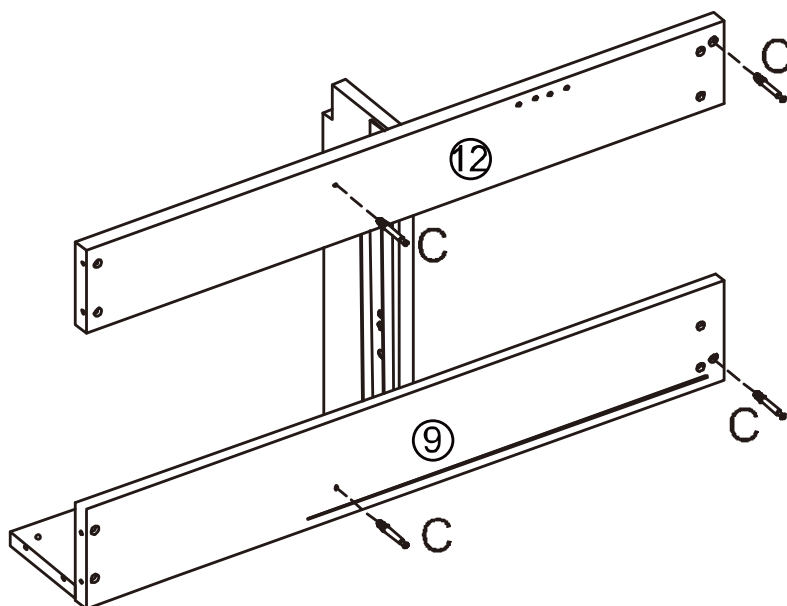
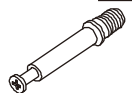


B x 4



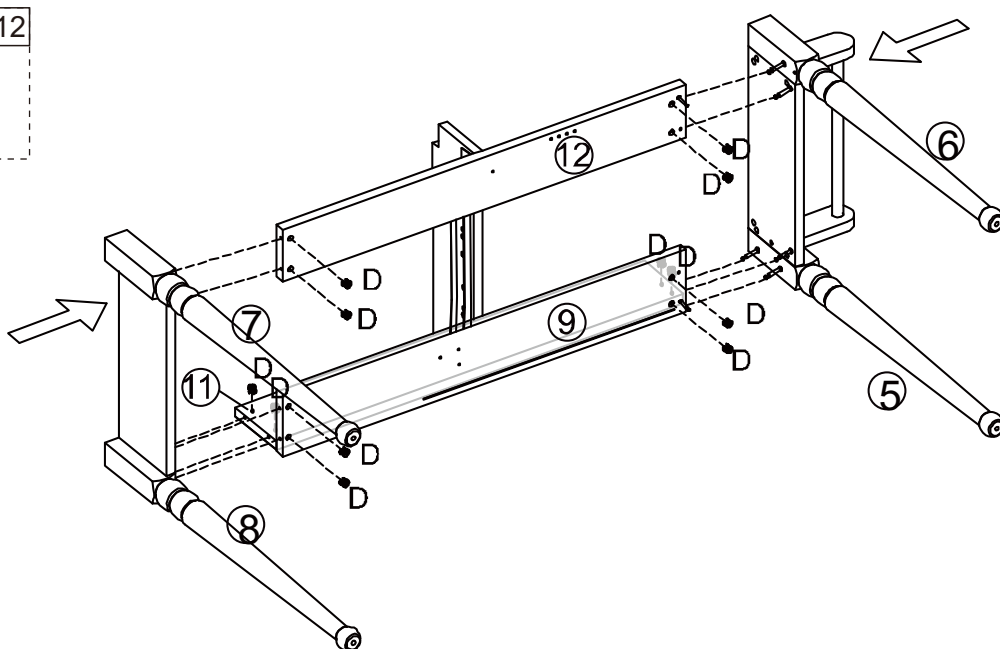
11

C x 4

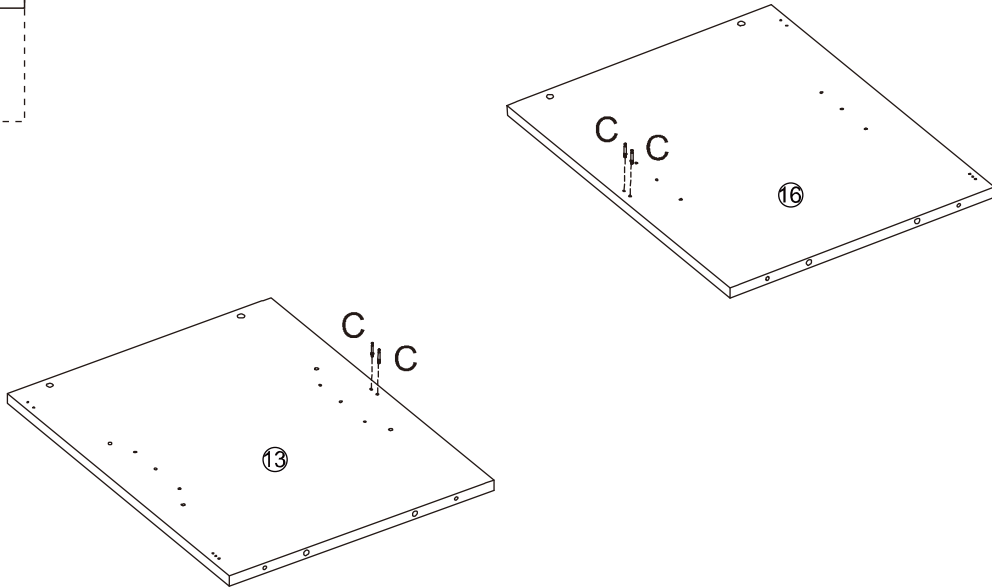
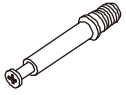


12

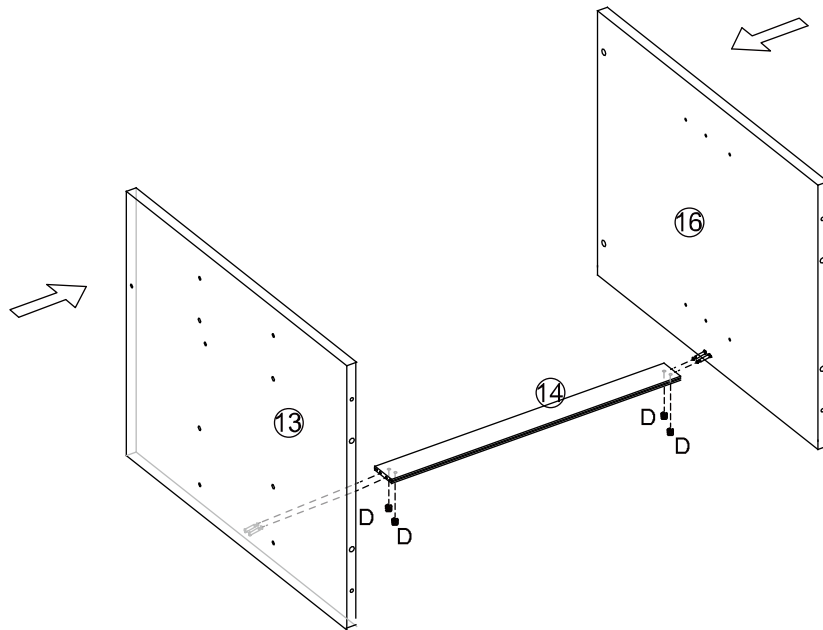
D x 12



C x 4



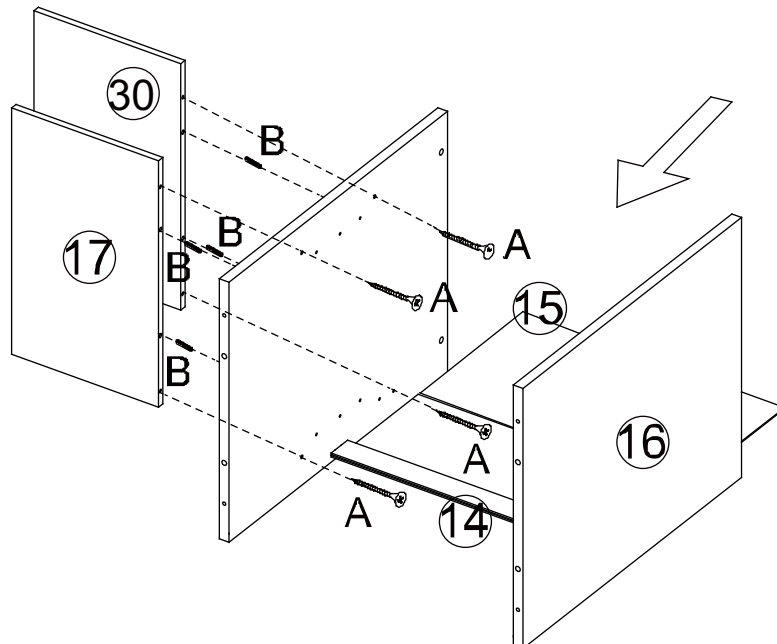
D x 4



A x 4

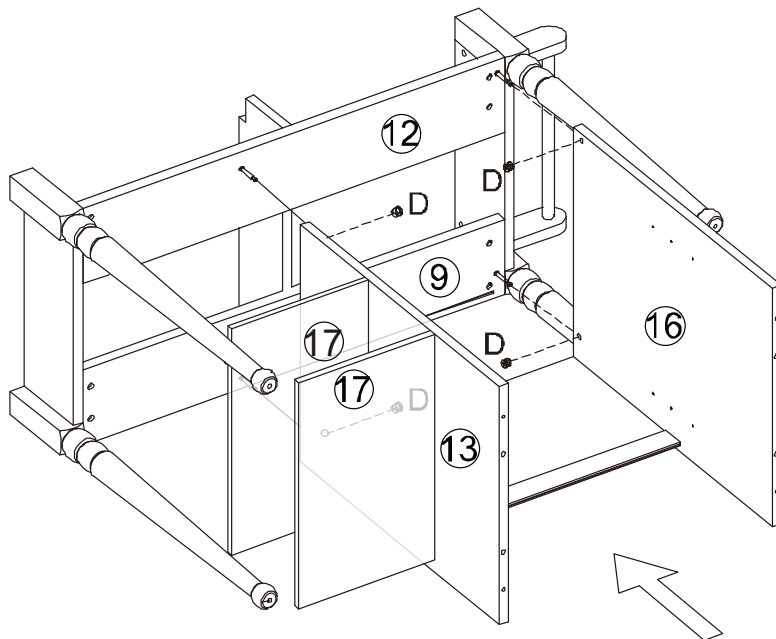


B x 4



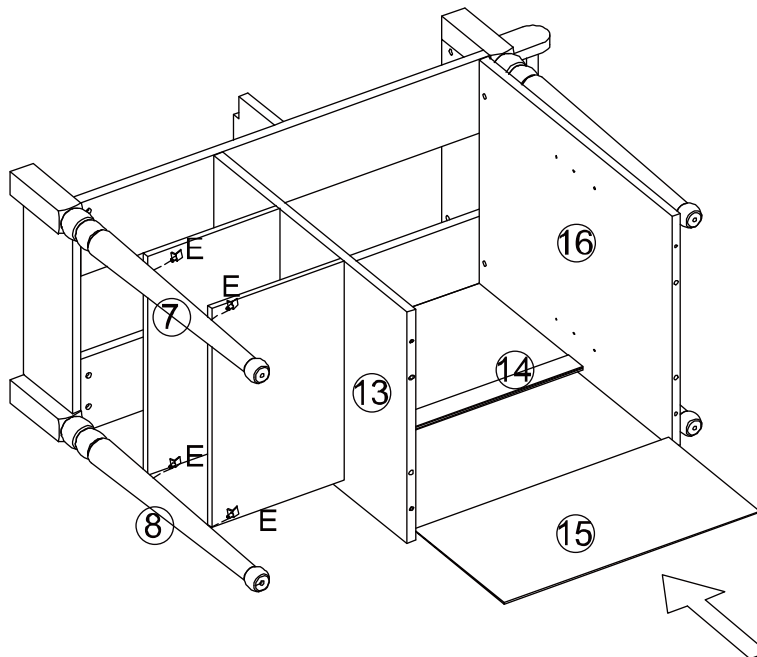
16

D x 4



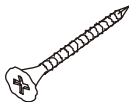
17

E x 4



18

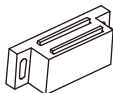
A x 4



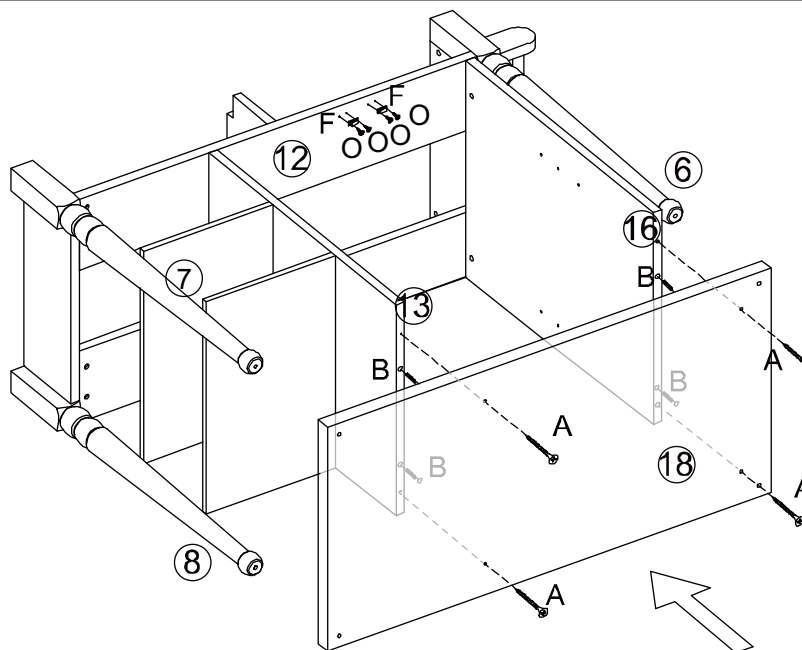
B x 4

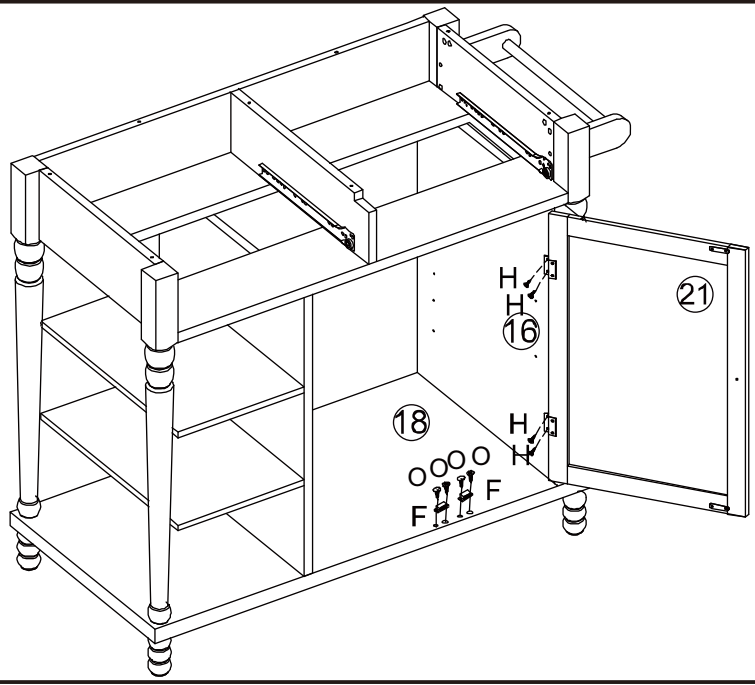
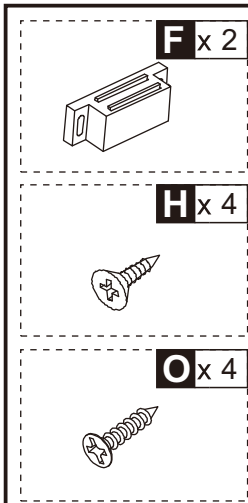
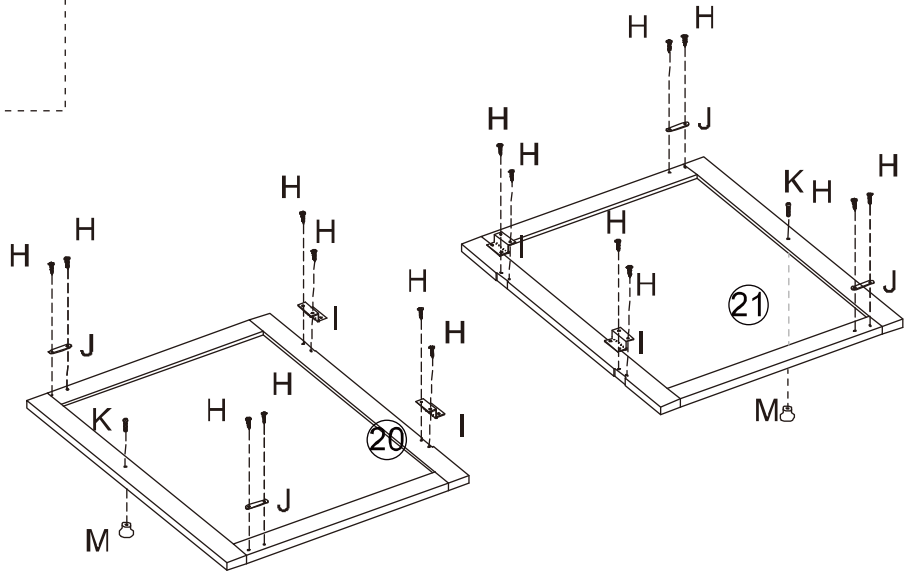
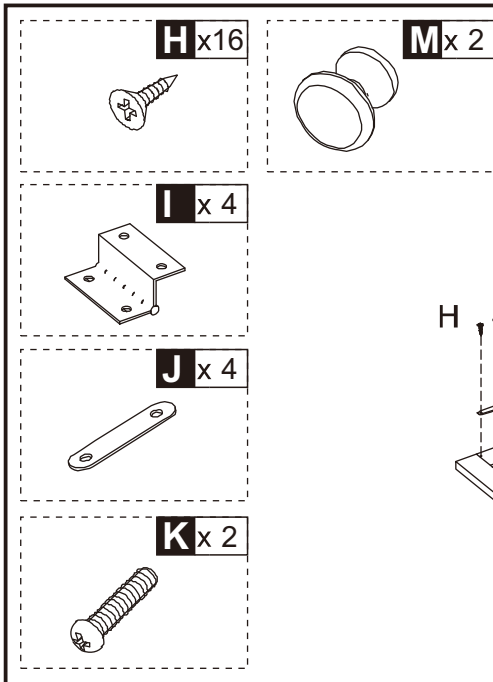
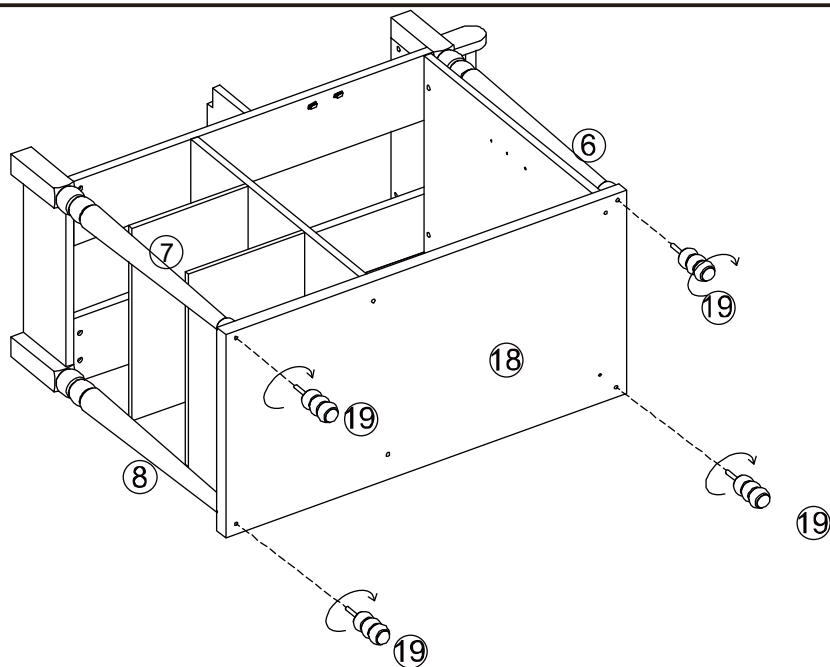


F x 2

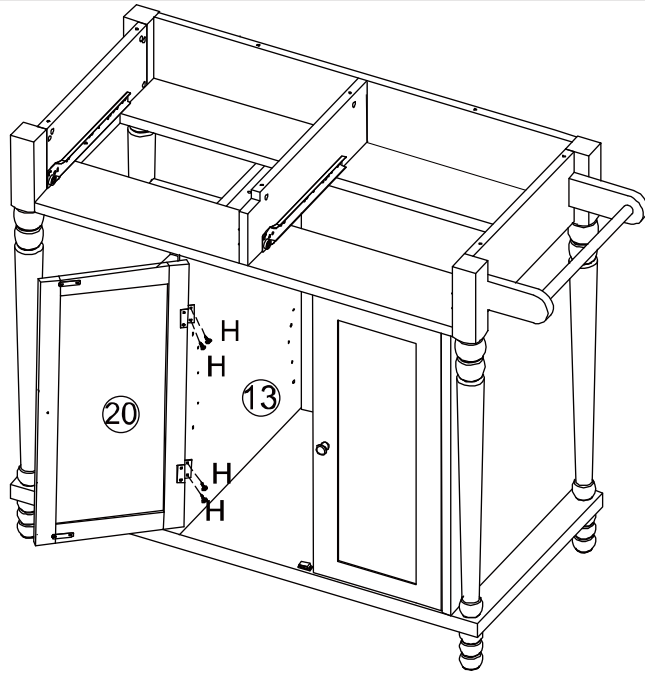


O x 4

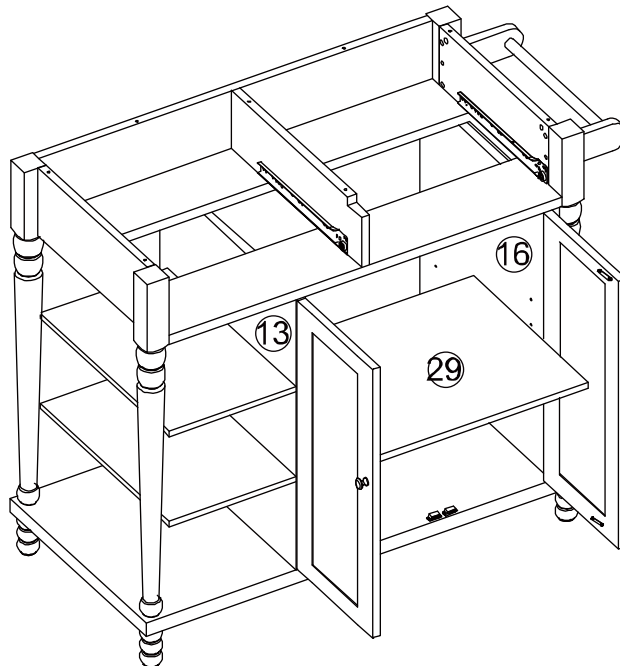
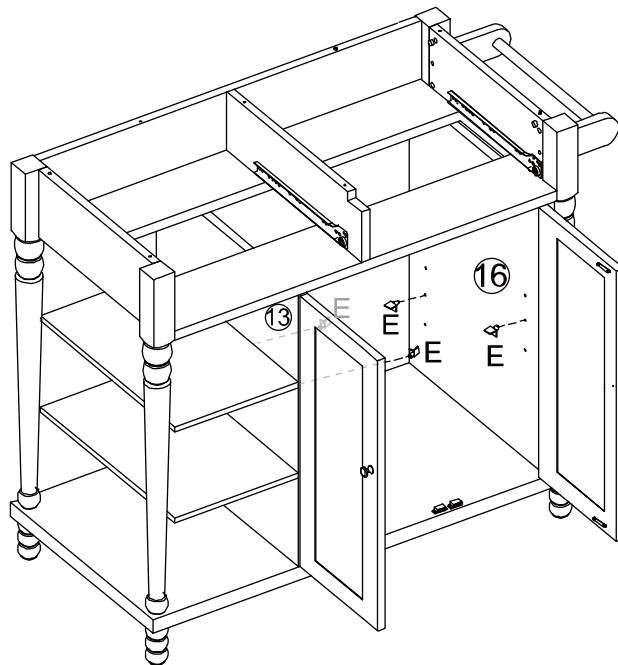




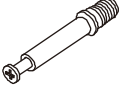
H x 4



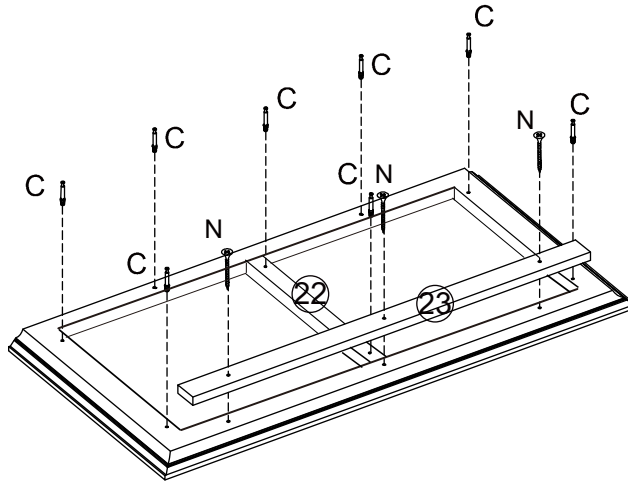
E x 4



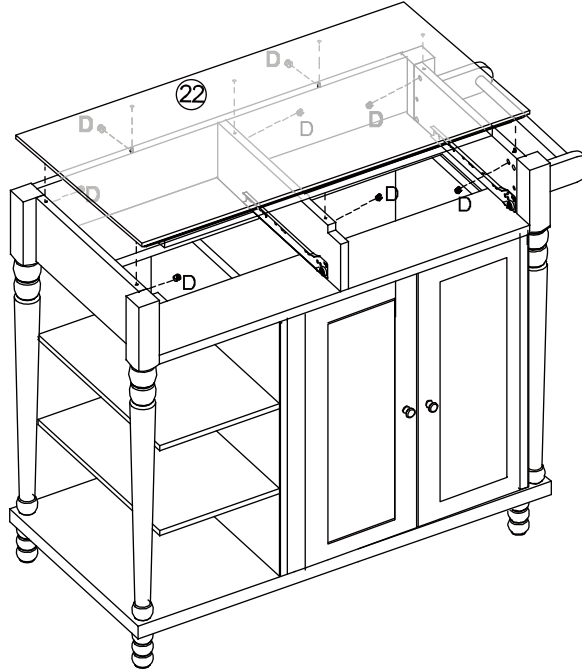
C x 8



N x 3



D x 8



O x 8



T x 2



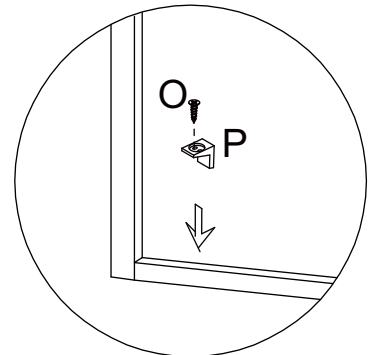
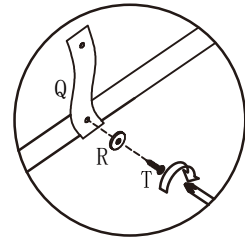
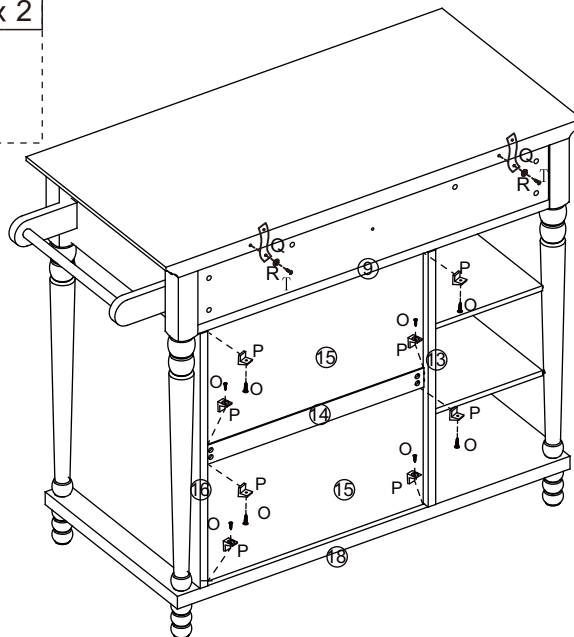
P x 8



Q x 2



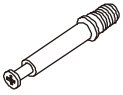
R x 2



A x 8



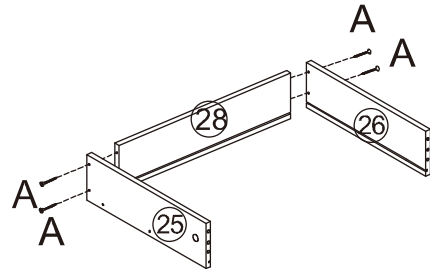
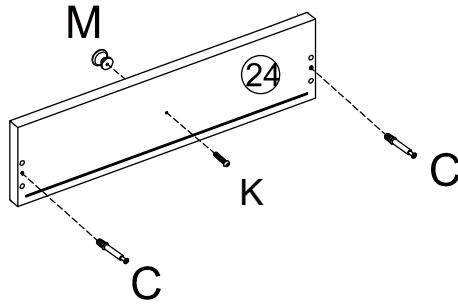
C x 4



K x 2



M x 2

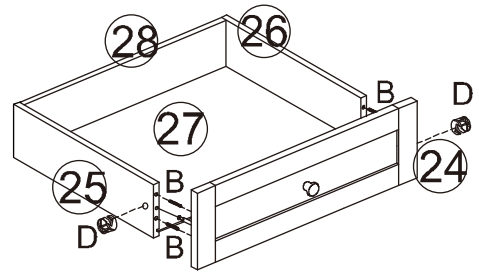
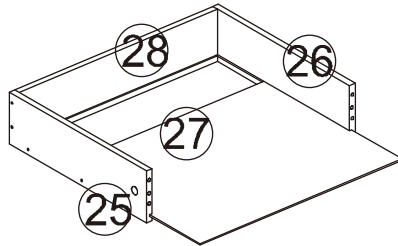


x2

B x 8



D x 4



x2

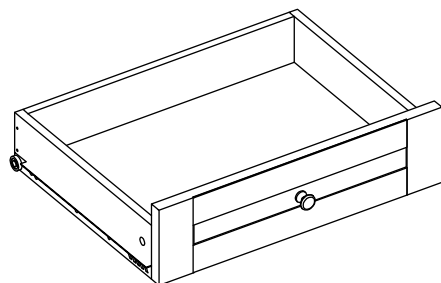
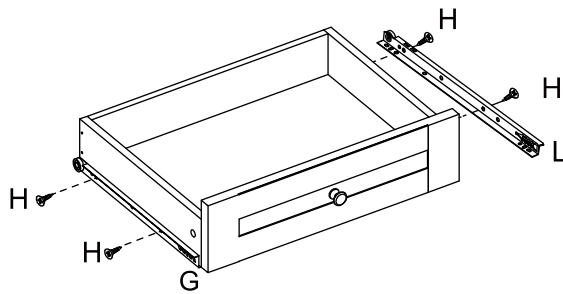
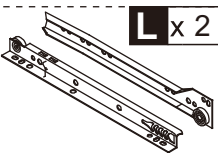
G x 2



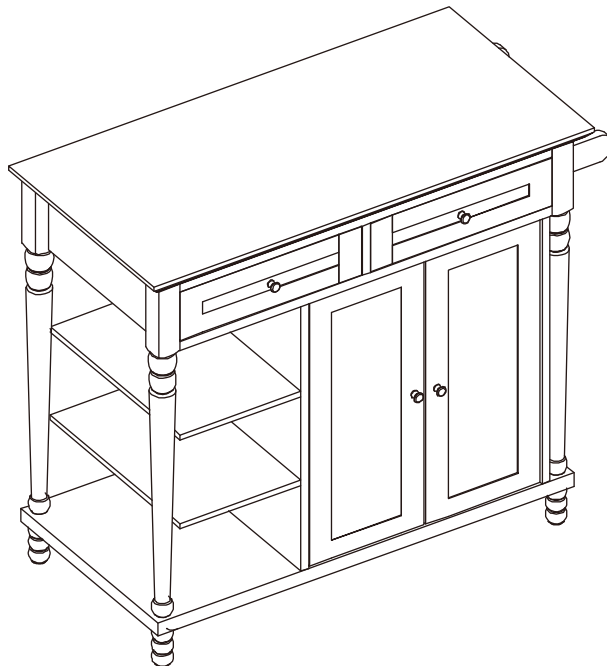
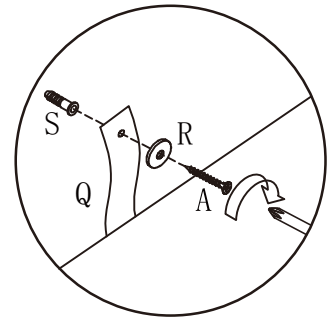
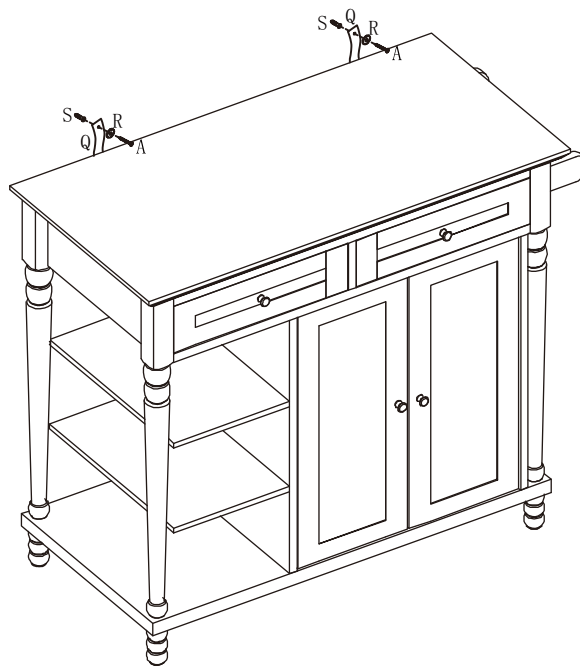
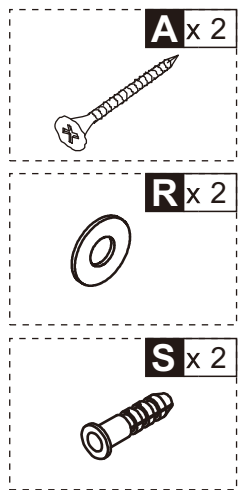
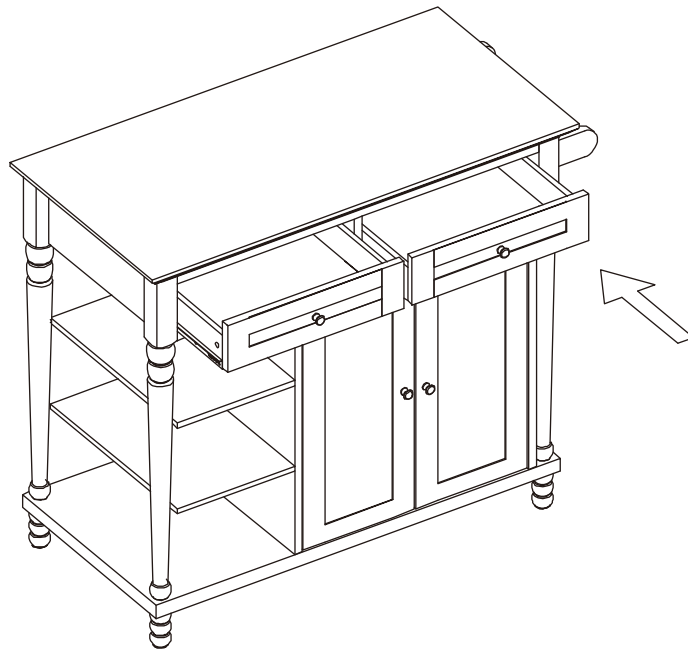
H x 8



L x 2



x2



US



001-877-644-9366
customerservice@aosom.com

CA



001-855-537-6088
customerservice@aosom.ca

UK



0044-800-240-4004
enquiries@mhstar.co.uk

DE



0049-(0)40-88307530
service@aosom.de

FR



0033-1-84166106
contact@aosom.fr

ES



0034-931294512
atencioncliente@aosom.es

IT



0039-0249471447
clienti@aosom.it