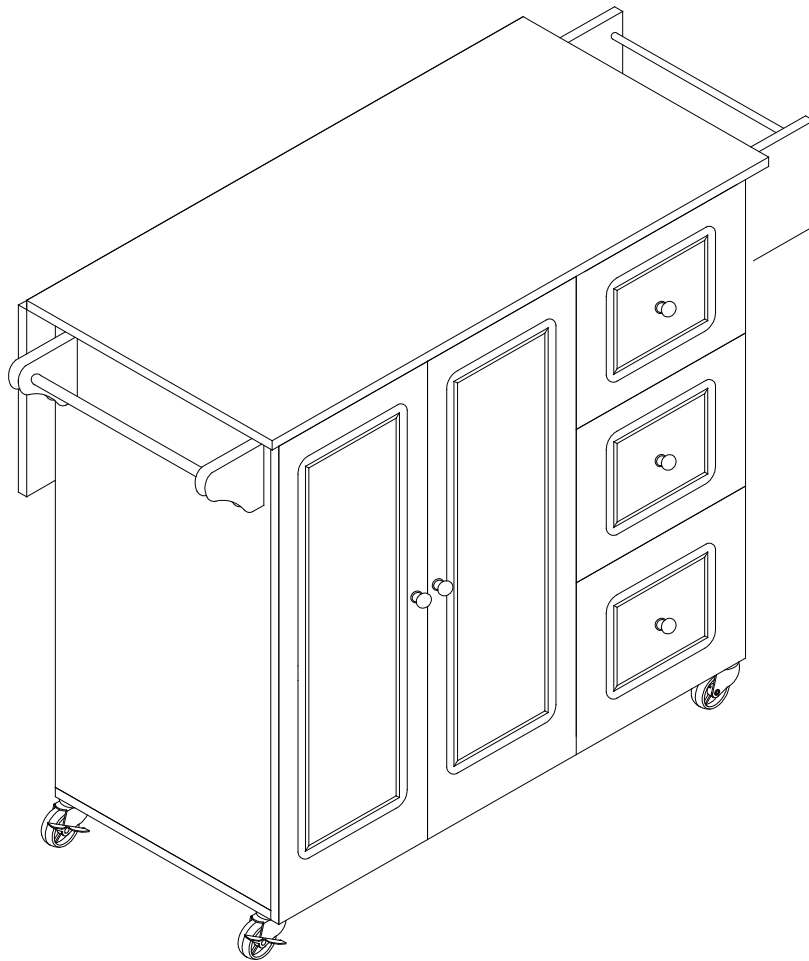




INccf022_GL

801-173

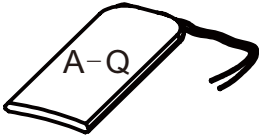


IMPORTANT, RETAIN FOR FUTURE REFERENCE: READ CAREFULLY

ASSEMBLY INSTRUCTION

PACKING DETAILS: TOTAL 2 BOXES

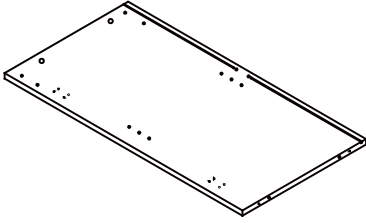
BOX-1/2

PARTS	QTY	PARTS	QTY
④	1	⑱	2
⑦	1	⑲	2
⑧	1	⑳	3
⑨	1	㉑	3
⑫	1	㉔	3
⑬	1	㉕	2
⑮	1	 Hardware Kit	
⑯	1		
⑰	2		

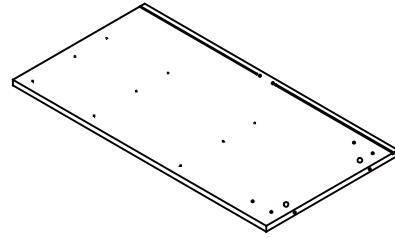
BOX-2/2

PARTS	QTY
①	1
②	1
③	1
⑤	1
⑥	1
⑩	2
⑪	1
⑭	1
⑳	3
㉓	2
㉖	1

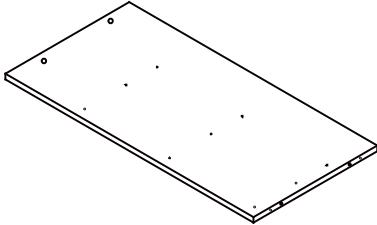
① x 1



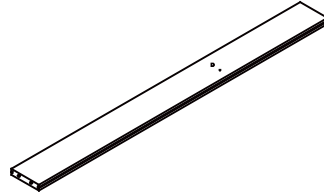
② x 1



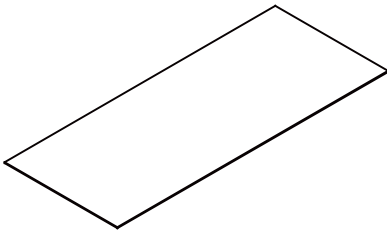
③ x 1



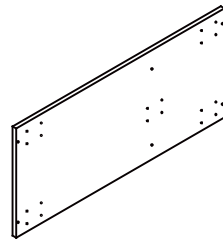
④ x 1



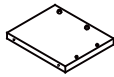
⑤ x 1



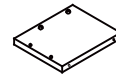
⑥ x 1



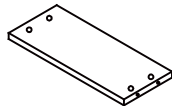
⑦ x 1



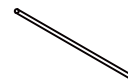
⑧ x 1



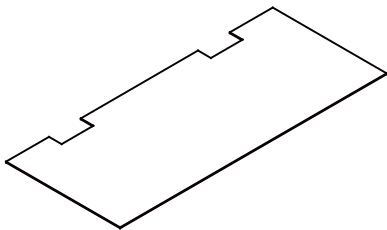
⑨ x 1



⑩ x 2



⑪ x 1



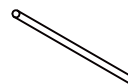
⑫ x 1



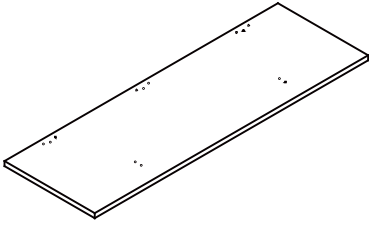
⑬ x 1



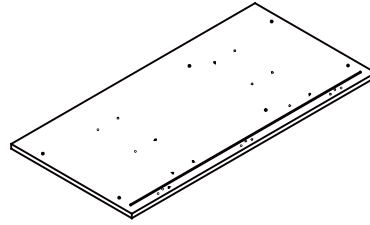
⑭ x 1



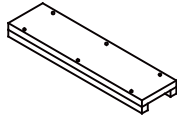
15 x 1



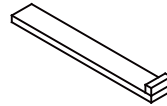
16 x 1



17 x 2



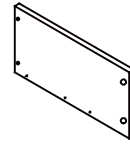
18 x 2



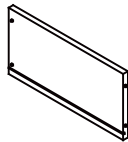
19 x 2



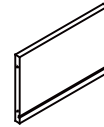
20 x 3



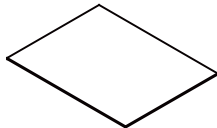
21 x 3



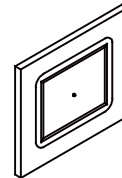
22 x 3



23 x 3



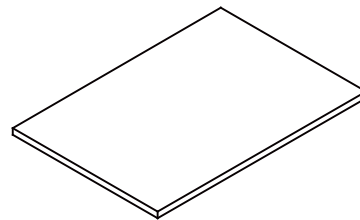
24 x 3

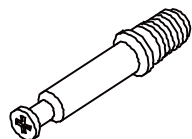


25 x 2



26 x 1





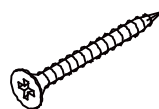
A x26
+1(spare)



B x26
+1(spare)



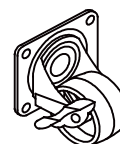
C x 9
+1(spare)



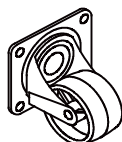
D x43
+2(spare)



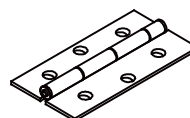
E x20
+1(spare)



F x 2



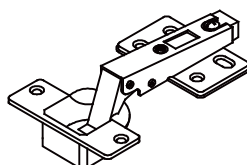
G x 3



H x 3



I x 4



J x 4



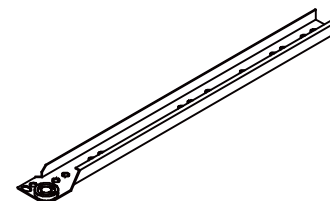
K x 5
+1(spare)



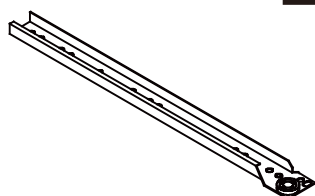
L x 5



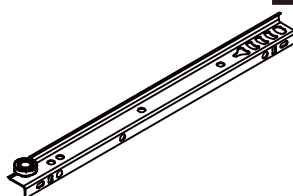
M x78
+2(spare)



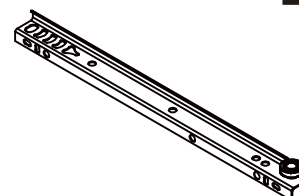
N x 3



O x 3



P x 3



Q x 3

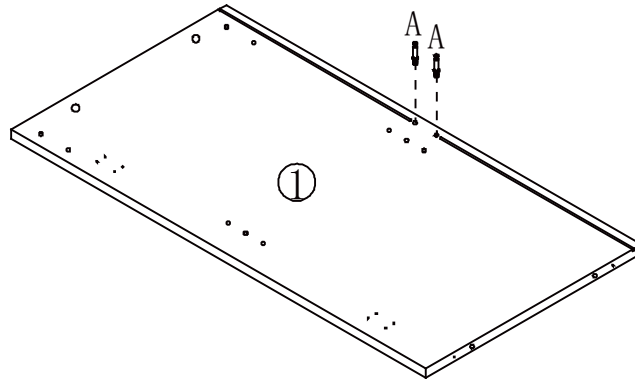
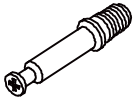
M5*14

M4*35

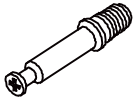
M4*16

M3*12

A x 2



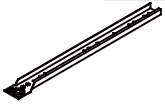
A x 2



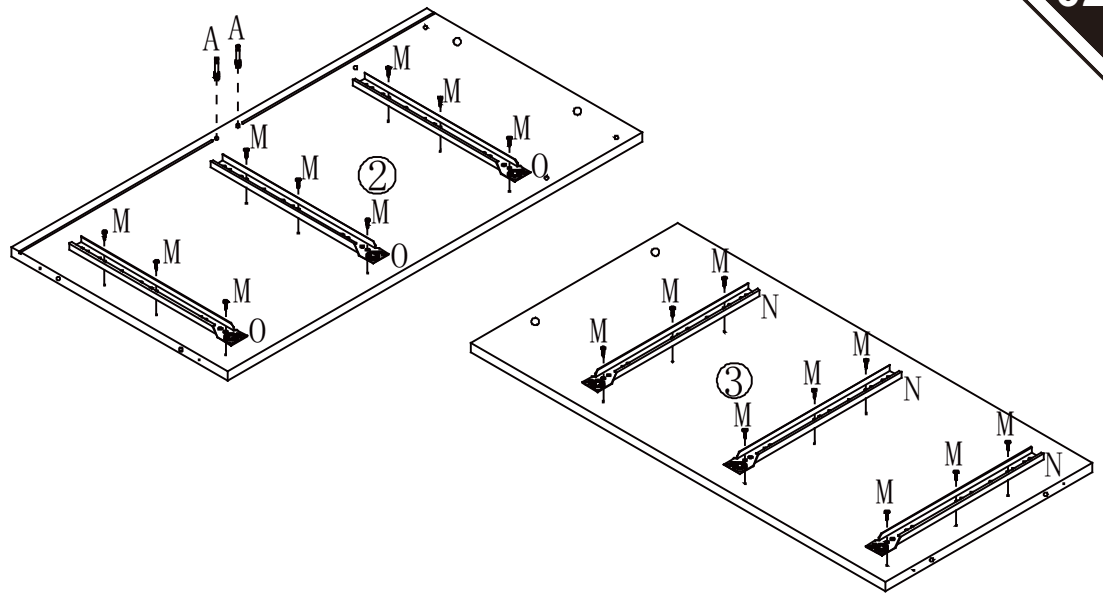
M x 18



N x 3



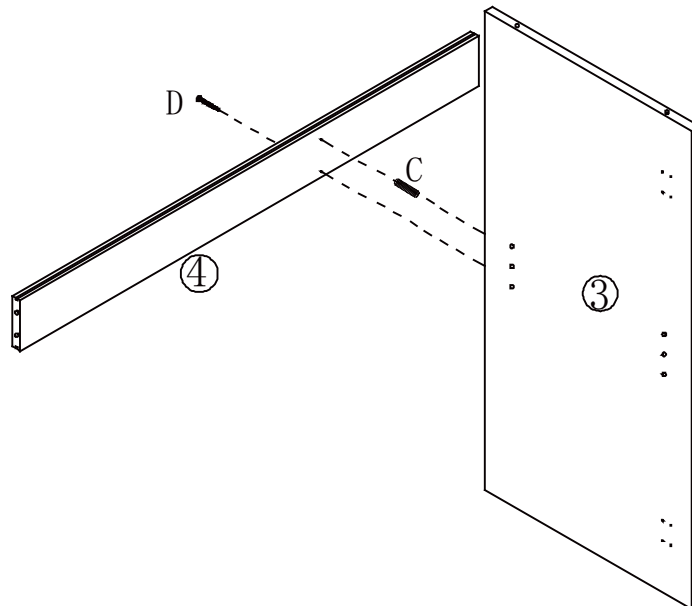
O x 3



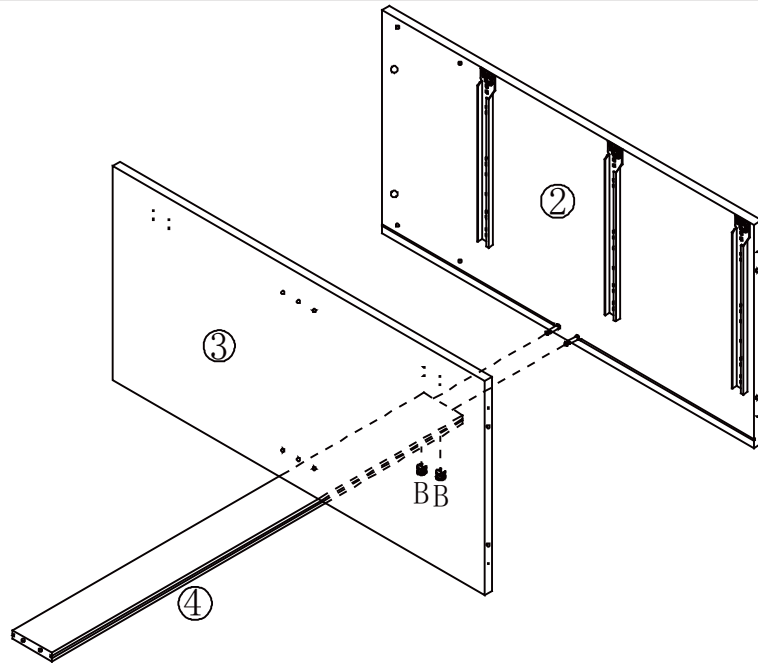
C x 1



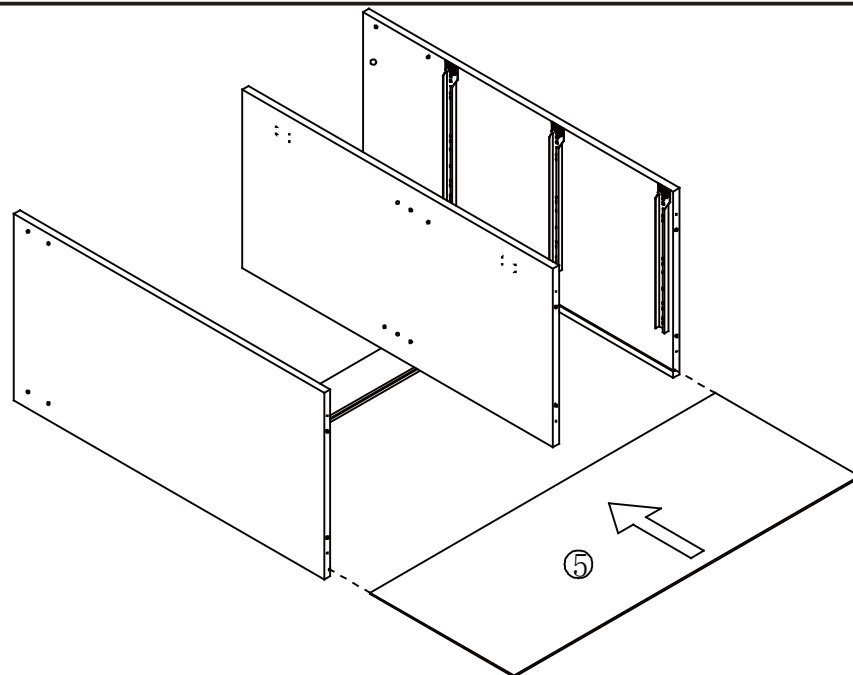
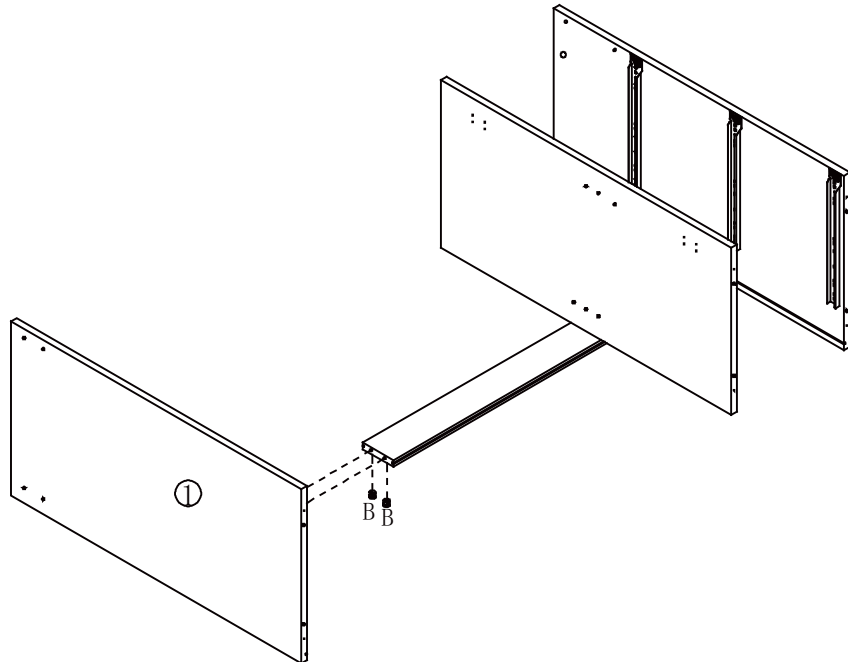
D x 1



B x 2



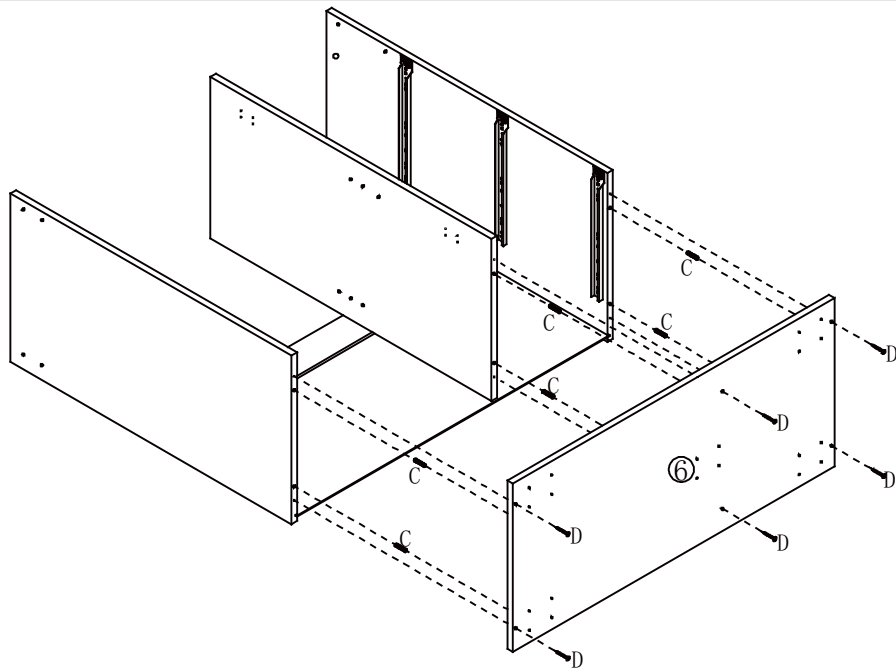
B x 2



C x 6



D x 6



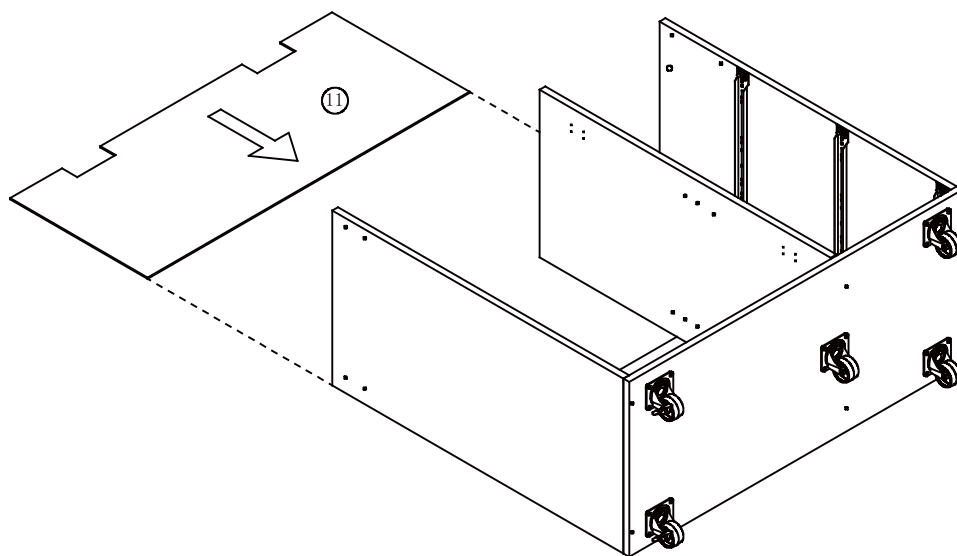
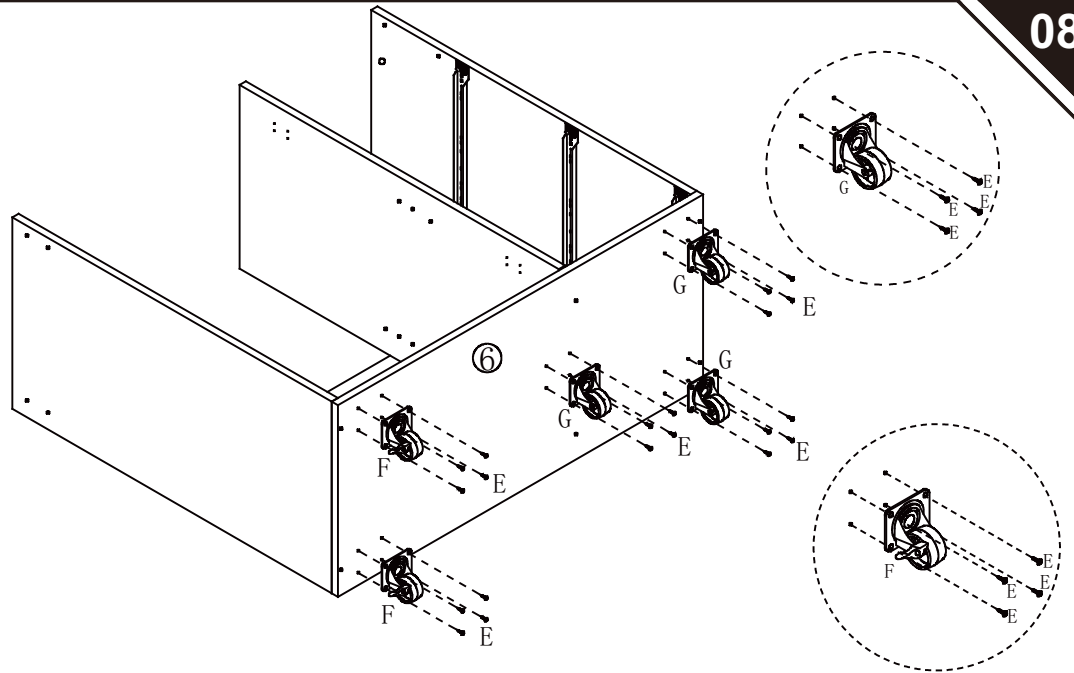
E x 20



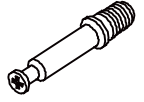
F x 2



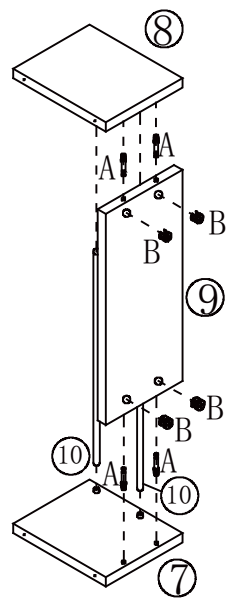
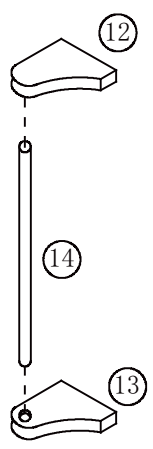
G x 3



A x 4



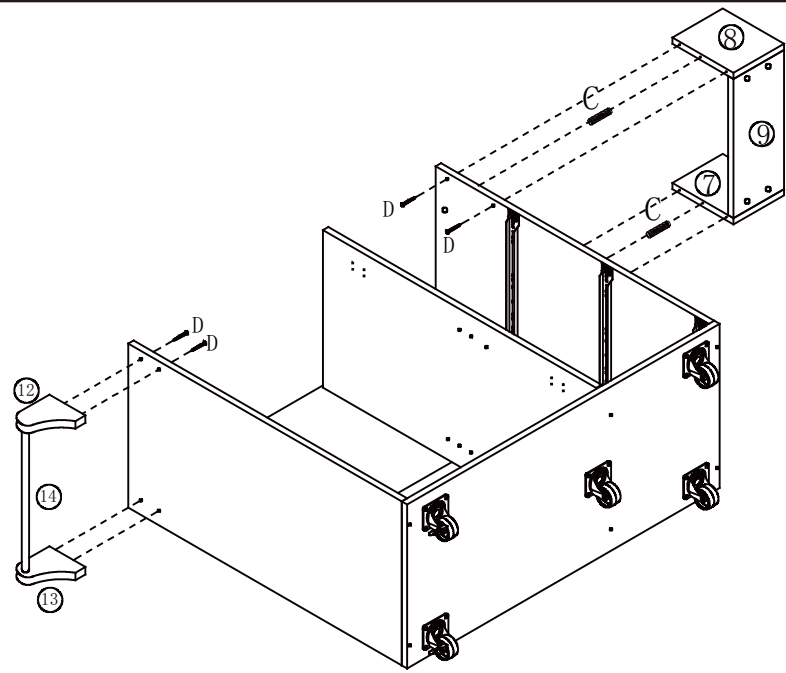
B x 4



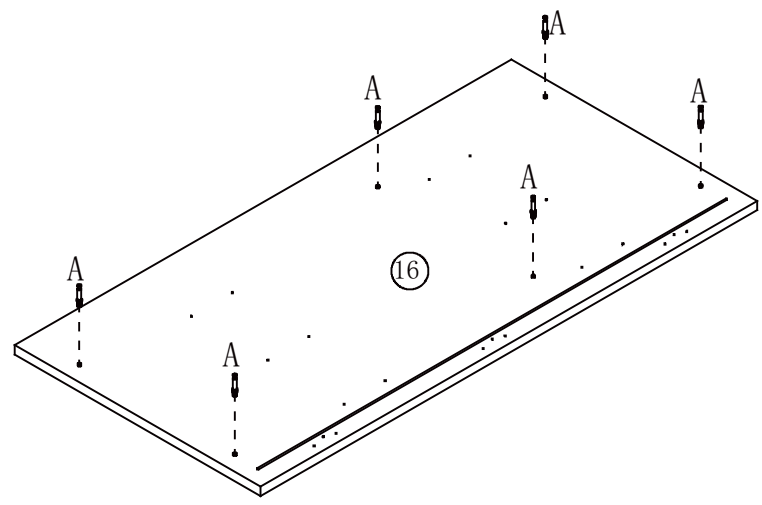
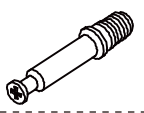
C x 2



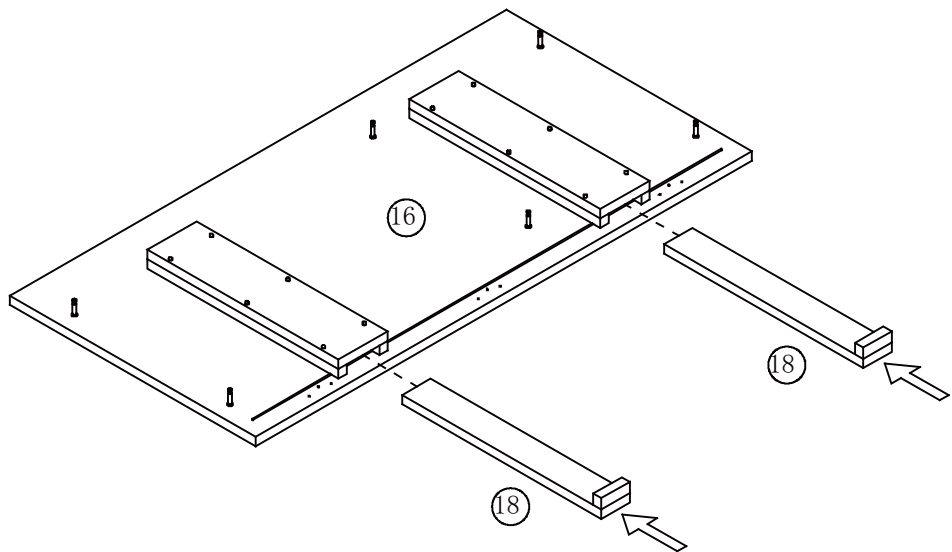
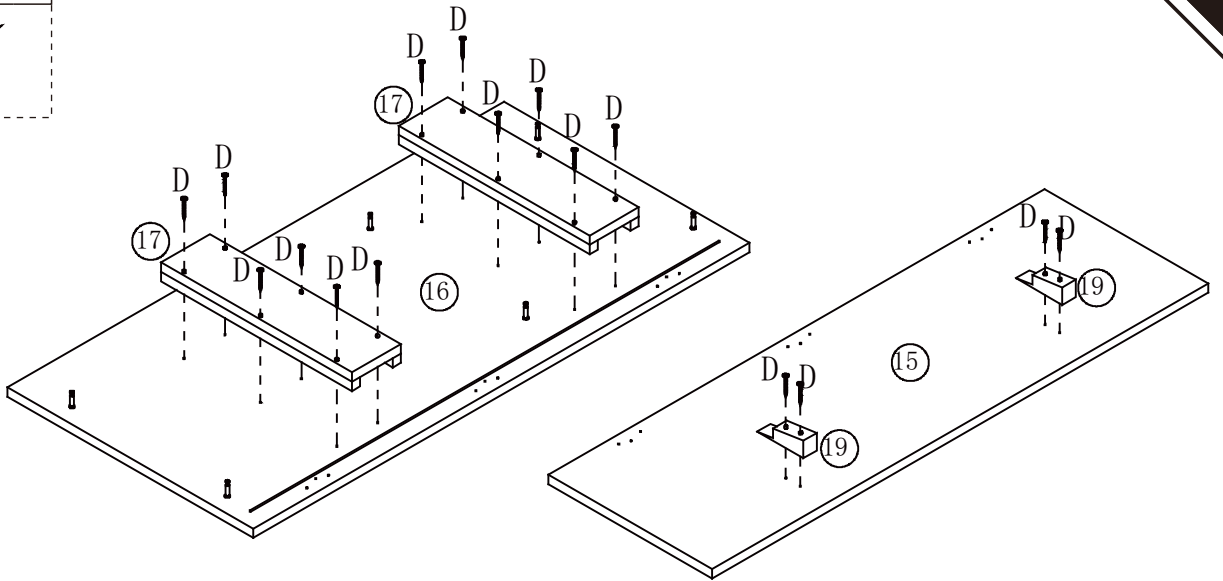
D x 8



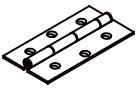
A x 6



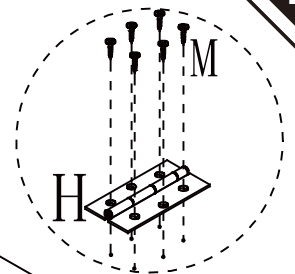
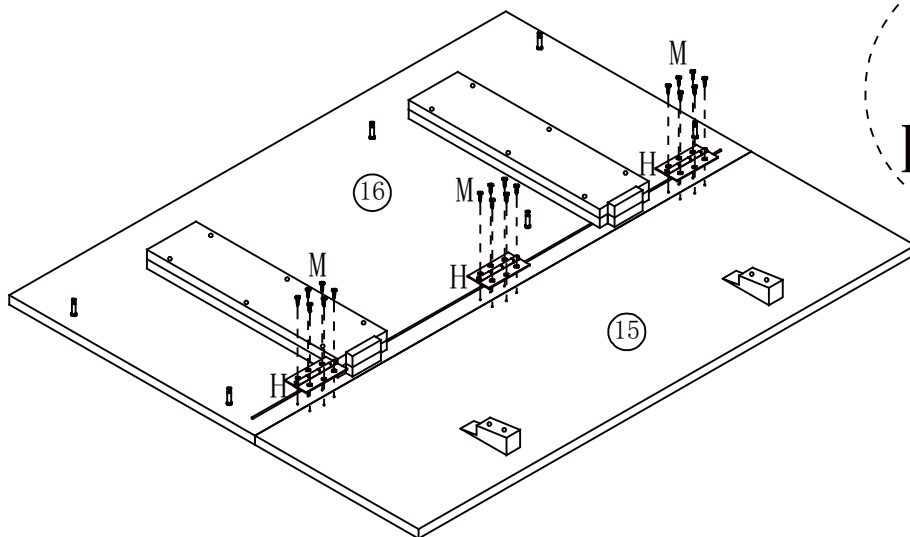
D x 16



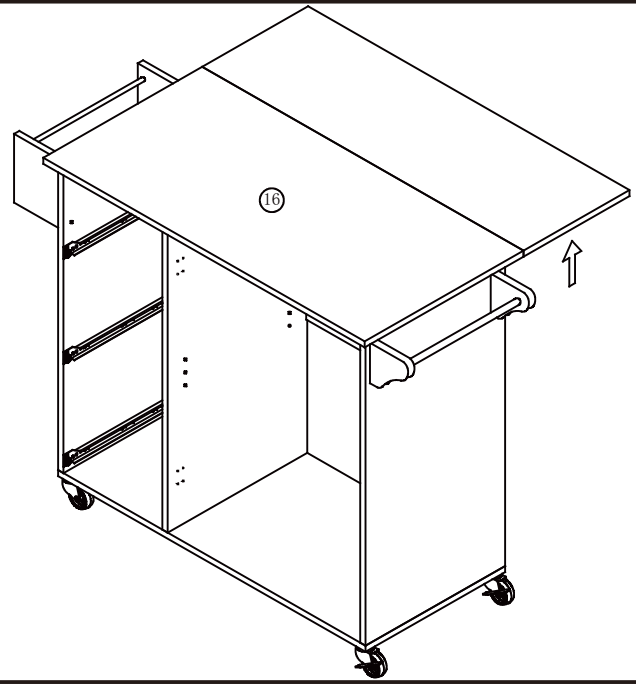
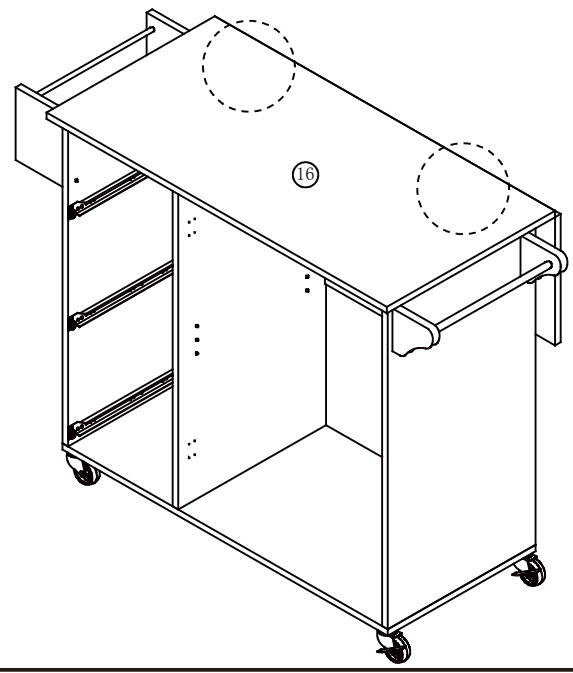
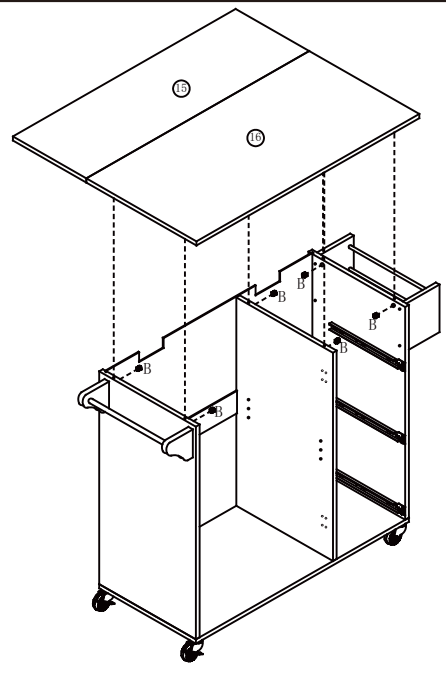
H x 3



M x 18



B x 6



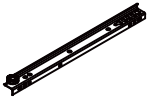
Dx12



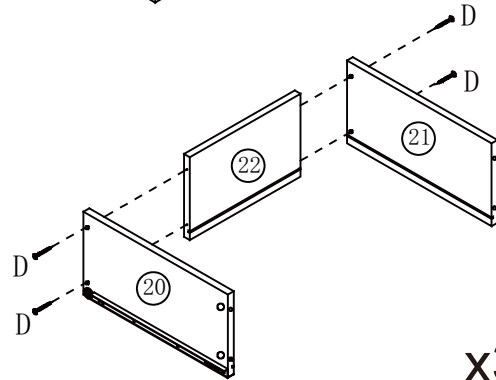
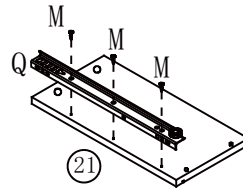
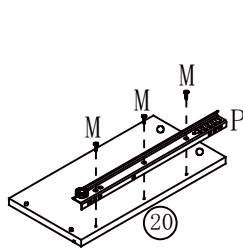
Mx18



Px 3

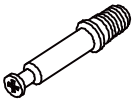


Qx 3



x3

Ax12



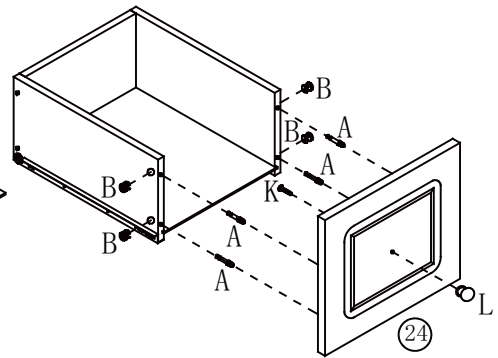
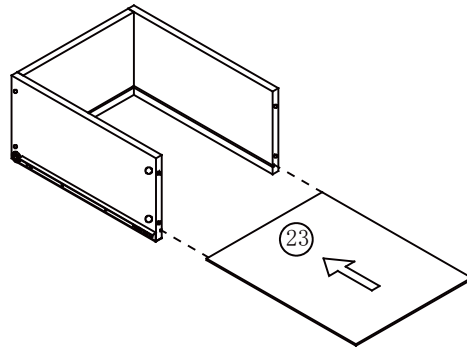
Bx12



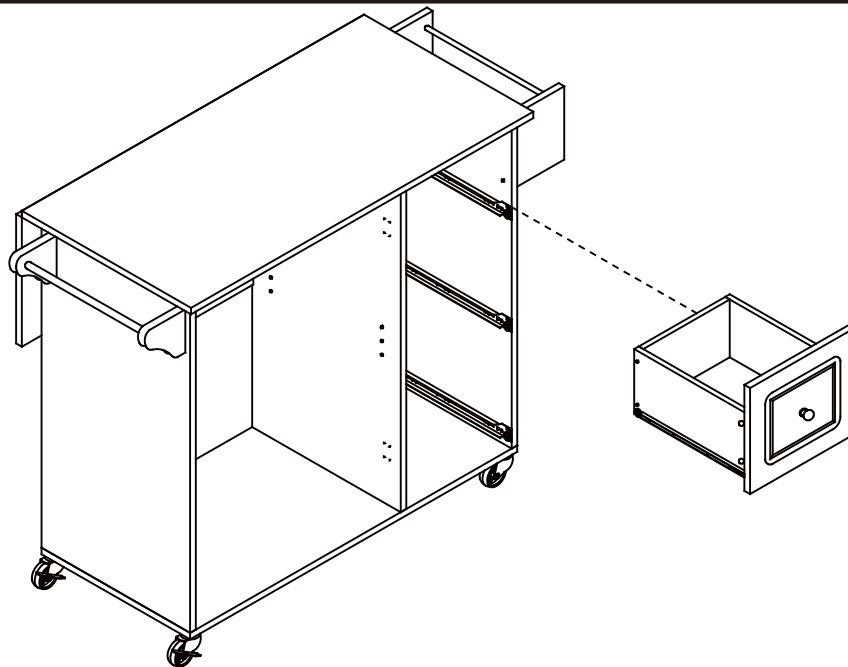
Kx 3



Lx 3

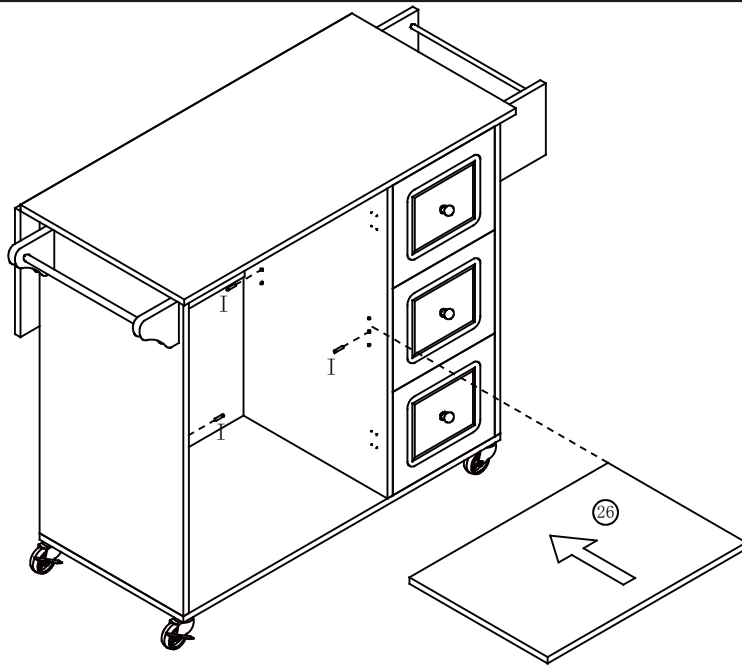


x3

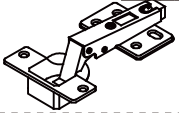


x3

I x 4



J x 4



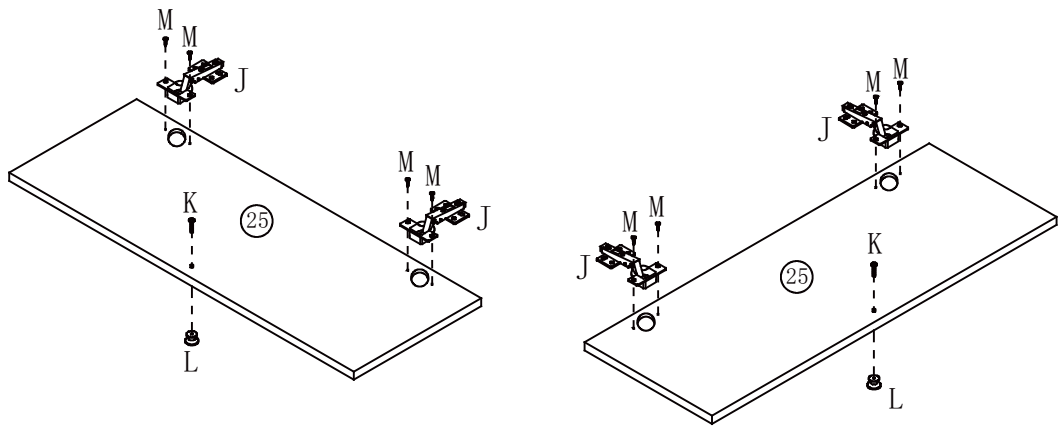
K x 2



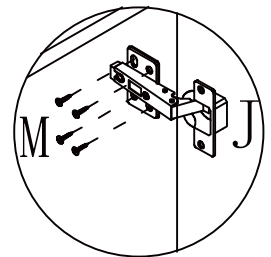
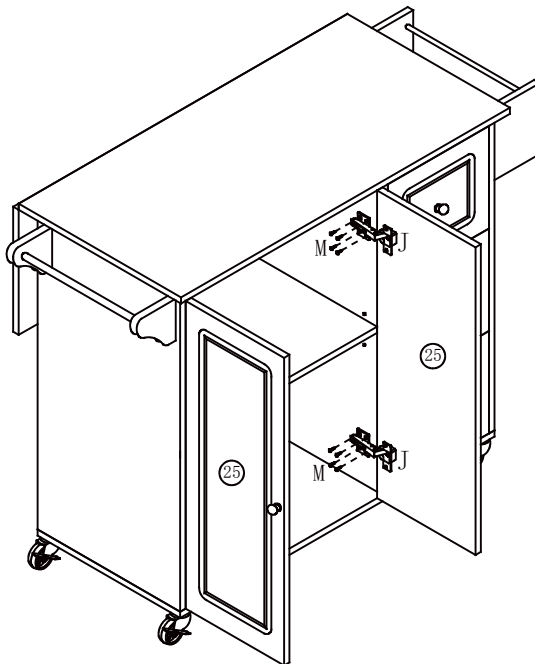
L x 2



M x 8



M x 16



US



001-877-644-9366
customerservice@aosom.com

CA



001-855-537-6088
customerservice@aosom.ca

UK



0044-800-240-4004
enquiries@mhstar.co.uk

DE



0049-(0)40-88307530
service@aosom.de

FR



0033-1-84166106
contact@aosom.fr

ES



0034-931294512
atencioncliente@aosom.es

IT



0039-0249471447
clienti@aosom.it