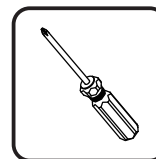
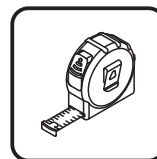
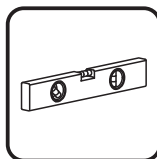
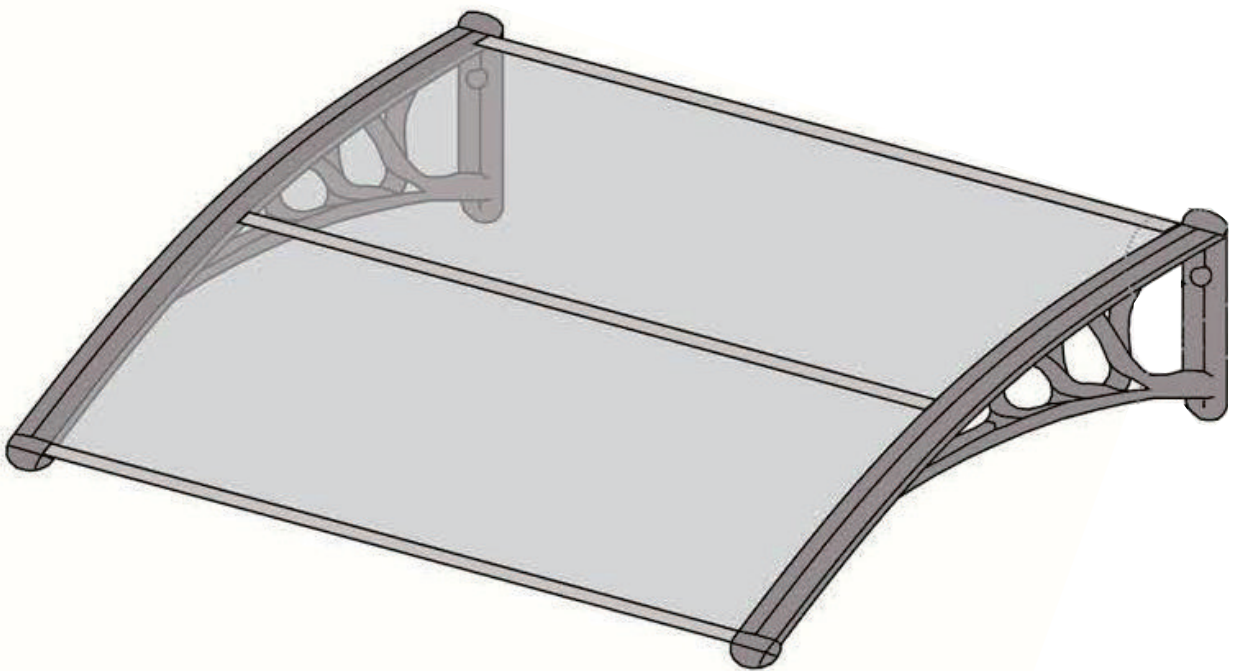




INcea029V02_GL



IMPORTANT, RETAIN FOR FUTURE REFERENCE: READ CAREFULLY

Tools Recommended

ASSEMBLY & INSTRUCTION MANUAL

PARTS

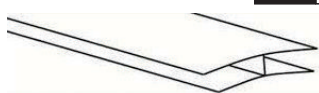
A x 2



B x 2



C x 1



D x 1



E x 1



HARDWARE

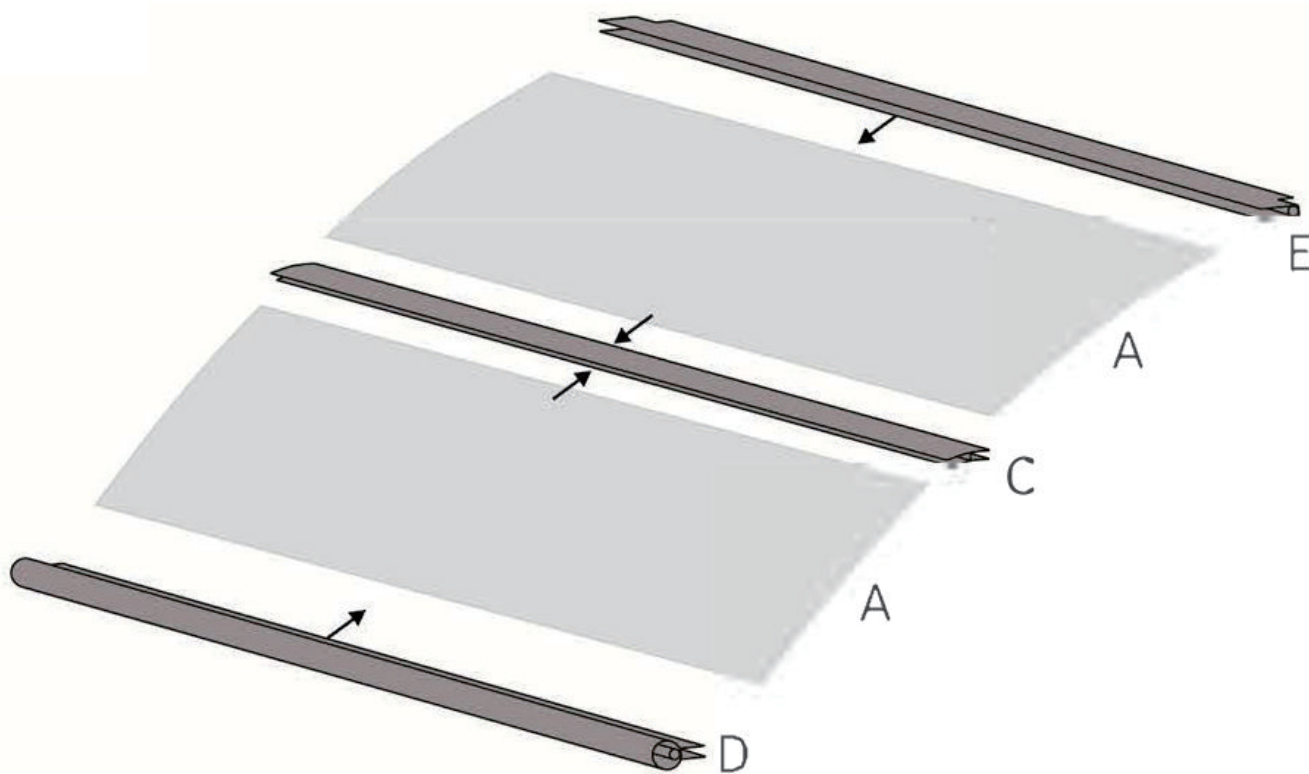
F x 4



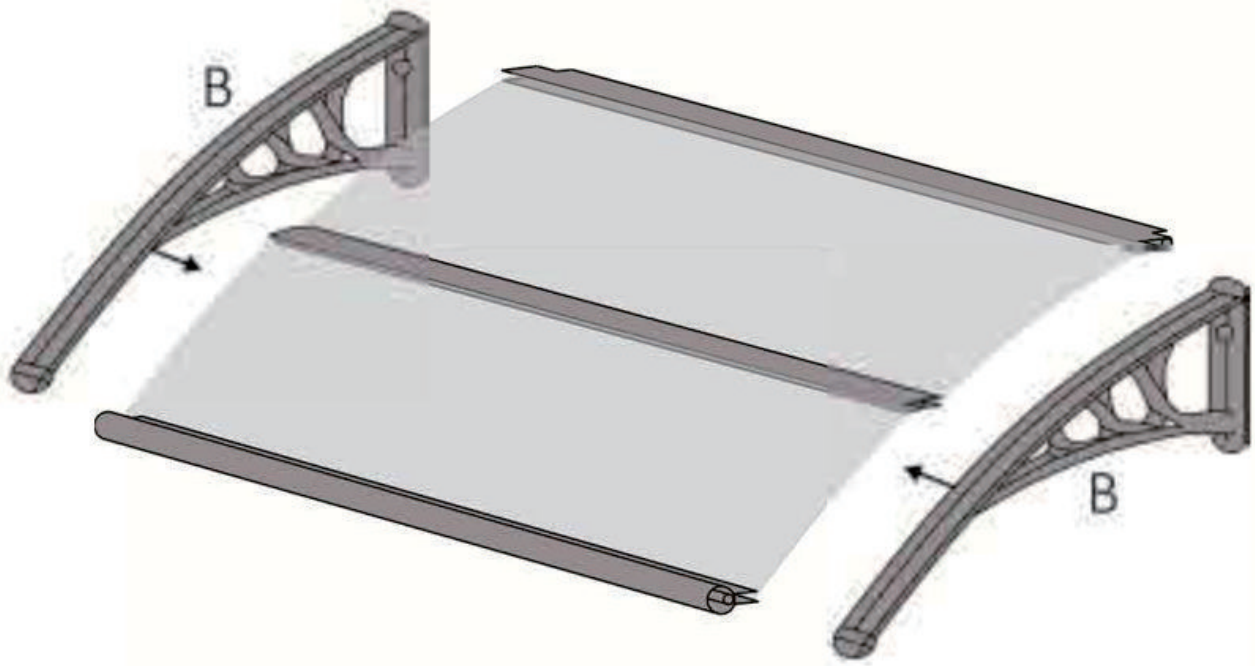
H x 4



01



02



03

