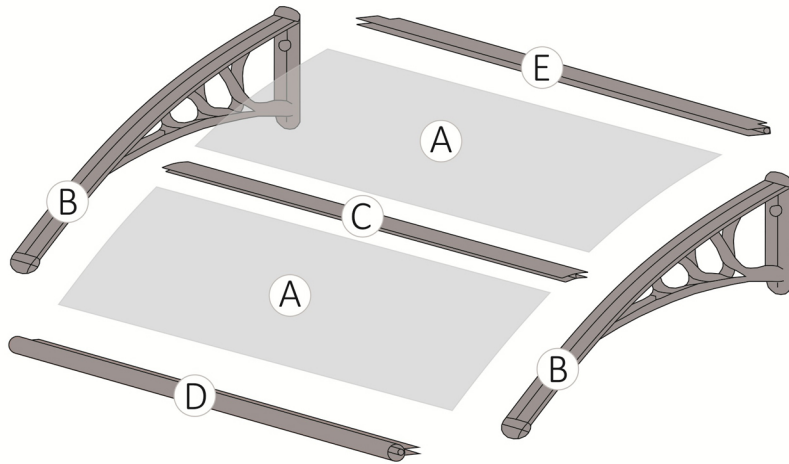


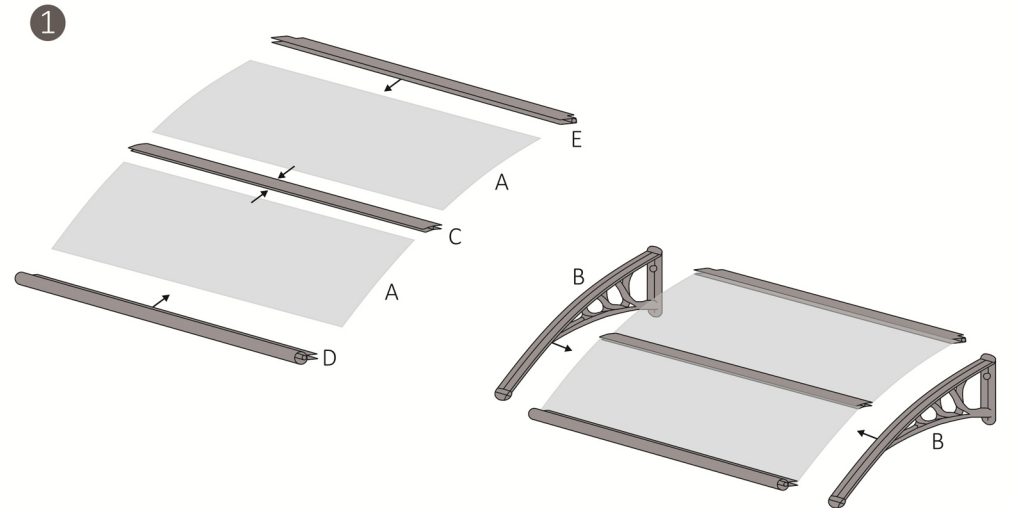
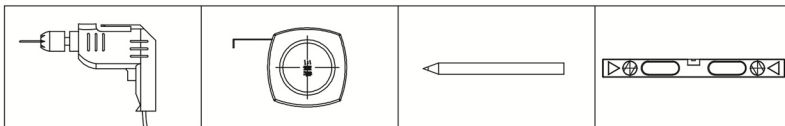
B70-049/B70-011
C000000



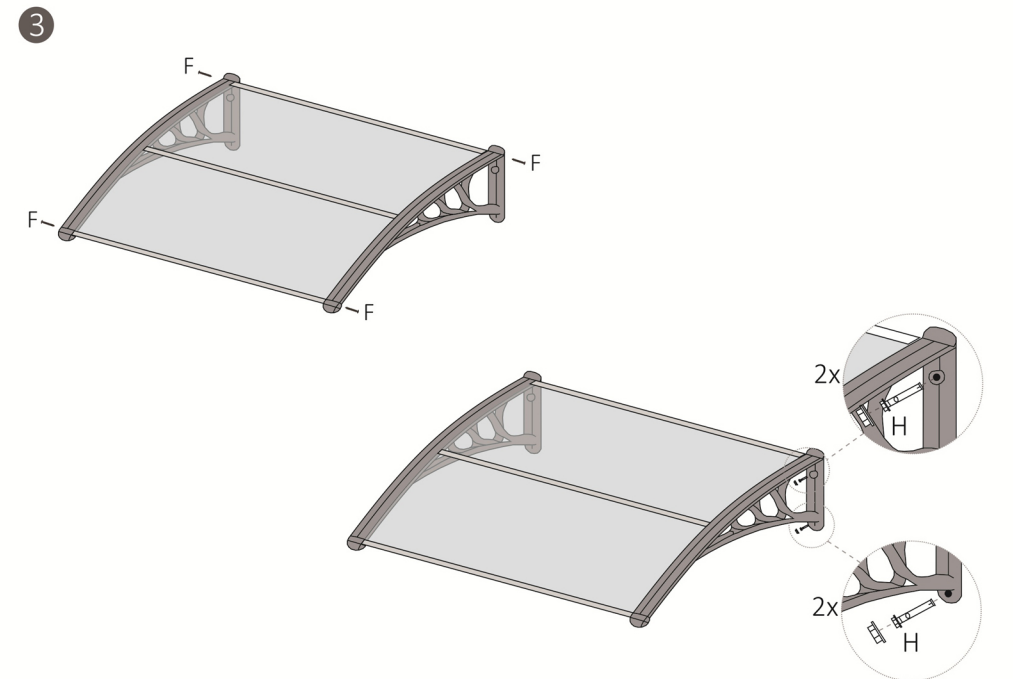
Part list

A	2x	PC board	
B	2x	Bracket	
C	1x	H bar	
D	1x	Aluminum front bar	
E	1x	Aluminum back bar	
F	4x	Screw	
H	4x	Screwset	

Tools



2



4

US



001-877-644-9366
customerservice@aosom.com

CA



001-855-537-6088
customerservice@aosom.ca

UK



0044-800-240-4004
enquiries@mhstar.co.uk

DE



0049-(0)40-88307530
service@aosom.de

FR



0033-1-84166106
contact@aosom.fr

ES



0034-931294512
atencioncliente@aosom.es

IT



0039-0249471447
clienti@aosom.it