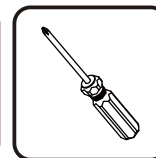
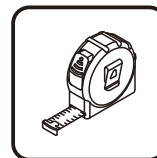
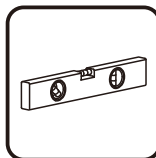
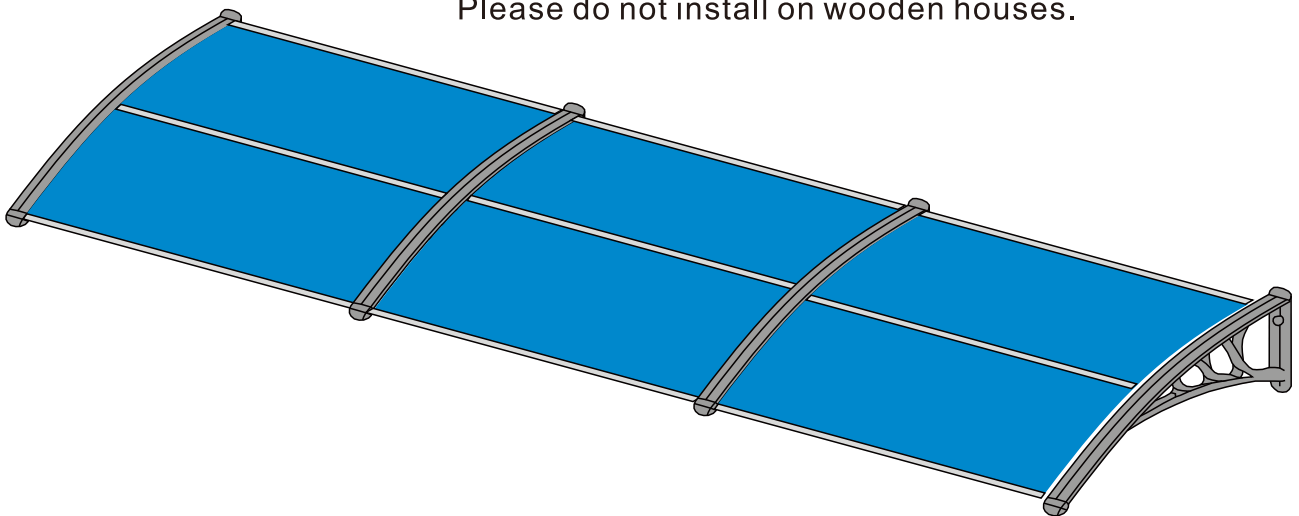




INcea030V04_GL

B70-048_B70-058V03

Please do not install on wooden houses.



IMPORTANT, RETAIN FOR FUTURE REFERENCE: READ CAREFULLY

Tools Recommended

ASSEMBLY & INSTRUCTION MANUAL

PARTS

A x 6

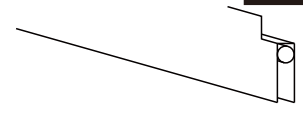
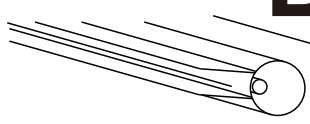
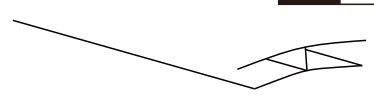
B x 4



C x 3

D x 3

E x 3



HARDWARE

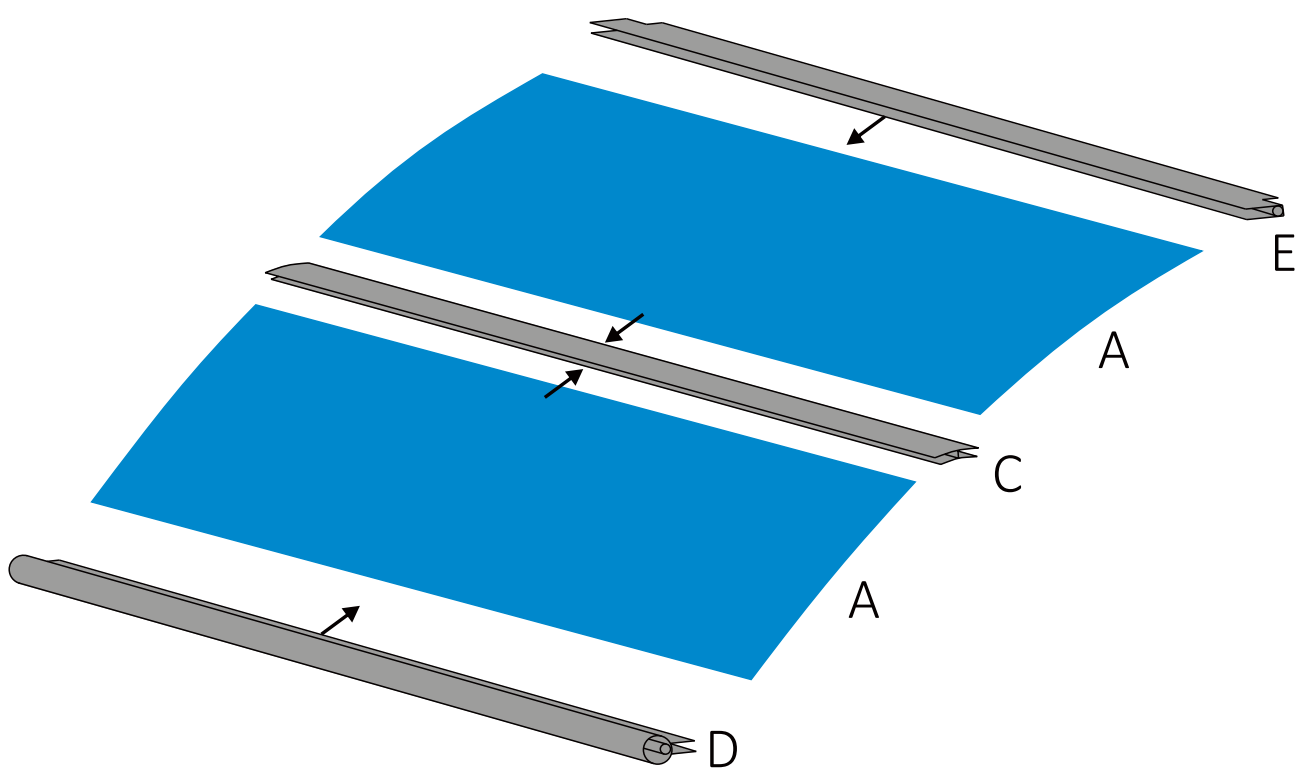
F x 4

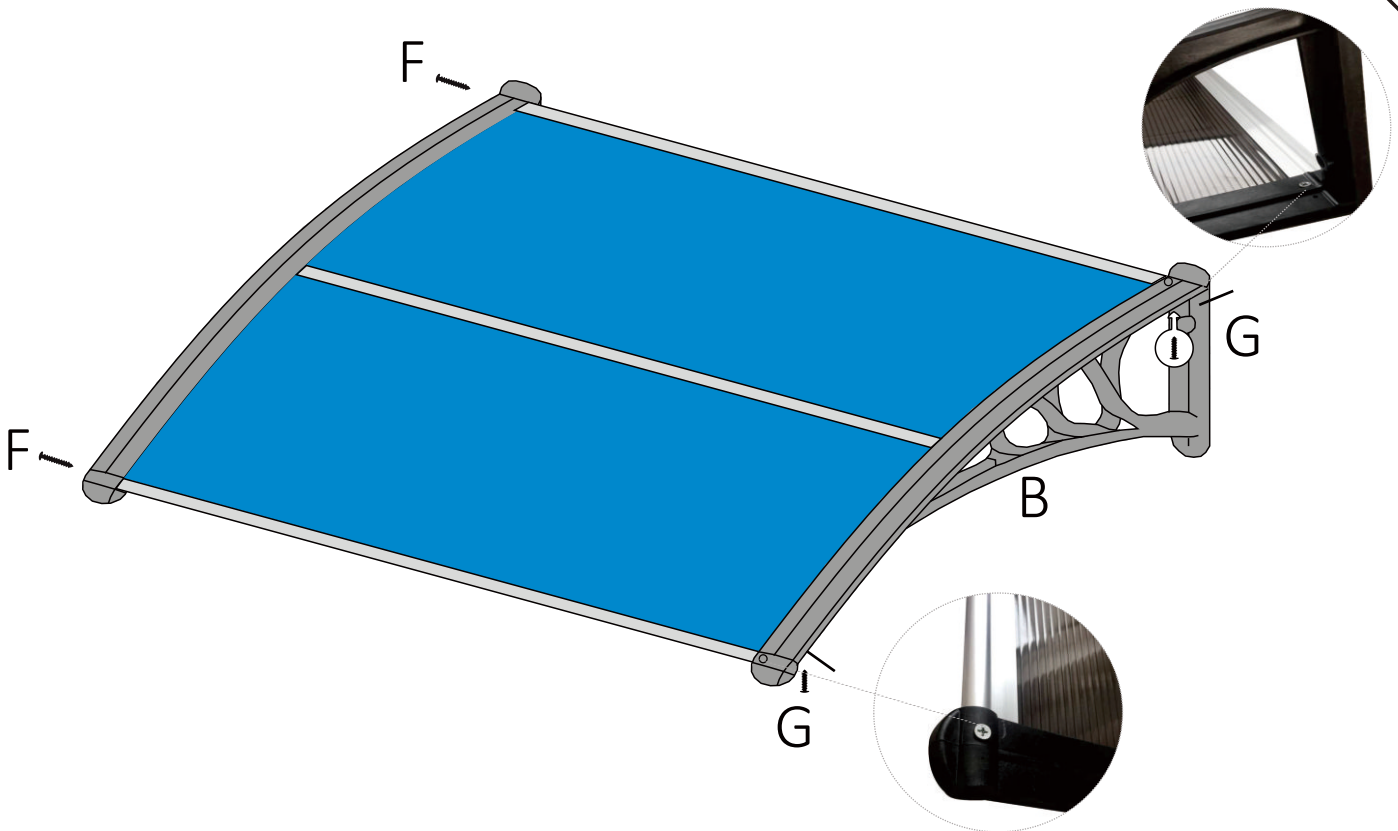
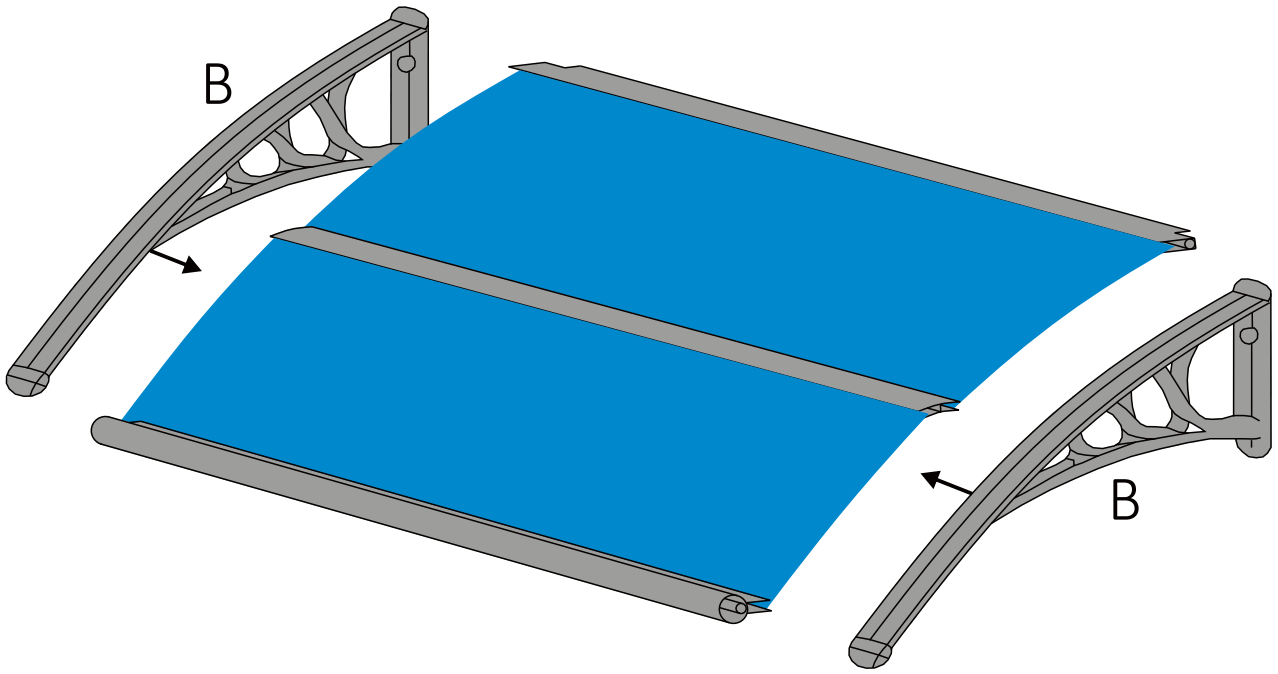
G x 8
+1(spare)

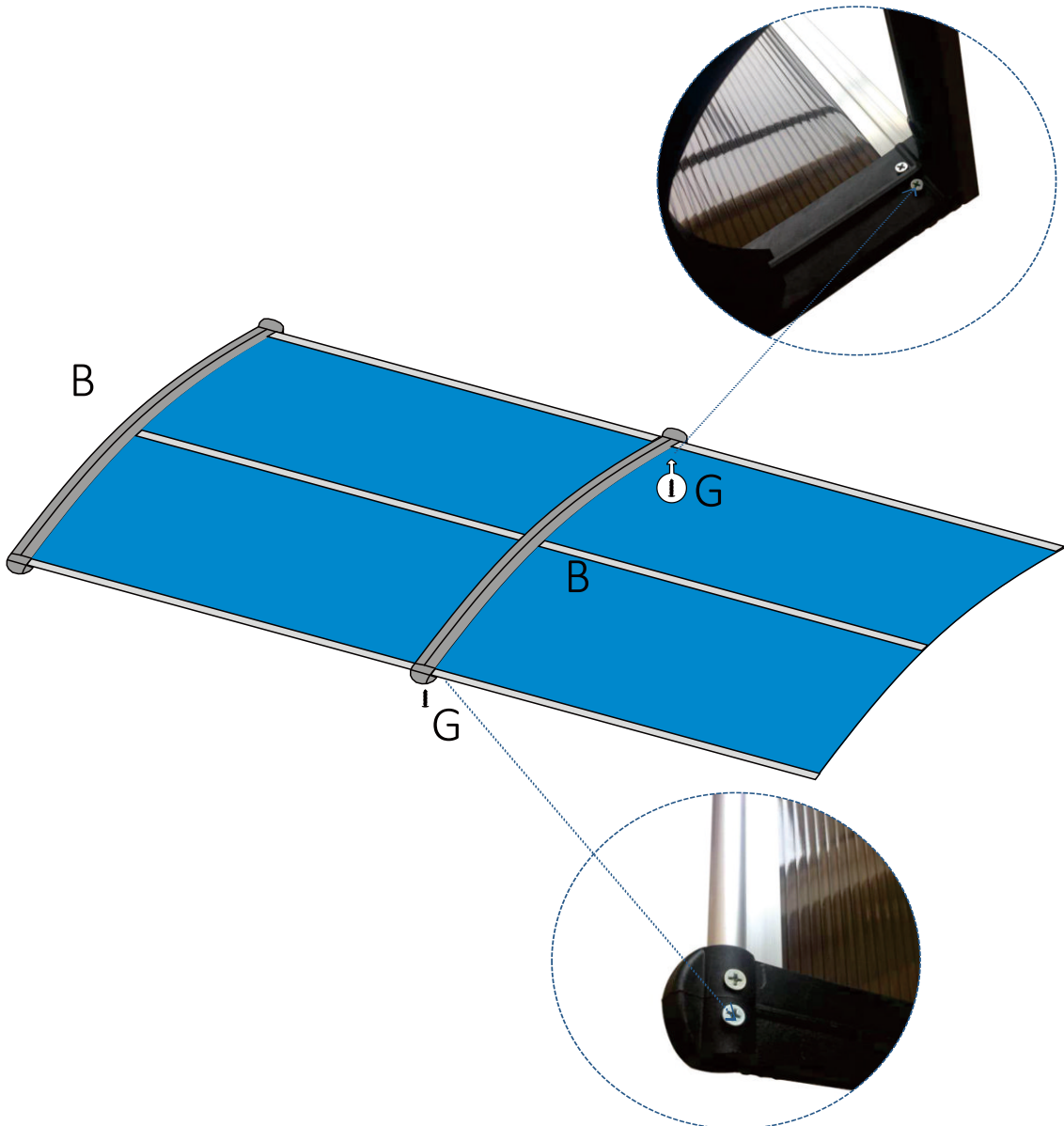
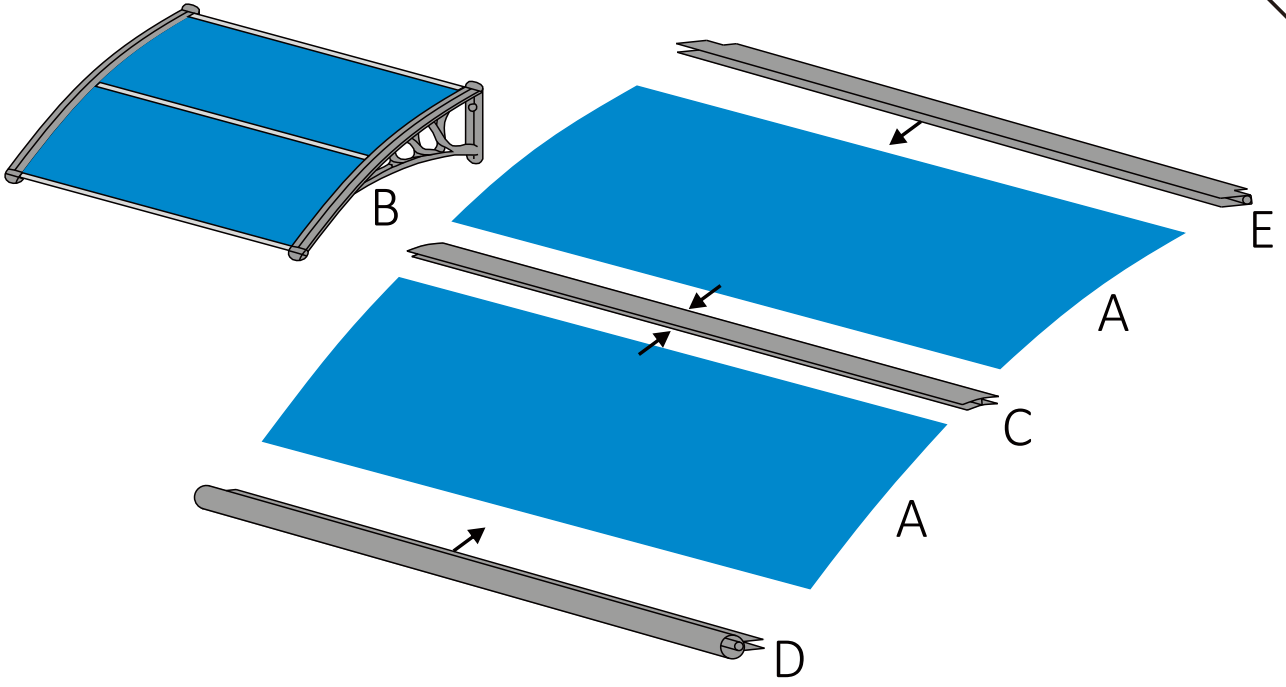
H x 8
+1(spare)



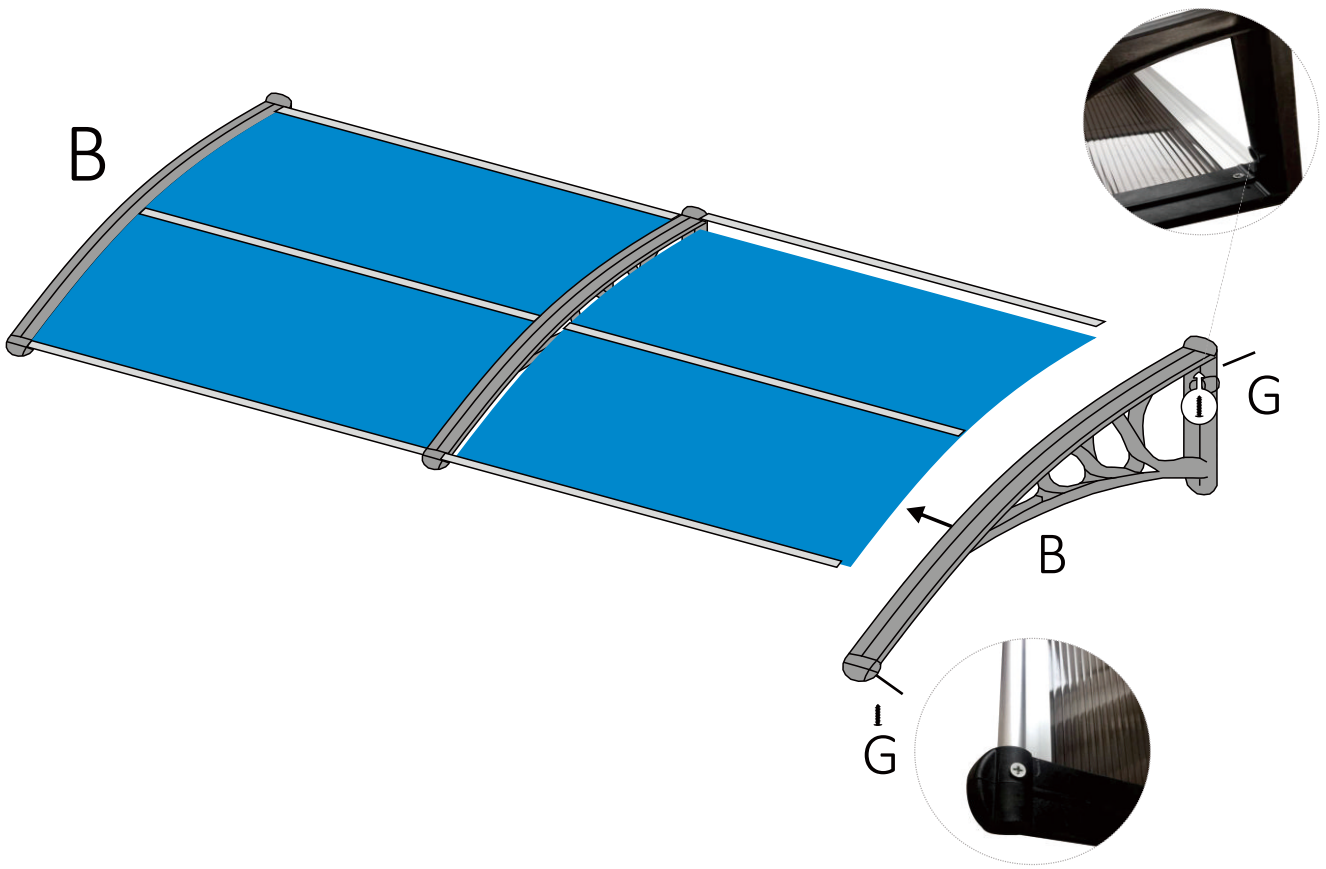
01







06



07

