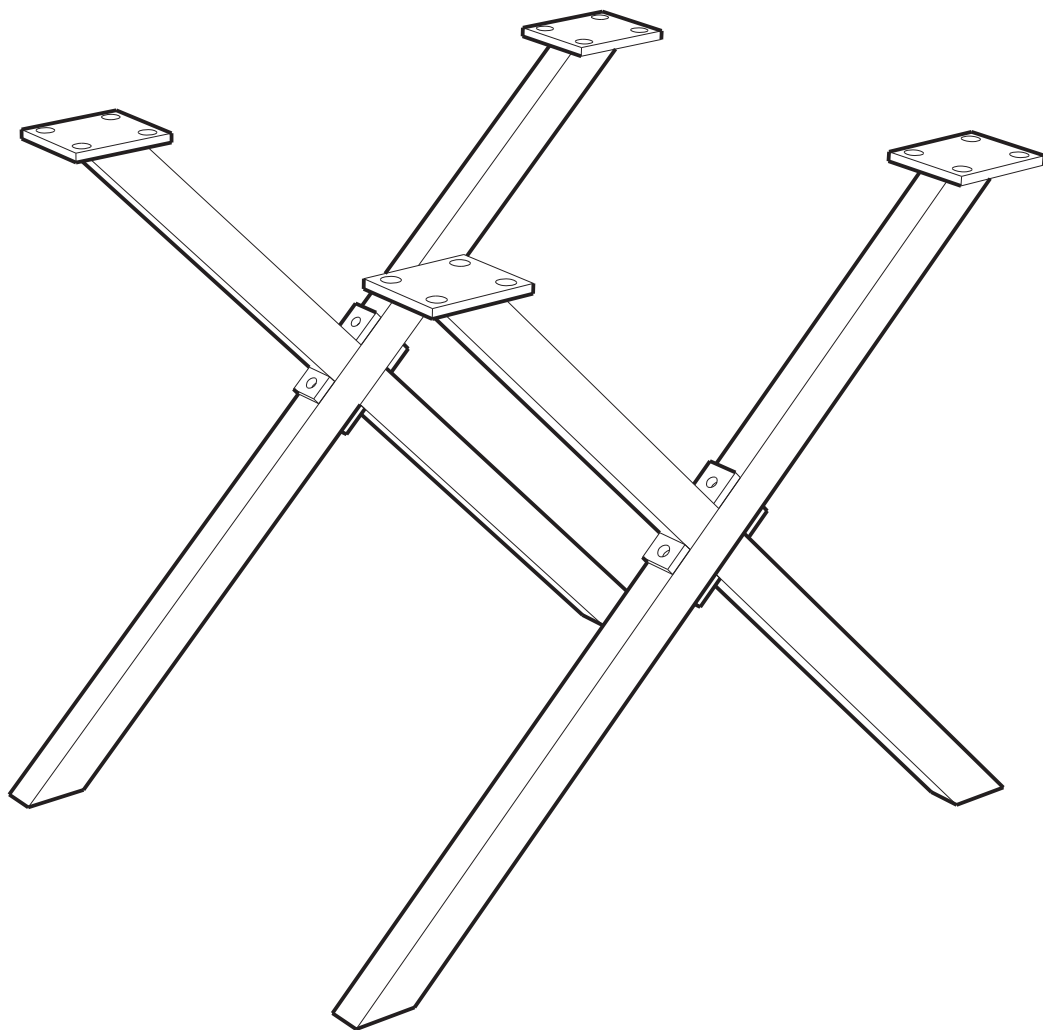




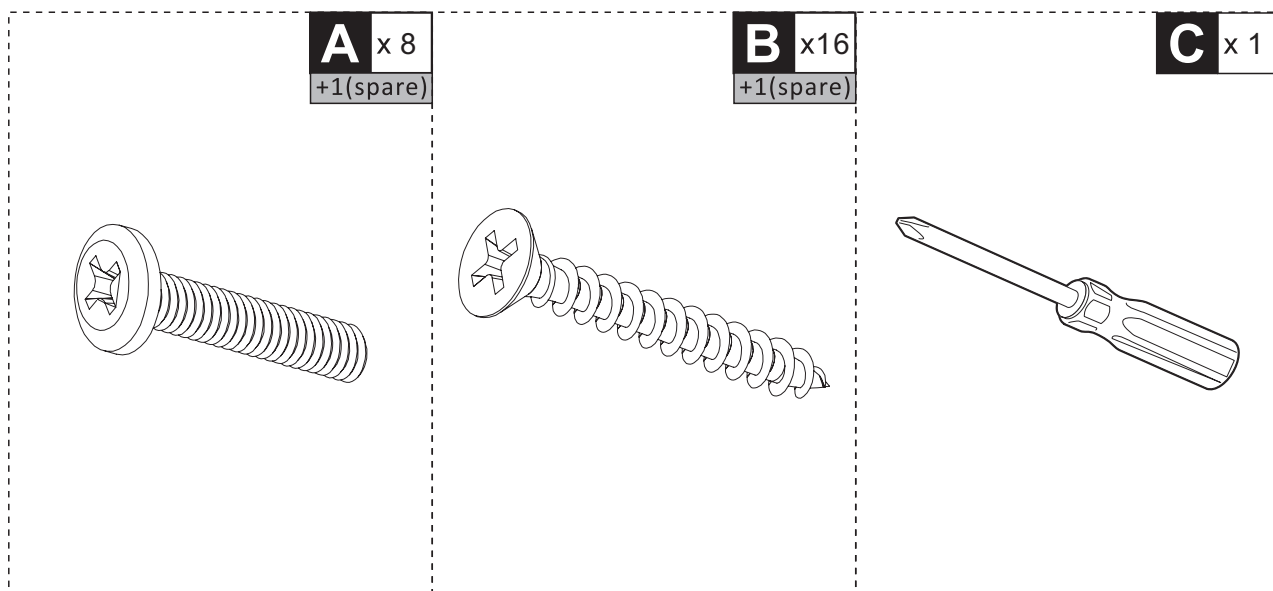
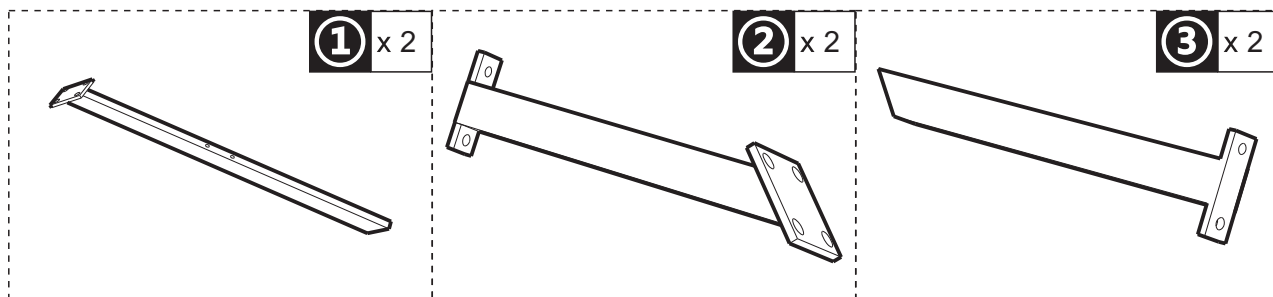
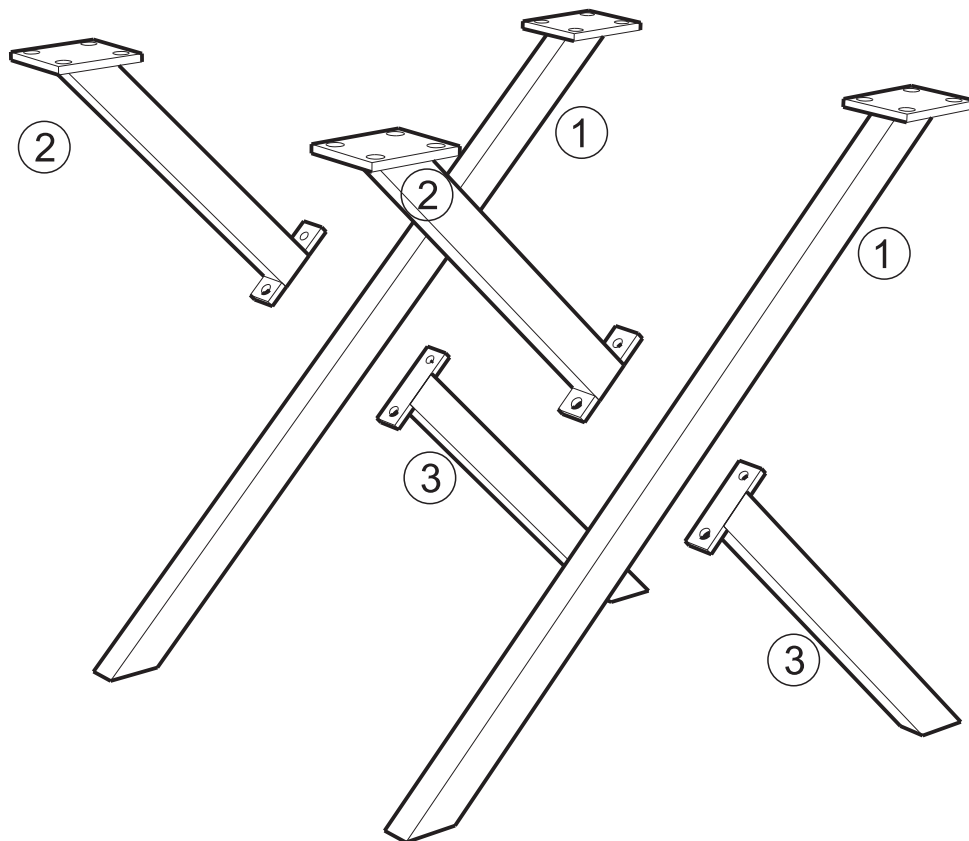
INcea070_US_CA_UK_ES_DE_IT

B82-002



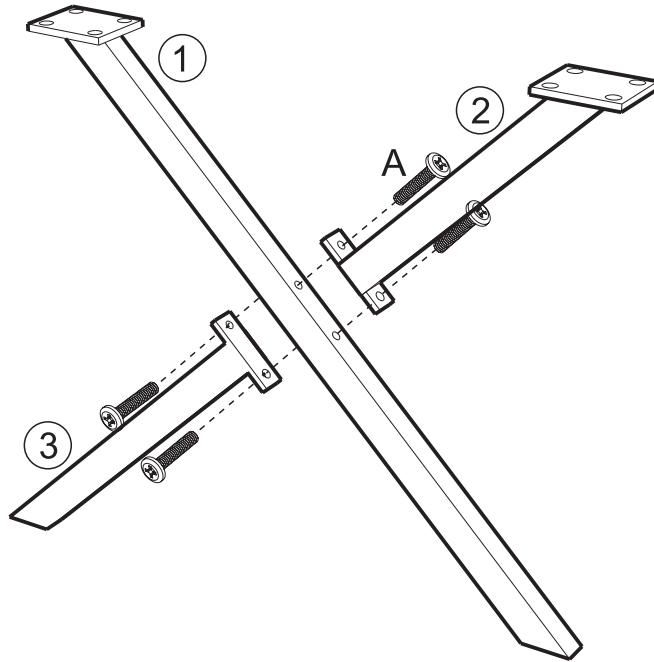
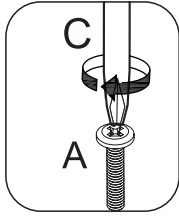
IMPORTANT, RETAIN FOR FUTURE REFERENCE: READ CAREFULLY

ASSEMBLY & INSTRUCTION MANUAL



A x 8

C x 1



x2

