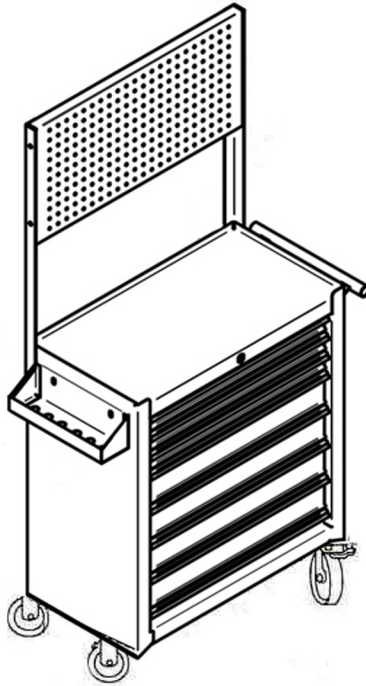


B20-001



Please read these instructions and warranty information carefully before use and keep them properly for future reference.

OPERATING INSTRUCTIONS

Part List



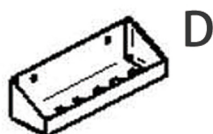
Handle
(1PCS)



Rigid casters
(2PCS)



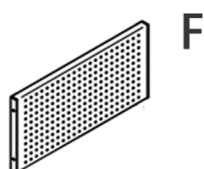
Swivel casters
(2PCS)



Side tray
(1PCS)



HOOK
(6PCS)



hanging panel (1pcs)



post (2pcs)



**Washers
for caster**
(30PCS)



**Spring washers
for caster**
(30PCS)



**Bolts
for caster**
(14PCS)



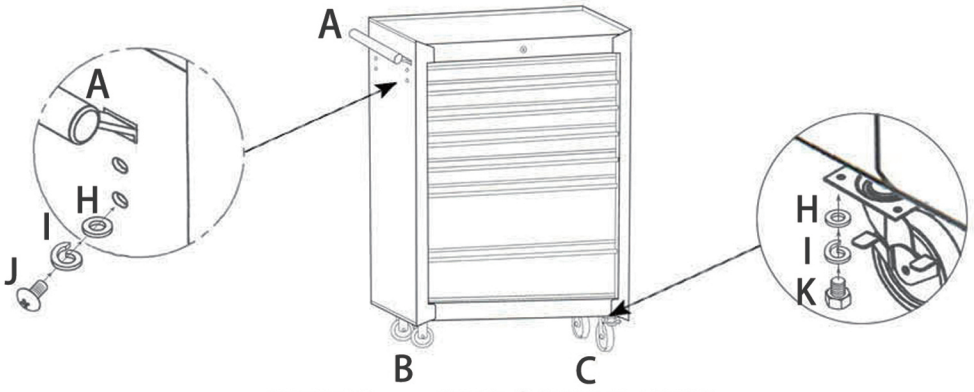
**Hex bolts
for caster**
(16PCS)



Hex nuts
(4PCS)

Assembly Instructions

STEP 1



STEP 2

