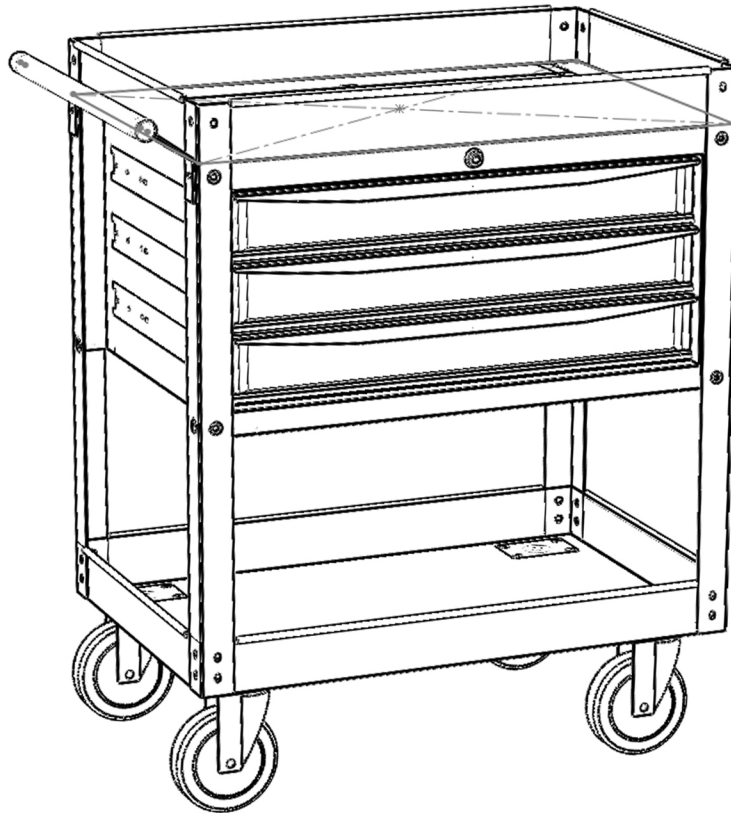




# STEEL TOOL CART

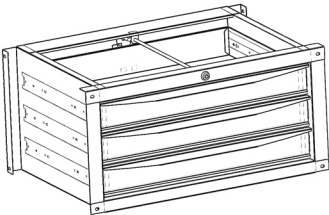
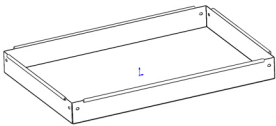
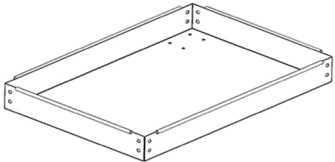
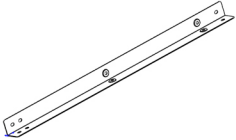
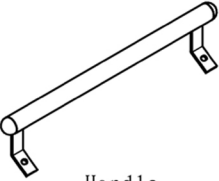





B20-051

## ASSEMBLY INSTRUCTIONS

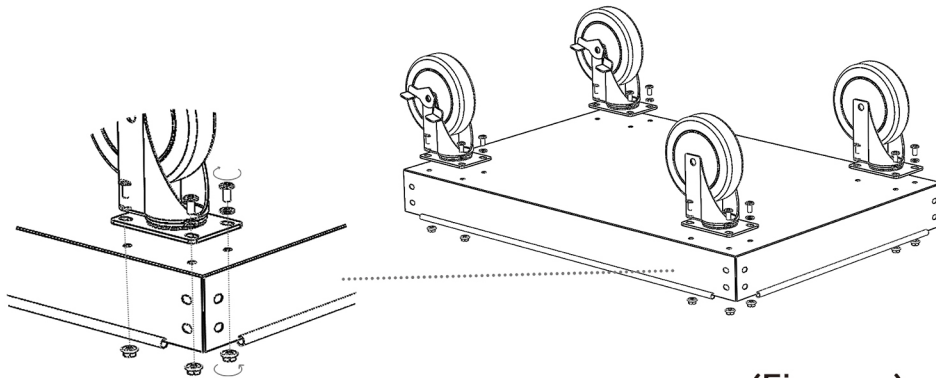


26.7 (W) X18 (D) X28 (H) IN

### PARTS LIST

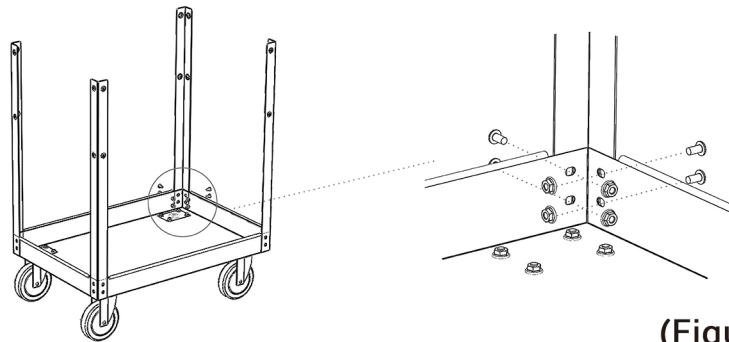
					
Upper shelf (1 pcs)	Top tray (1 pcs)	Bottom shelf (1 pcs)	Corner frame (4 pcs)		
					
Handle (1 pcs)	Fixed caster (2 pcs)	Caster w/brake (2 pcs)	Bolt M6X12 (46 pcs)	Hex nut corner frame (46 pcs)	Washer for Caster (16 pcs)

Using four Carriage Bolts, four Washers for Caster, and four Hex Nuts for Caster, attach Swivel Caster to the next corner of the Bottom Shelf and last, follow the same directions for the final Swivel Caster.(Figure 1)



(Figure 1)

**Note:**“Like” Casters should be attached to each corner of the narrow sides of the Bottom Shelf. There are two Swivel Casters (free rolling), and two swivel Casters w/Brake.(Figure 1)



(Figure 2)

Using Carriage Bolts, and Hex Nut, attach the Corner Framse to each of the four corners of the Bottom Shelf.(Figure 2)

**NOTE:** Pay close attention to the assembly direction of the Corner Frames. It is possible to install them upside down. This would have to be corrected before the assembly could be completed. The first hole in the top/upside measures 1.38” from the end. The first hole in the downside/bottom measures 1.02” from its end.(Figure 2)

