



INcec004V03_GL

B40-015



IMPORTANT, RETAIN FOR FUTURE REFERENCE: READ CAREFULLY

ASSEMBLY & INSTRUCTION MANUAL

PARTS



A x 4



B x 4



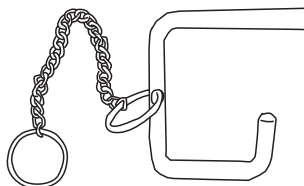
C x 2



D x 4



E x 2

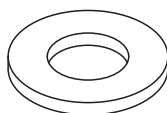


F x 4

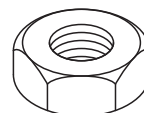
HARDWARE



1 x 8
M8*45
+1(spare)



2 x16
M8
+1(spare)



3 x 8
M8
+1(spare)



4 x16
M6*35
+1(spare)



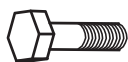
5 x32
M6
+2(spare)



6 x16
M6
+1(spare)



7 x 4
M5*15



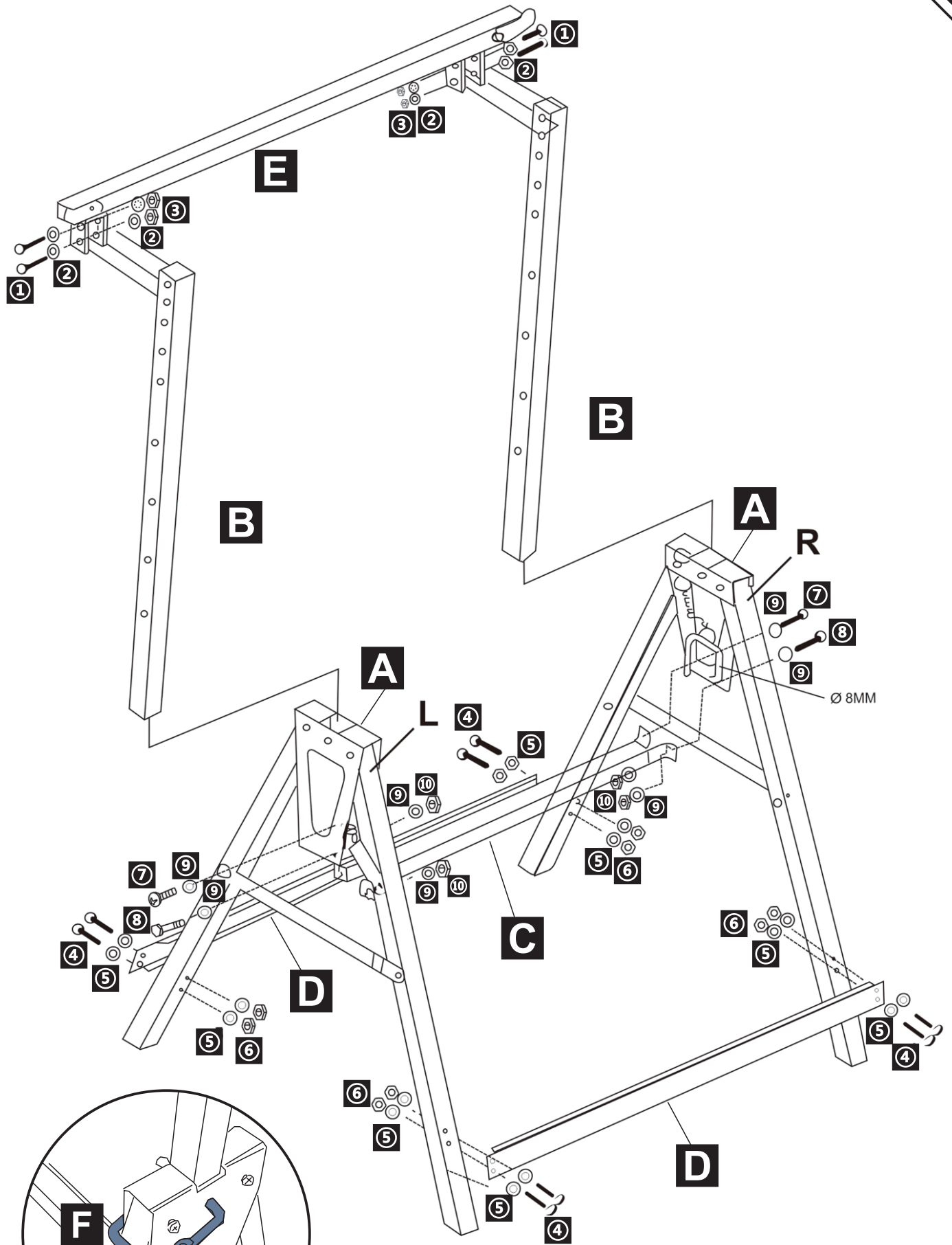
8 x 4
M5*15



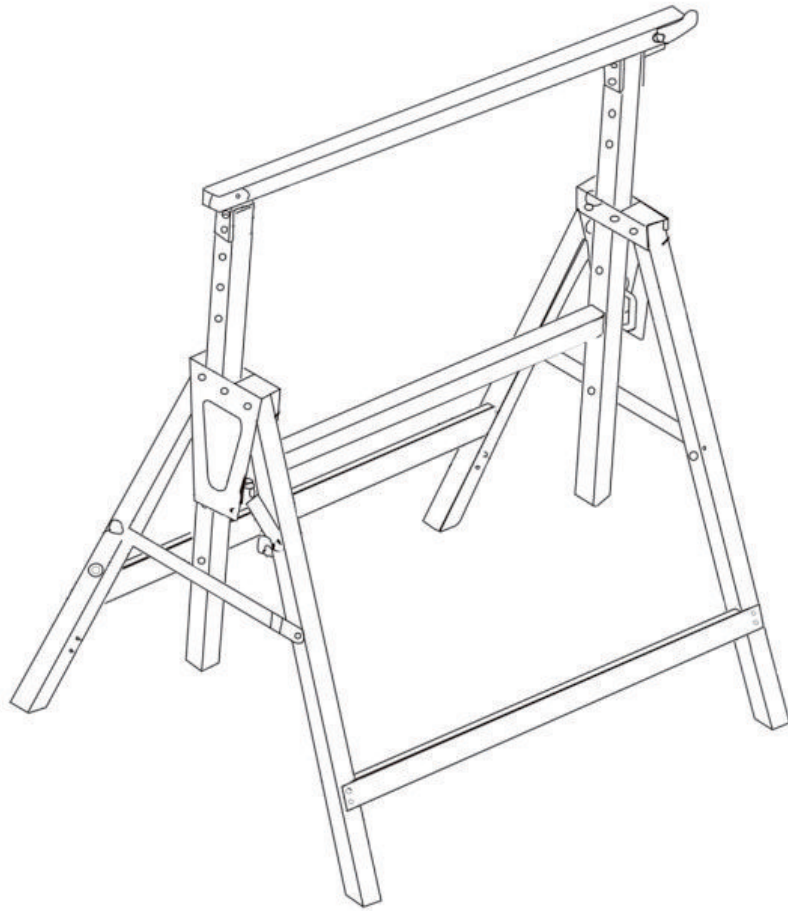
9 x16
M5
+1(spare)



10 x 8
M5
+1(spare)



x2



x2

Done

