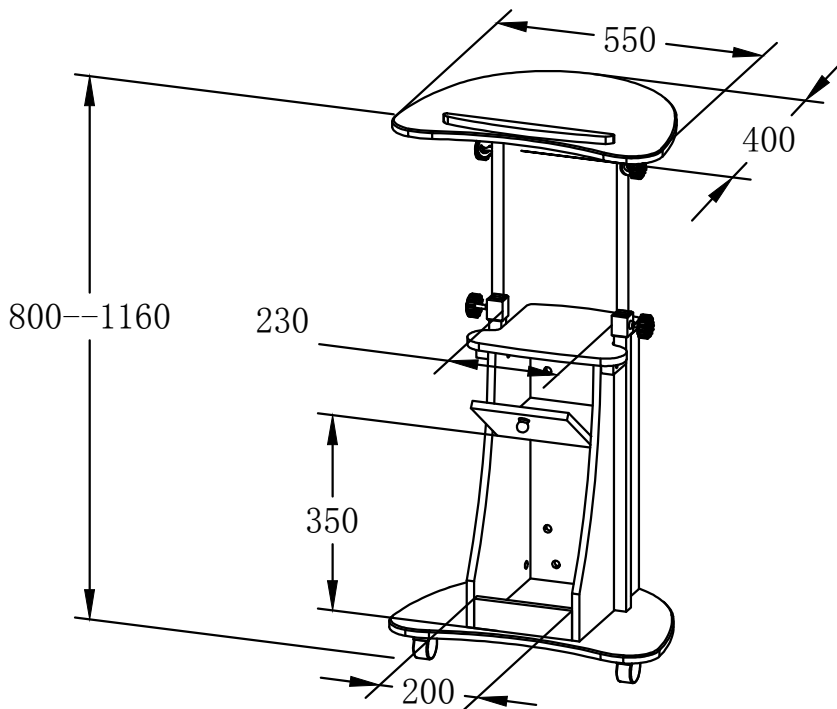




Assembly Instructions



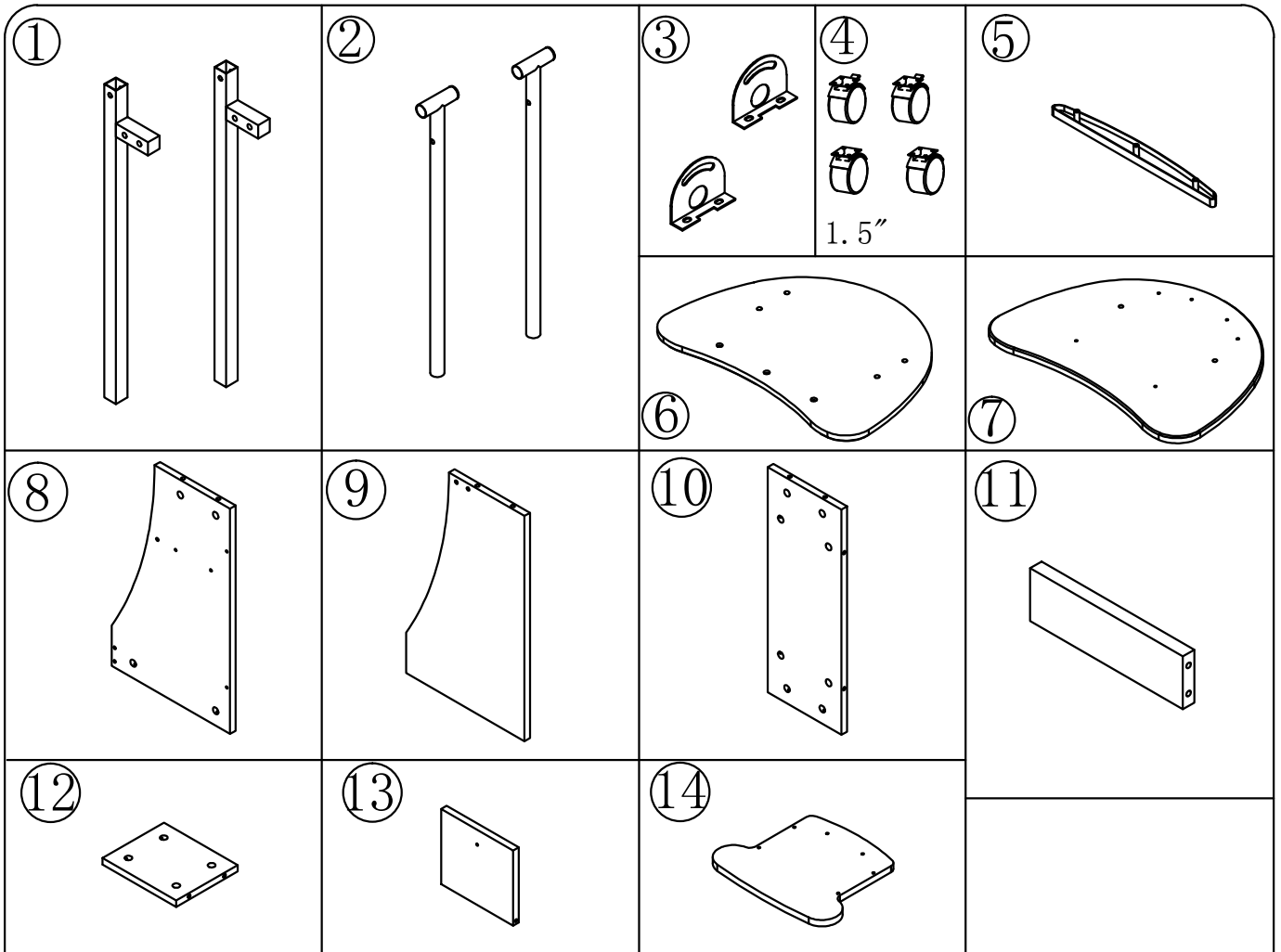
MDF Computer PC Table 920—014 / 920—014BK

Special Warnings

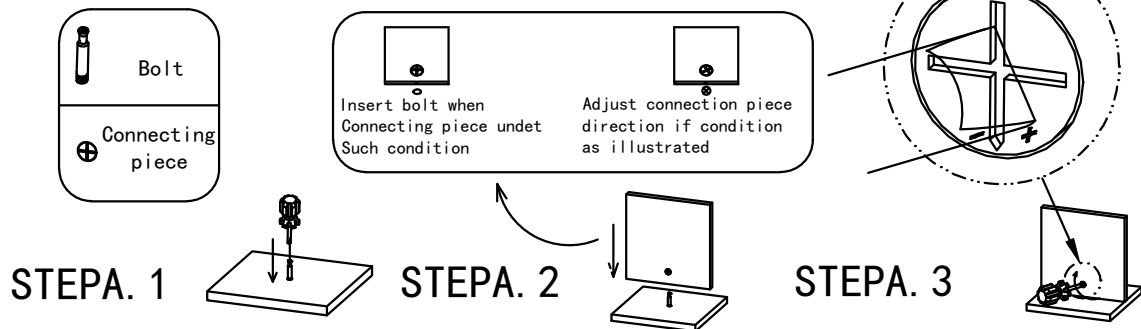
- Keep your furniture out of direct sunlight. Please use desk pads and coasters to protect the surface from dents, scratches, and moisture from hot or cold liquids.
- For cleaning, wipe the surface with a damp (not wet) cloth or wipe dry with a clean lint free cotton cloth. Window cleaning liquid or a similar cleaning liquid can be used to clean glass surface.









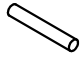
Operation Instructions


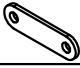






- Please check that all parts are present before you start the assembly of your furniture. For the protection of your furniture, place all parts on a clean and smooth surface to prevent any damage.
- Please periodically check all fitting and re-tighten as necessary.
- Please assemble the table by 2 persons or more.
- Do NOT over tighten hardware.

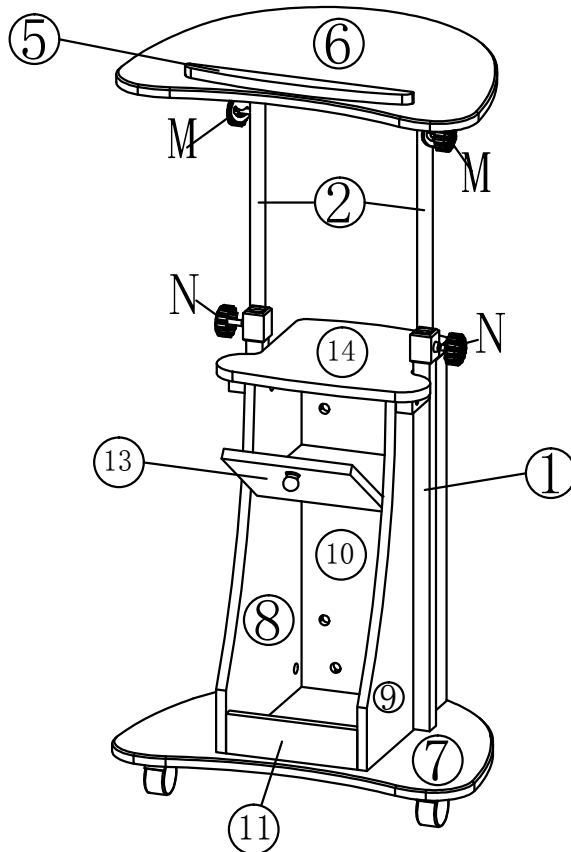


6X45mm bolt installation as below



PART	ITEM	QTY.	
A		20	
B		20	
C	M6X35	6	
D	M6X12	4	
E	M4X20	1	
F	M3.5X14	20	
G	M3.8X14	3	
H	Φ 6	2	
I	Φ 6X40	4	

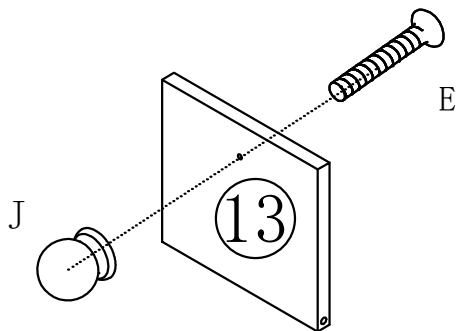
PART	ITEM	QTY.	
J		1	
K		1	
L		1	
M	M6	2	
N	M8	2	
O		2	
P		2	
Q			



1

. SCREWS

E M4X20
1 PCS

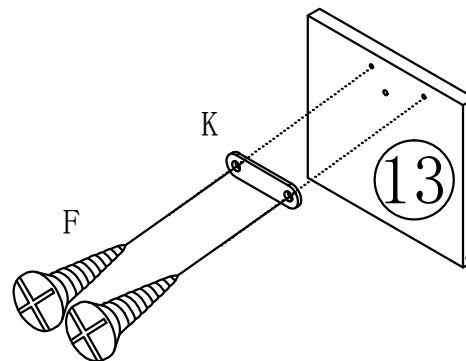


2

. SCREWS

F M3.5X14

2 PCS



3

. SCREWS

A 4 PCS



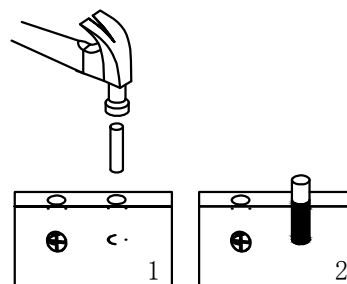
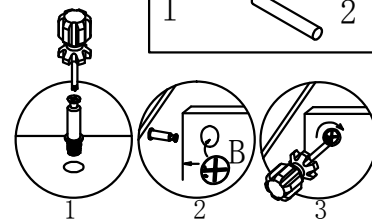
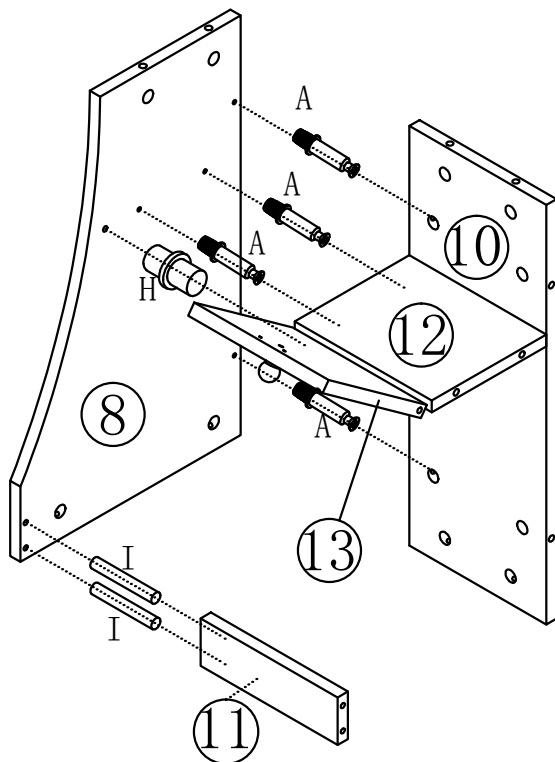
B 4PCS



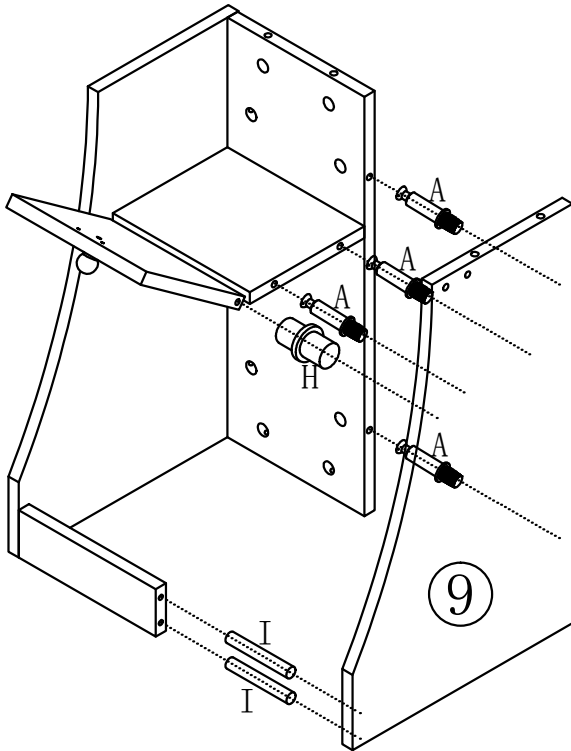
H 1 PCS








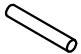
I 2 PCS

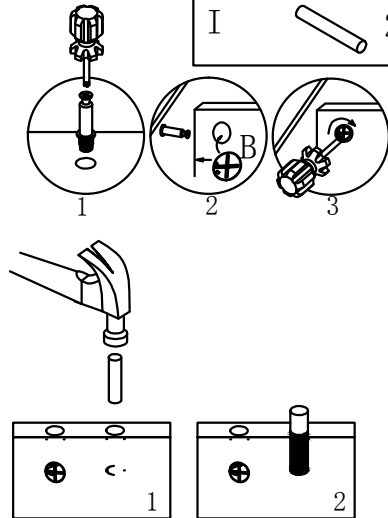


4





. SCREWS

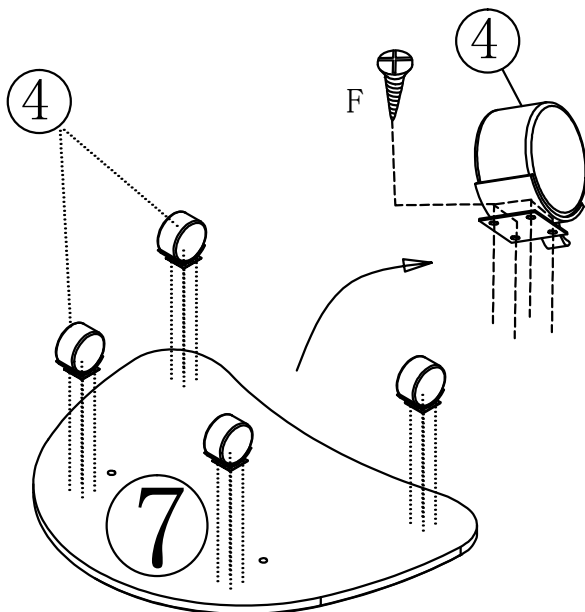
- | | | | |
|---|---|-------|---|
| A |  | 4 PCS |  |
| B |  | 4PCS |  |
| H |  | 1 PCS | |
| I |  | 2 PCS | |



5



. SCREWS

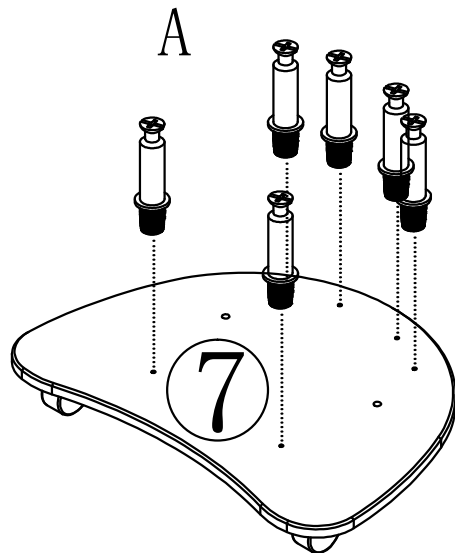
- | | | | |
|---|----------|---|---|
| F | M3. 5X14 |  |  |
| | 16PCS | | |



6

. SCREWS

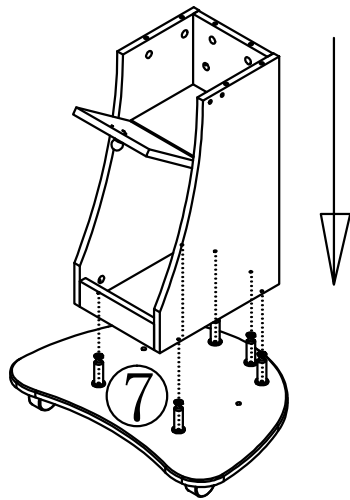
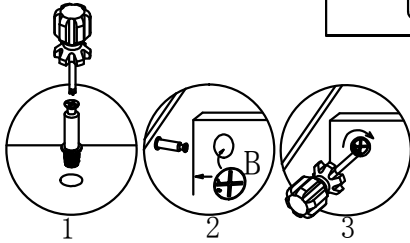
- | | | | |
|---|---|-------|---|
| A |  | 6 PCS |  |
|---|---|-------|---|



7

. SCREWS

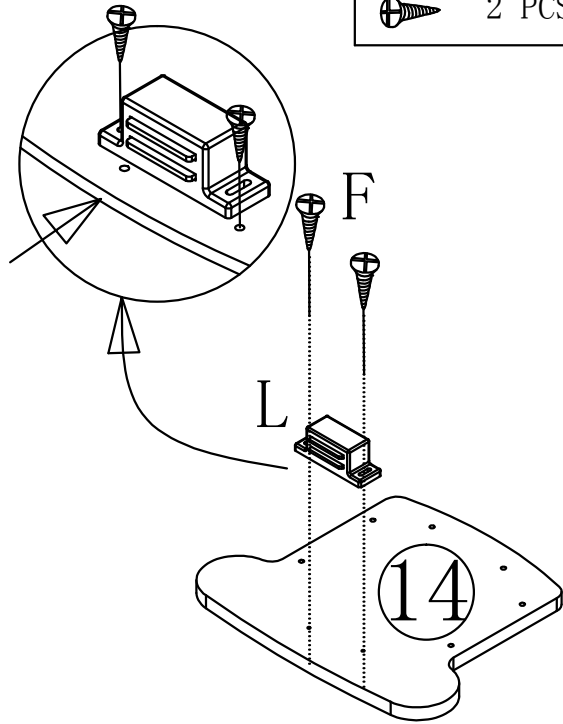
B 6PCS



8

. SCREWS

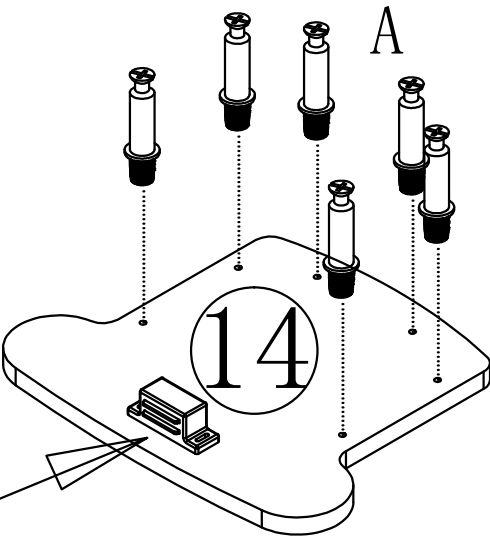
F M3. 5X14
2 PCS



9

. SCREWS

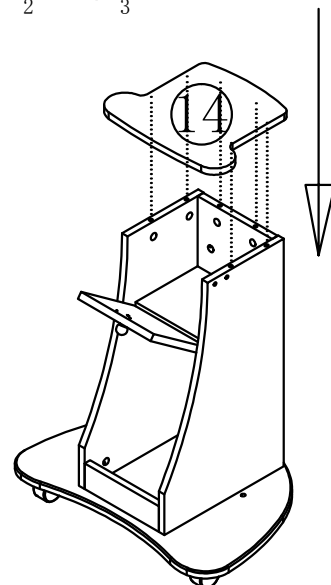
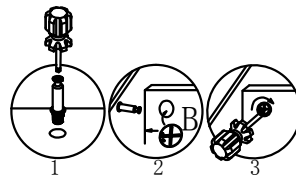
A 6 PCS

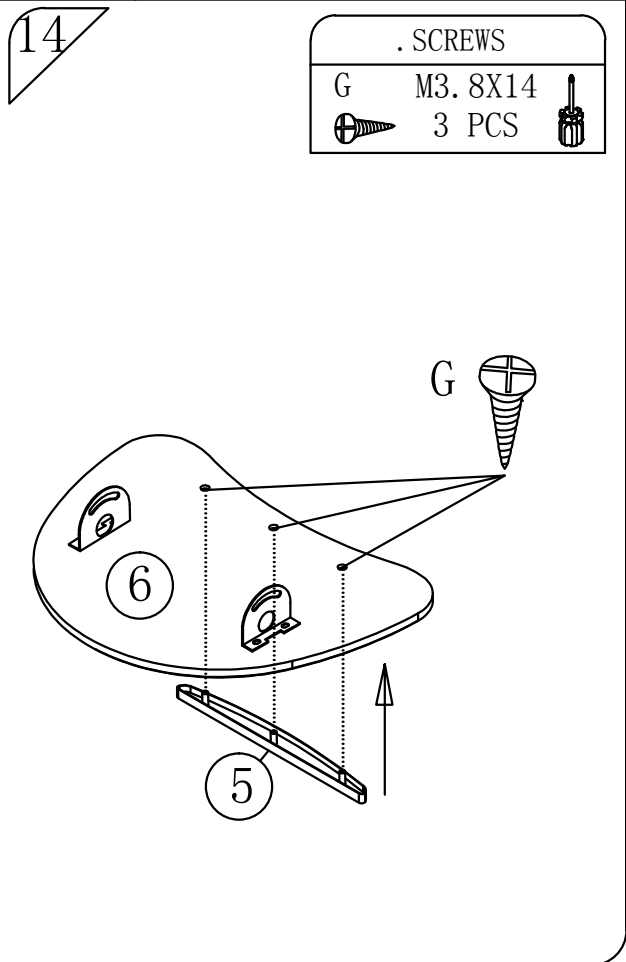
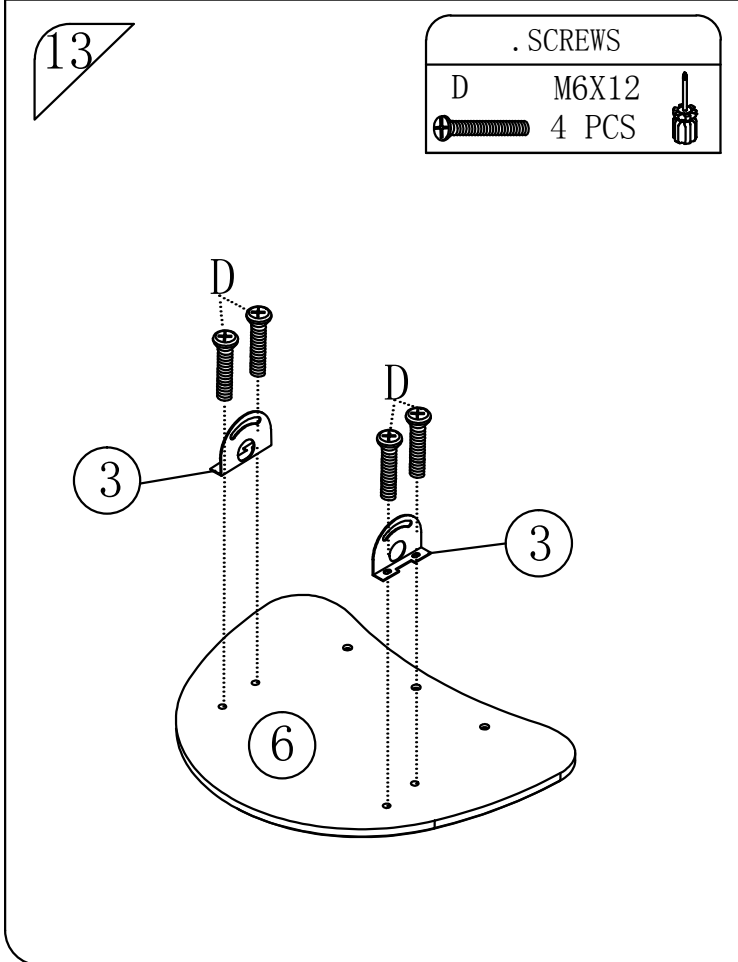
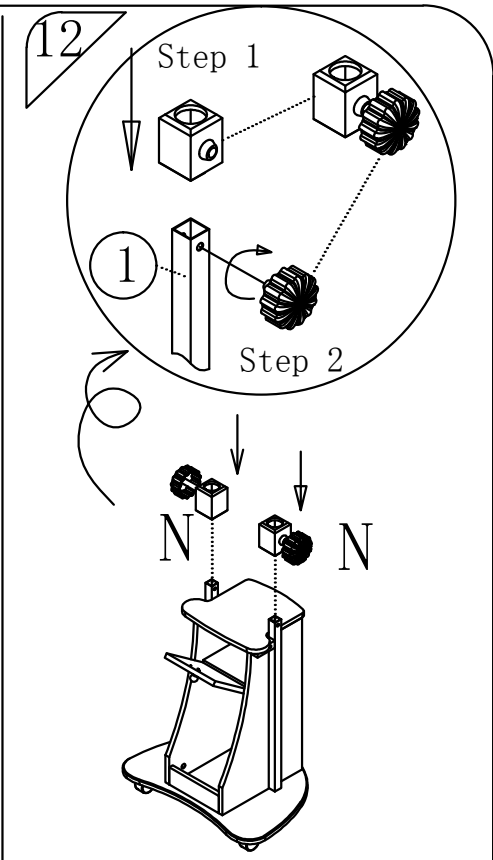
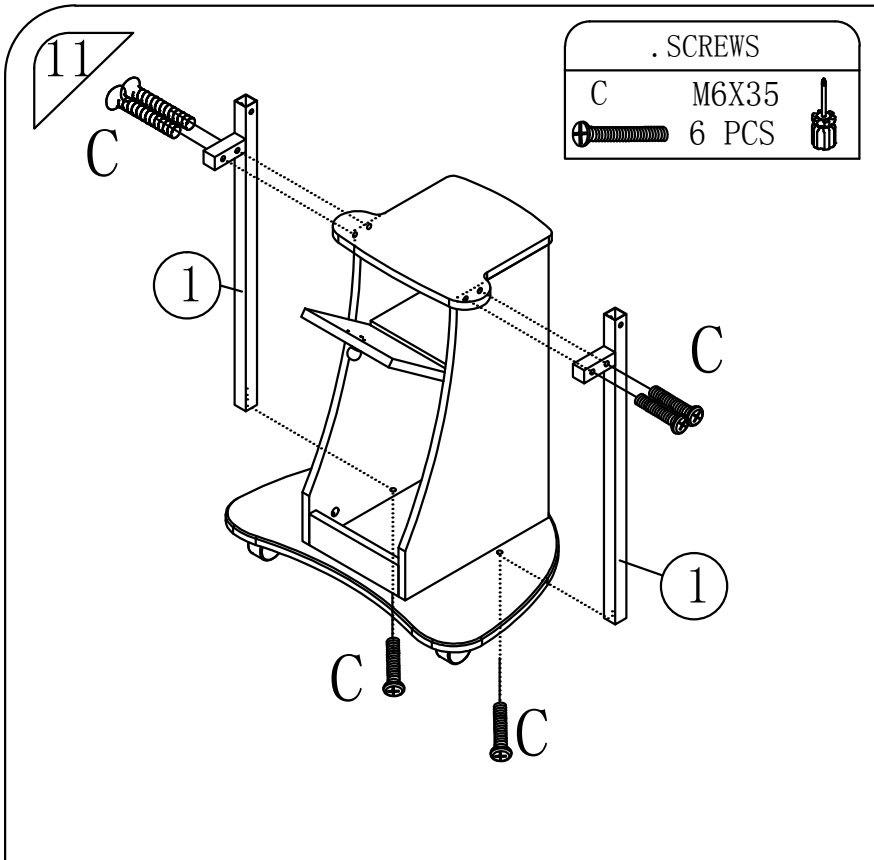


10

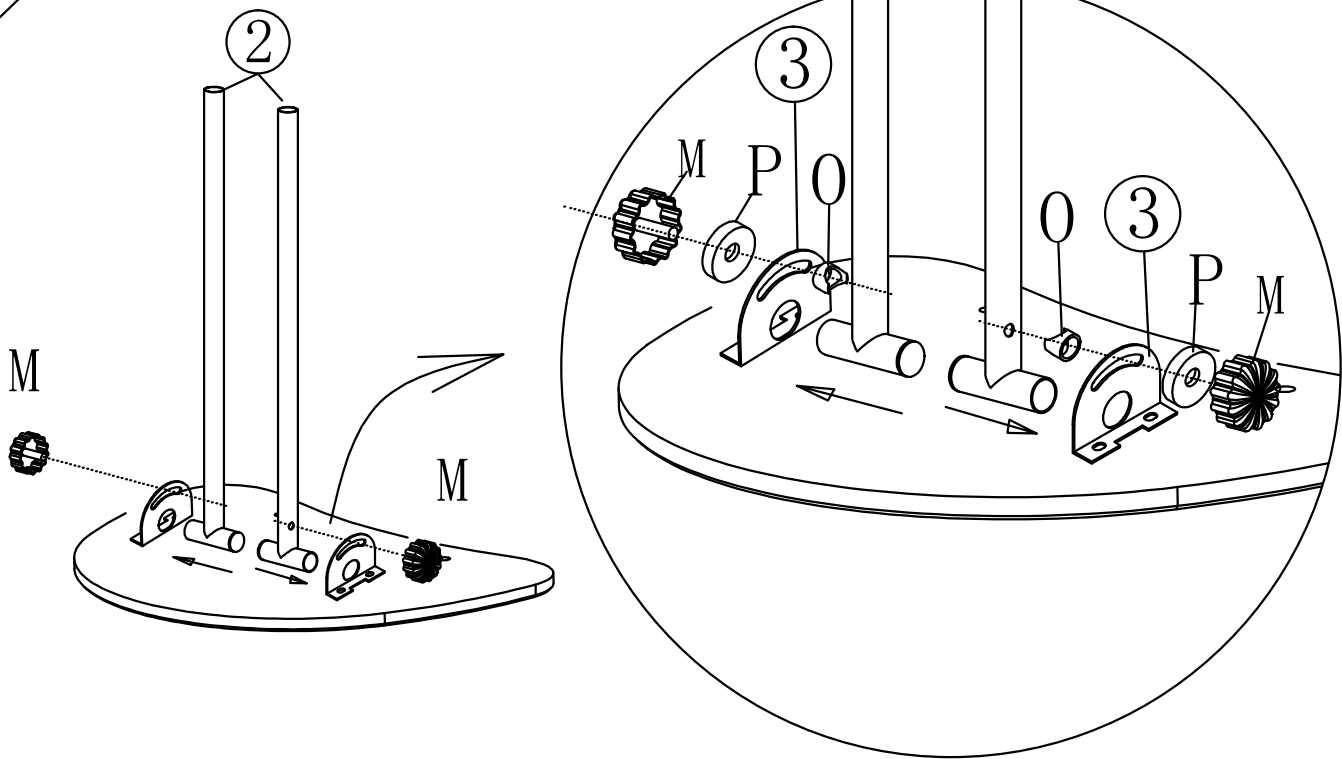
. SCREWS

B 6PCS





15



16

