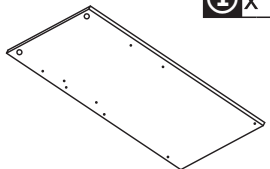


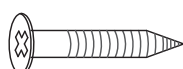
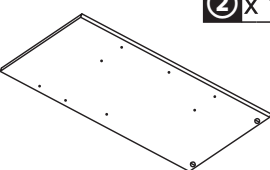
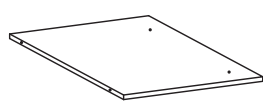

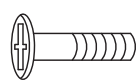
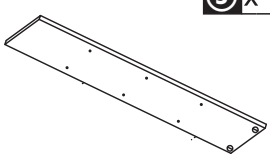
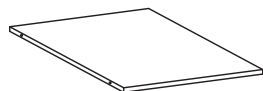


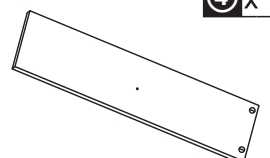

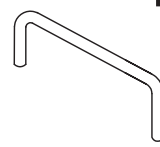
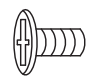
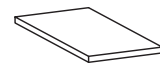


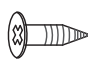
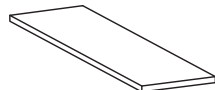
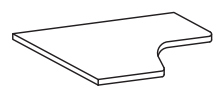


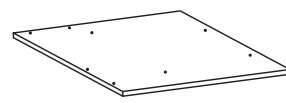

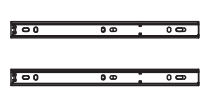
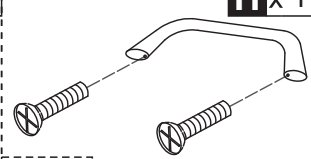
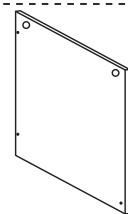
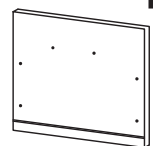
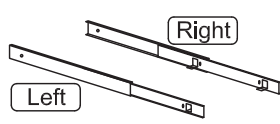
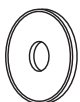
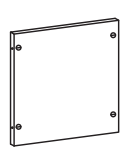
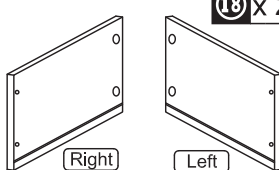
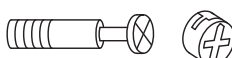


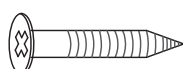

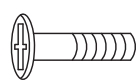


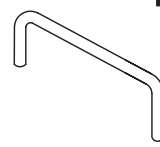
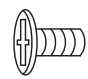

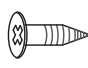


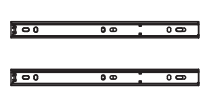
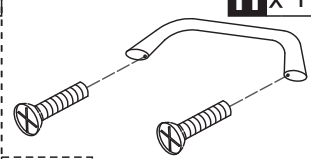
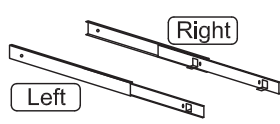
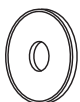
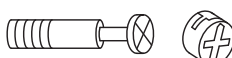



Assembly video please scan the QR code .

READ AND SAVE THIS INSTRUCTIONS FOR FUTURE USE

ASSEMBLY & INSTRUCTION MANUAL

 ① x 1	 ⑩ x 1	 ⑱ x 1	 B x 33
 ② x 1	 ⑪ x 1	 ⑳ x 1	 C x 7
 ③ x 1	 ⑫ x 1	 ㉑ x 1	 D x 2
 ④ x 1	 ⑬ x 1	 ㉒ x 1	 E x 4
 ⑤ x 2	 ⑭ x 1	 ㉓ x 2	 F x 12
 ⑥ x 1	 ⑮ x 1	 ㉔ x 3	 G x 4
 ⑦ x 1	 ⑯ x 4	 ㉕ x 1	 H x 1
 ⑧ x 1	 ⑰ x 1	 ㉖ x 1	 I x 2
 ⑨ x 1	 ⑱ x 2	 A x 18	 J x 8
		 ⑱ x 1	 B x 33
		 ⑳ x 1	 C x 7
		 ㉑ x 1	 D x 2
		 ㉒ x 1	 E x 4
		 ㉓ x 2	 F x 12
		 ㉔ x 3	 G x 4
		 ㉕ x 1	 H x 1
		 ㉖ x 1	 I x 2
		 A x 18	 J x 8

2.5MDF

M5*50

M6*30

M6*25

M6*10

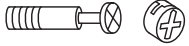
M4*14

M4*6

M4*18

M6*38

A x 8



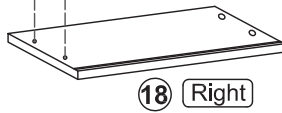
M6*38

H x 1



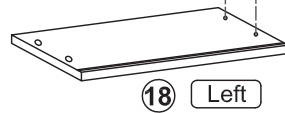
M4*18

A x 2

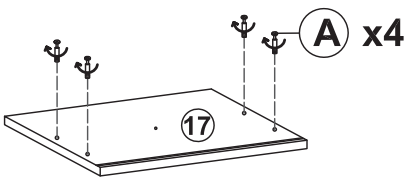
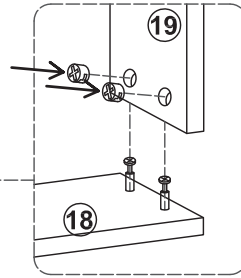
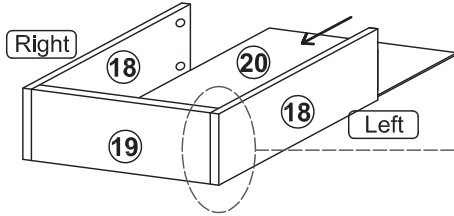


Right

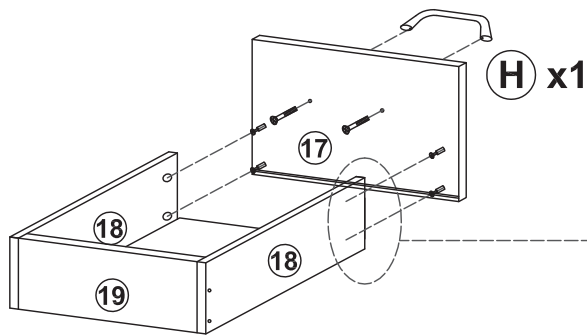
A x 2



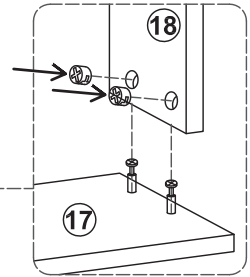
Left



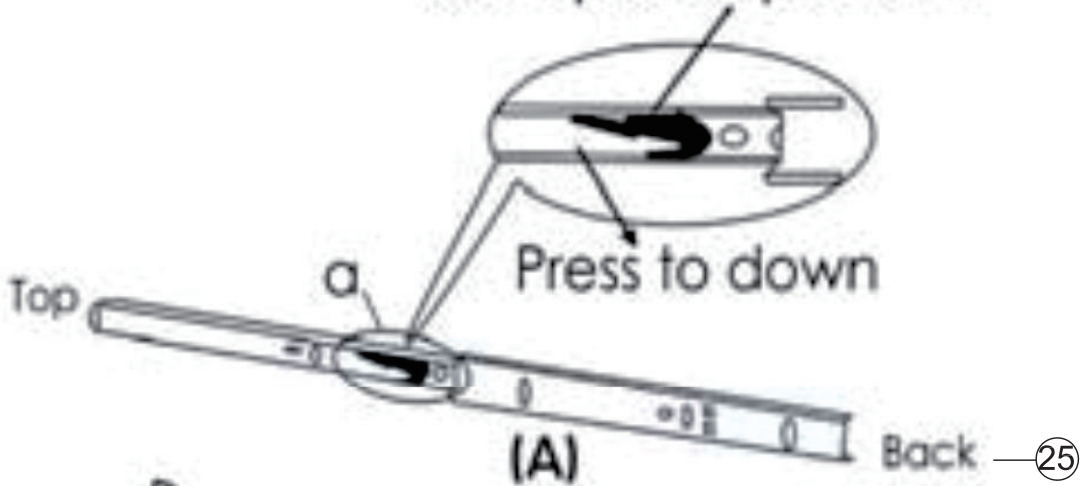
A x 4



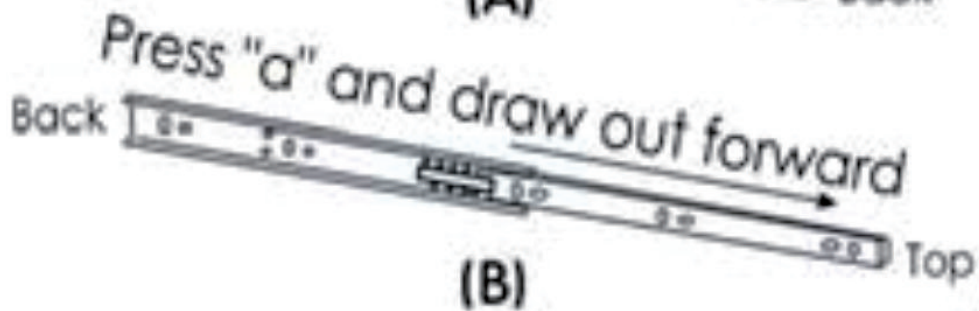
H x 1



Black plastic piece "a"



(A)



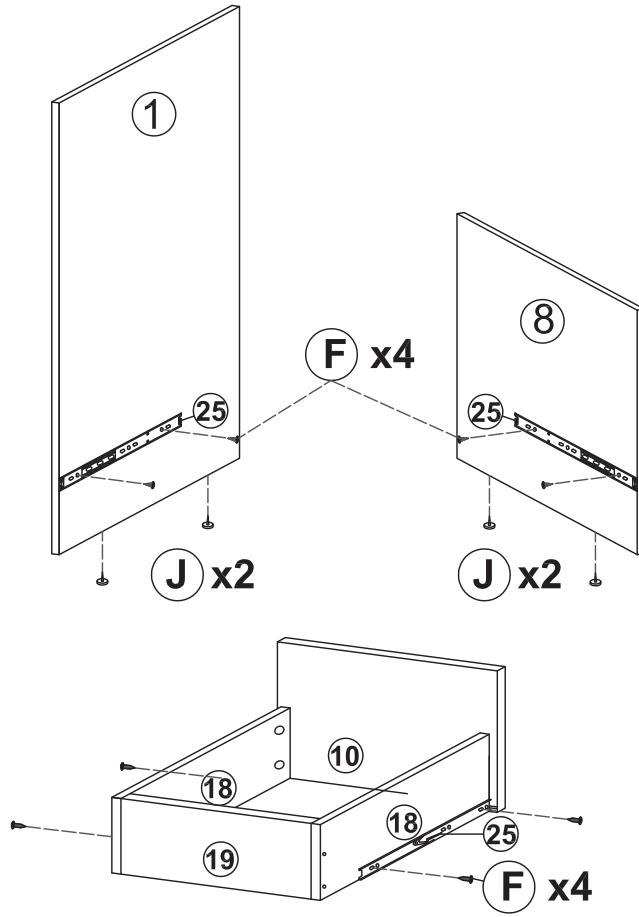
(B)

F x 8

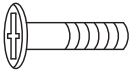


M4*14

J x 4

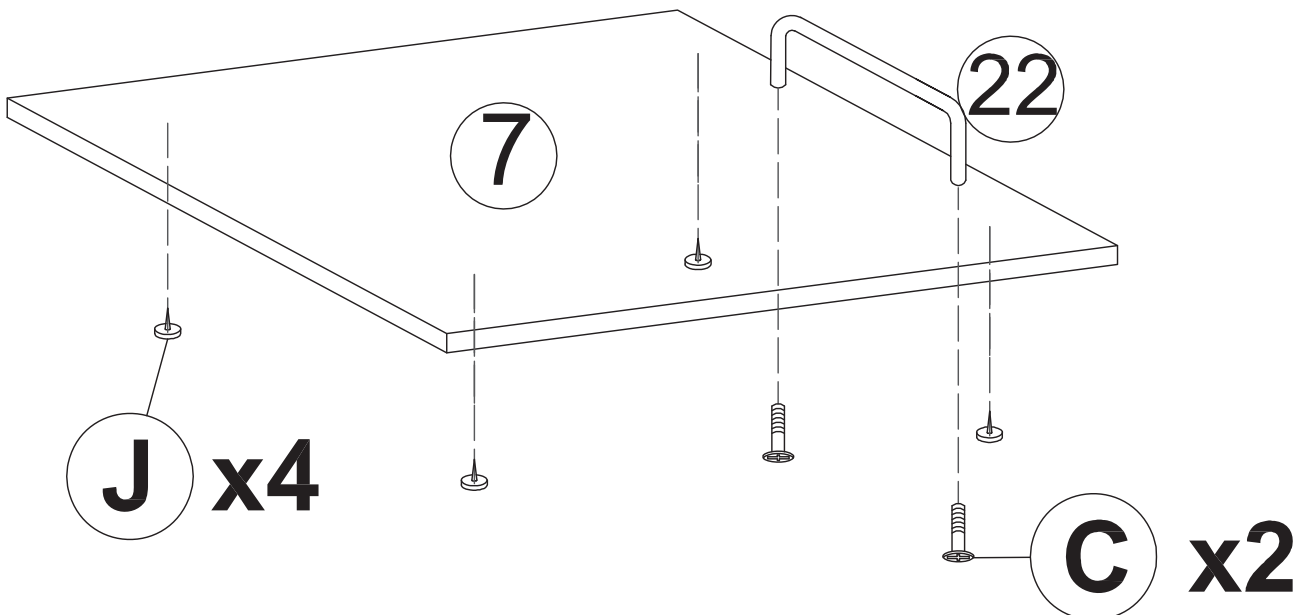


C x 2

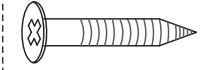


M6*30

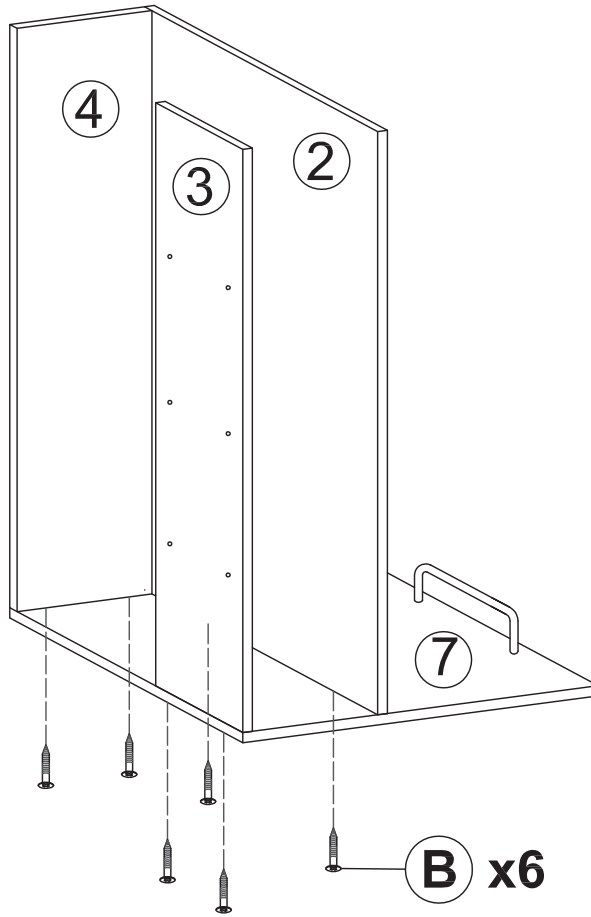
J x 4



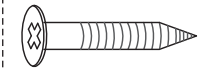
B x 6



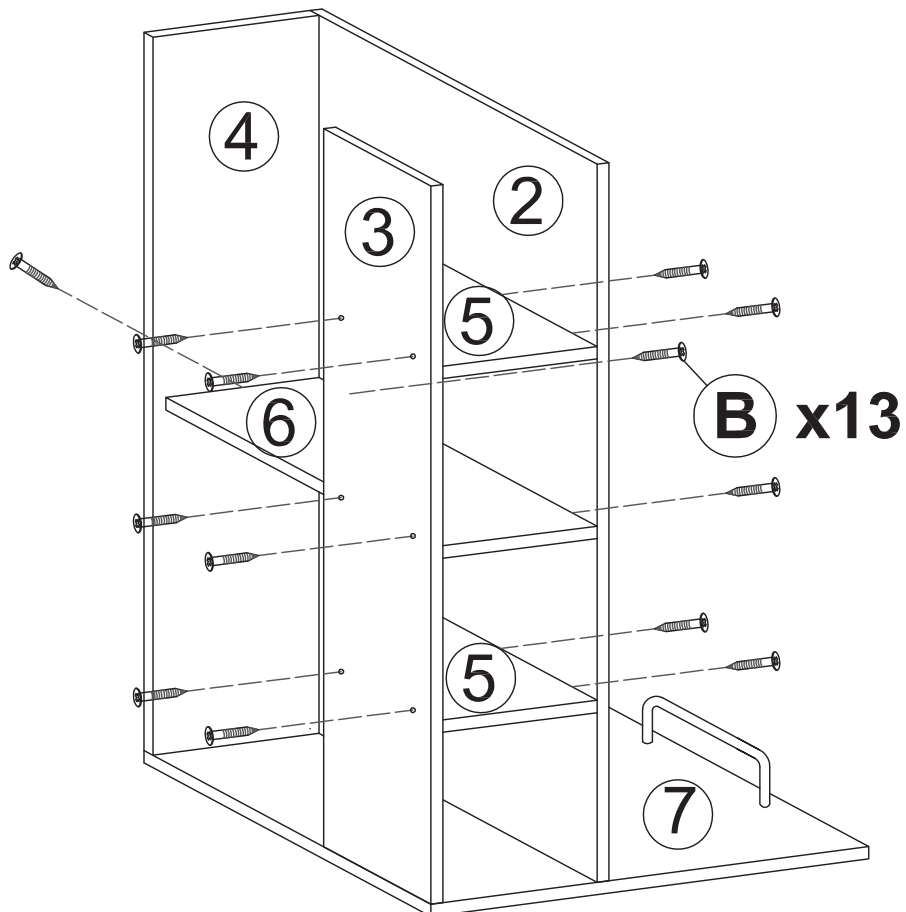
M5*50



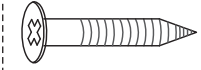
B x 13



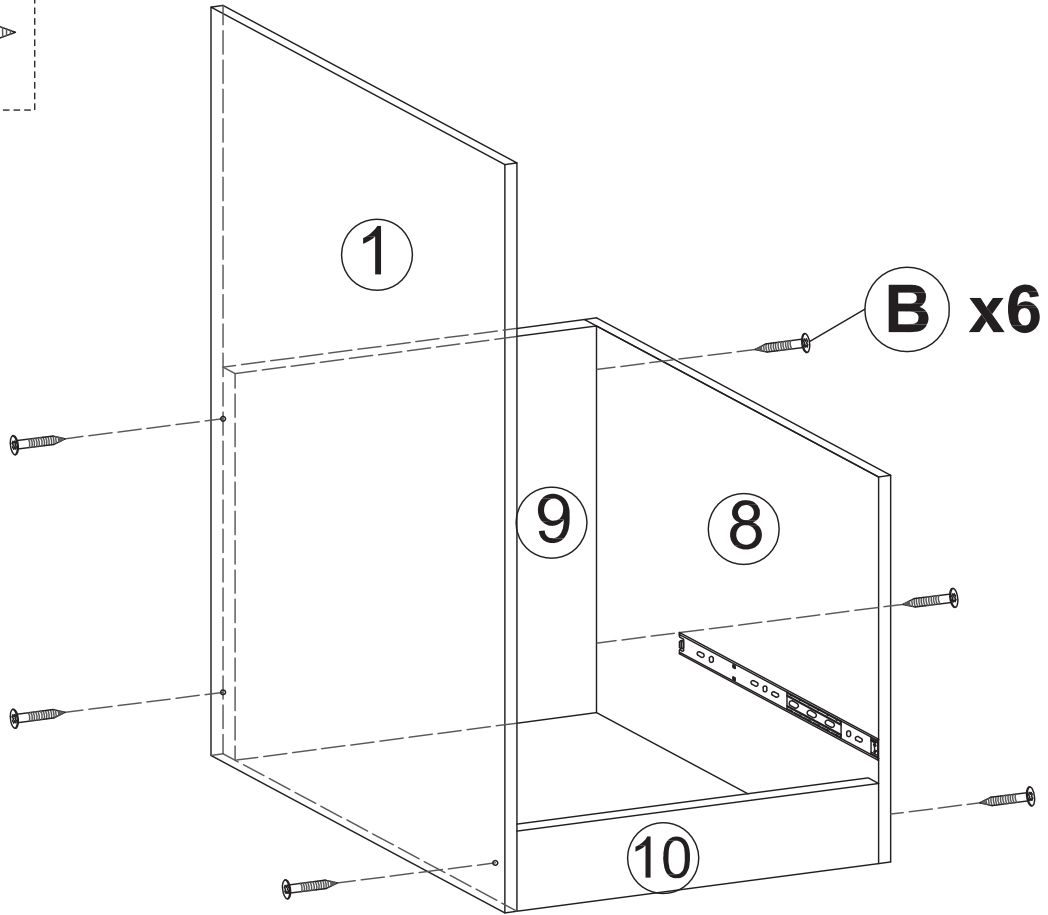
M5*50



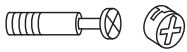
B x 6



M5*50

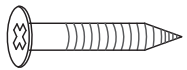


A x 2

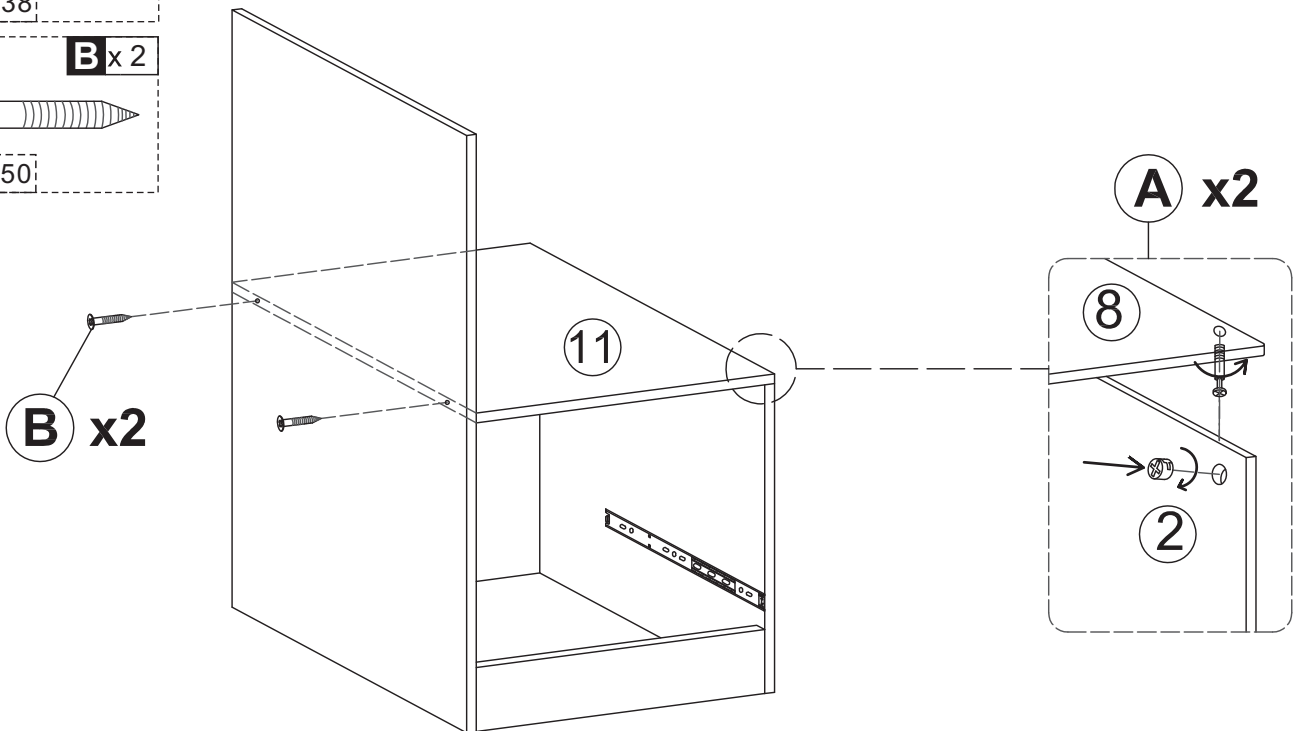


M6*38

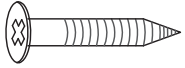
B x 2



M5*50

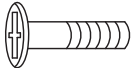


B x 2



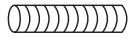
M5*50

C x 2



M6*30

D x 2



M6*25

I x 2



B x 2

D x 2

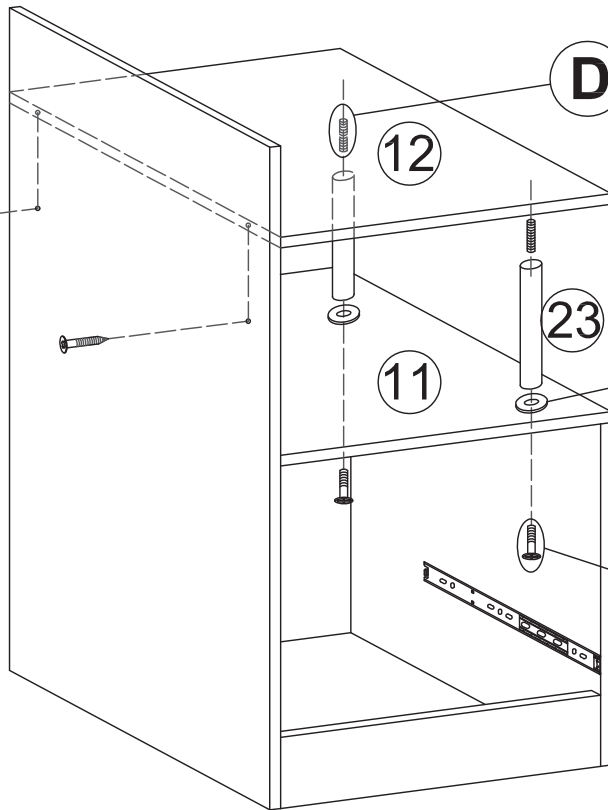
12

11

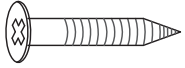
23

I x 2

C x 2



B x 4



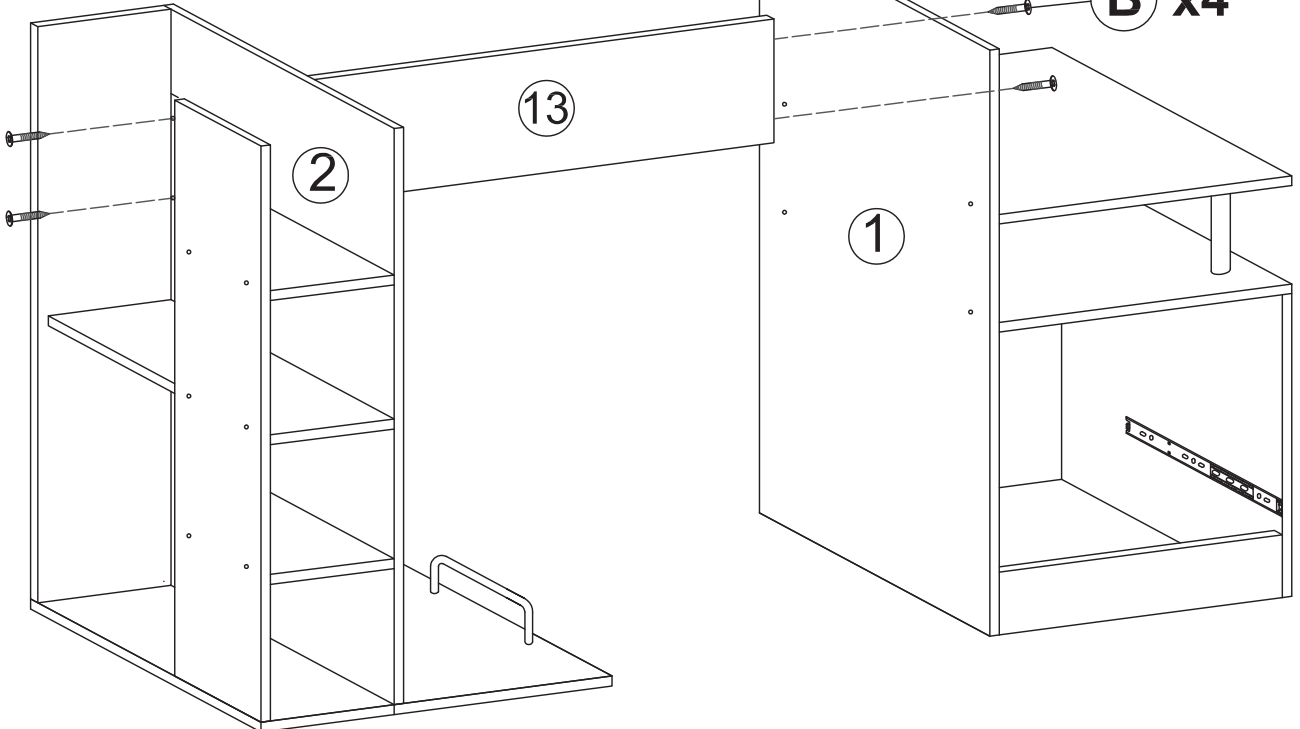
M5*50

B x 4

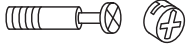
13

2

1



A x 8

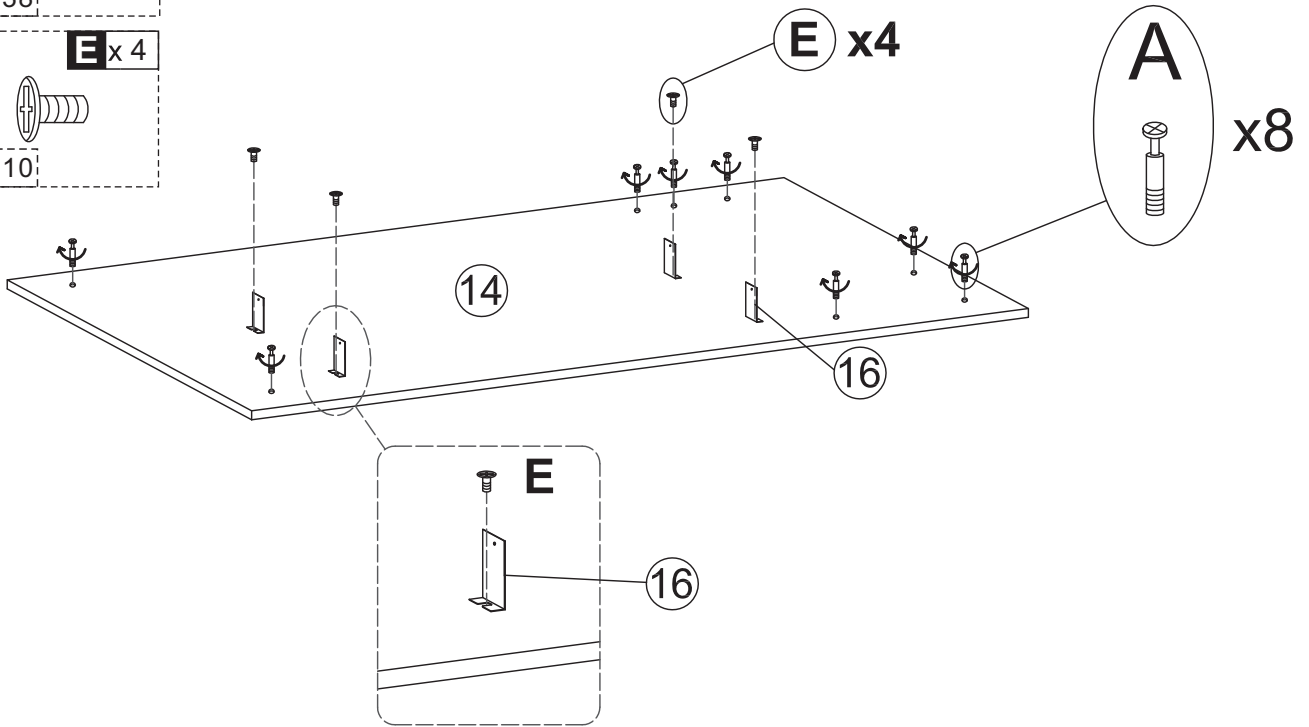


M6*38

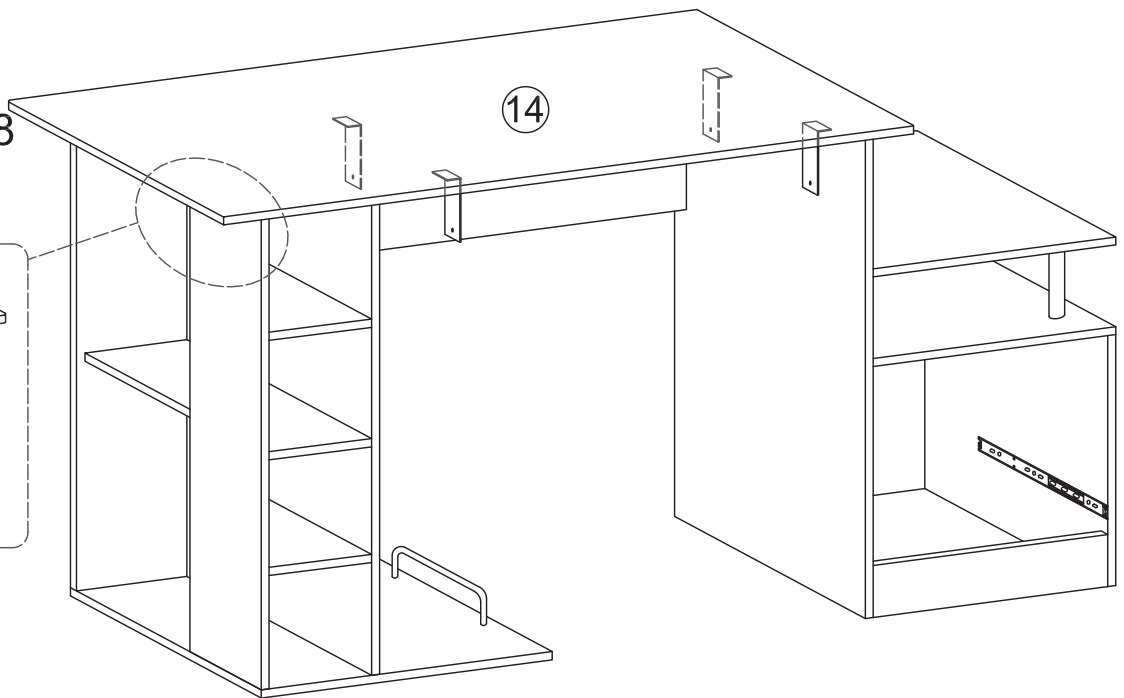
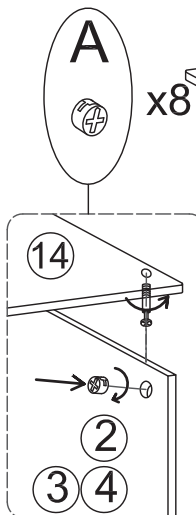
E x 4



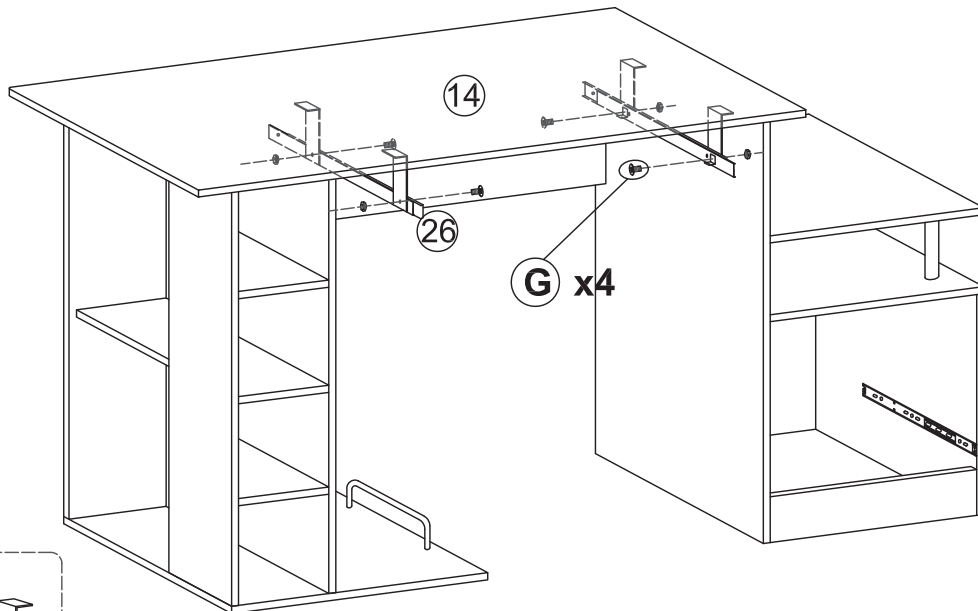
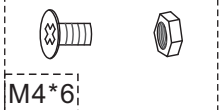
M6*10



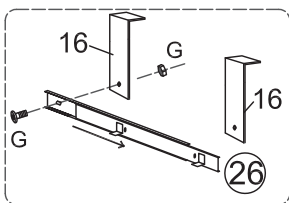
A x 8



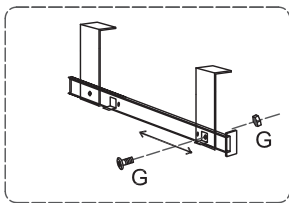
G x 4



Right



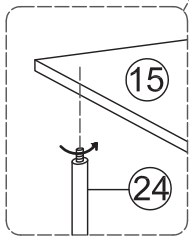
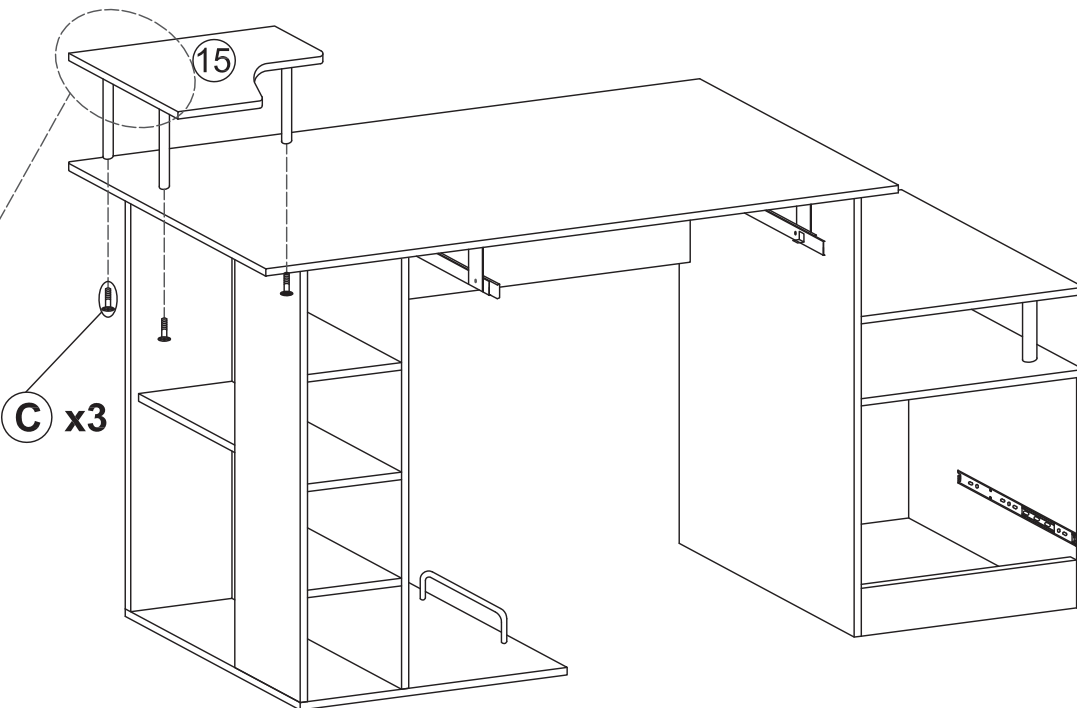
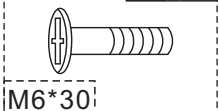
1. Slide open a part 26 slider and attach the back of the slider to part 16 with part G.



2. Align the front screw hole with the screw hole on part 16 ,then attach the front of the slider.

3.Repeat to attach left slider to the the other part 16 .

C x 3

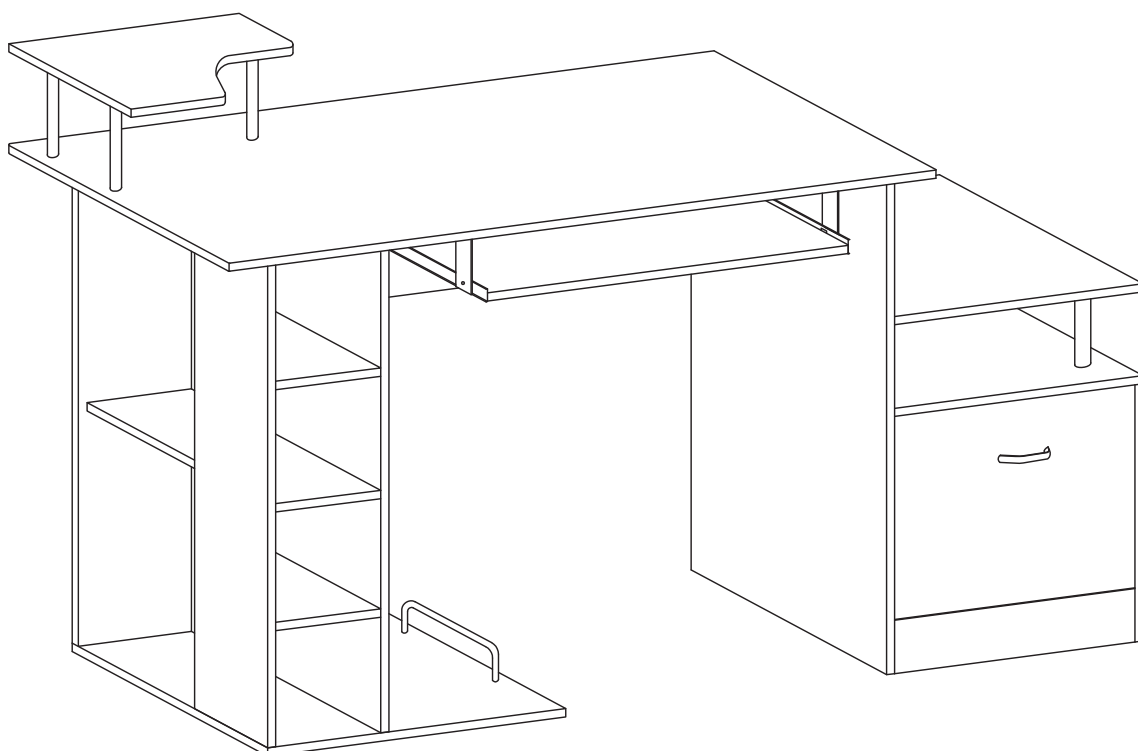
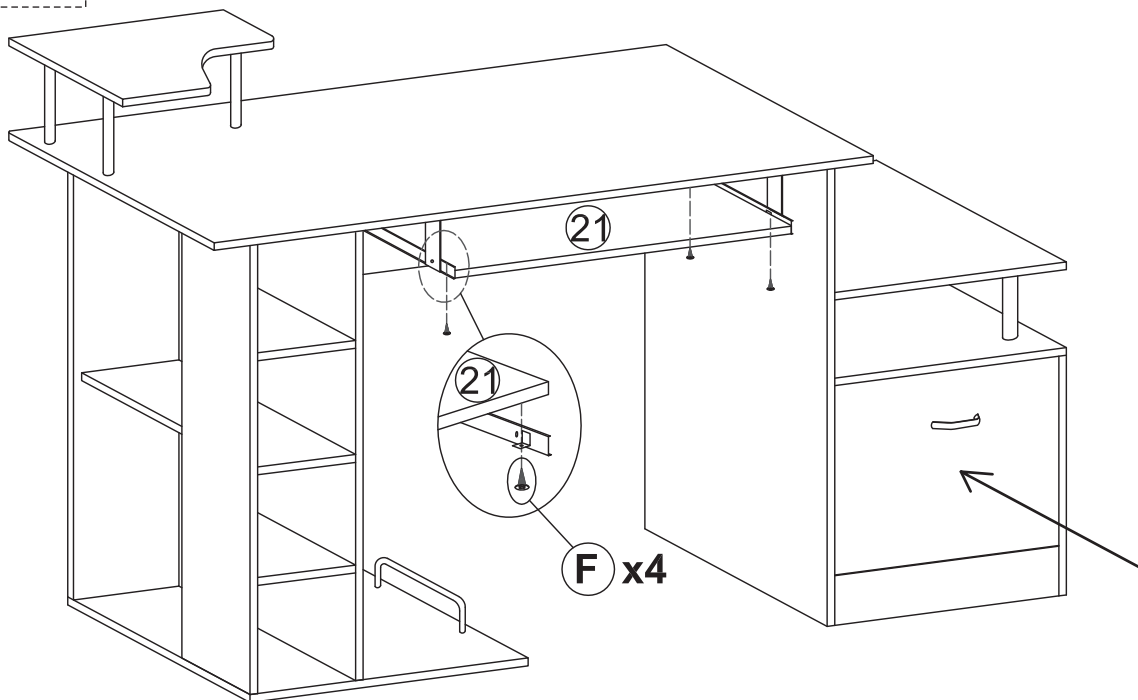


C x 3

F x 4



M4*14



US



001-877-644-9366
customerservice@aosom.com

CA



001-855-537-6088
customerservice@aosom.ca

UK



0044-800-240-4004
enquiries@mhstar.co.uk

DE



0049-(0)40-88307530
service@aosom.de

FR



0033-1-84166106
contact@aosom.fr

ES



0034-931294512
atencioncliente@aosom.es

IT



0039-0249471447
clienti@aosom.it