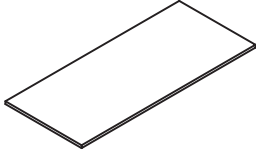
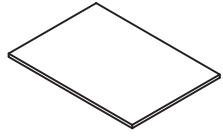
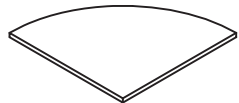
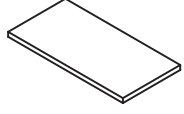
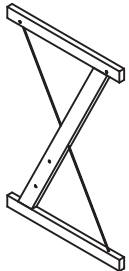


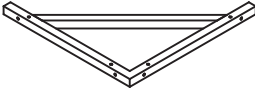
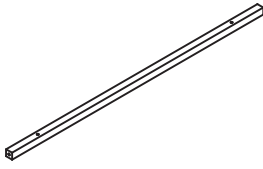
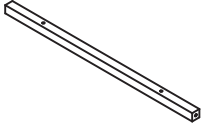
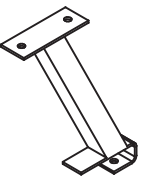
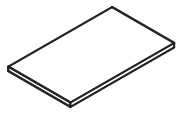





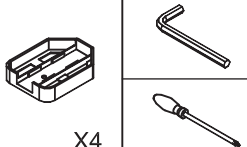
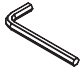

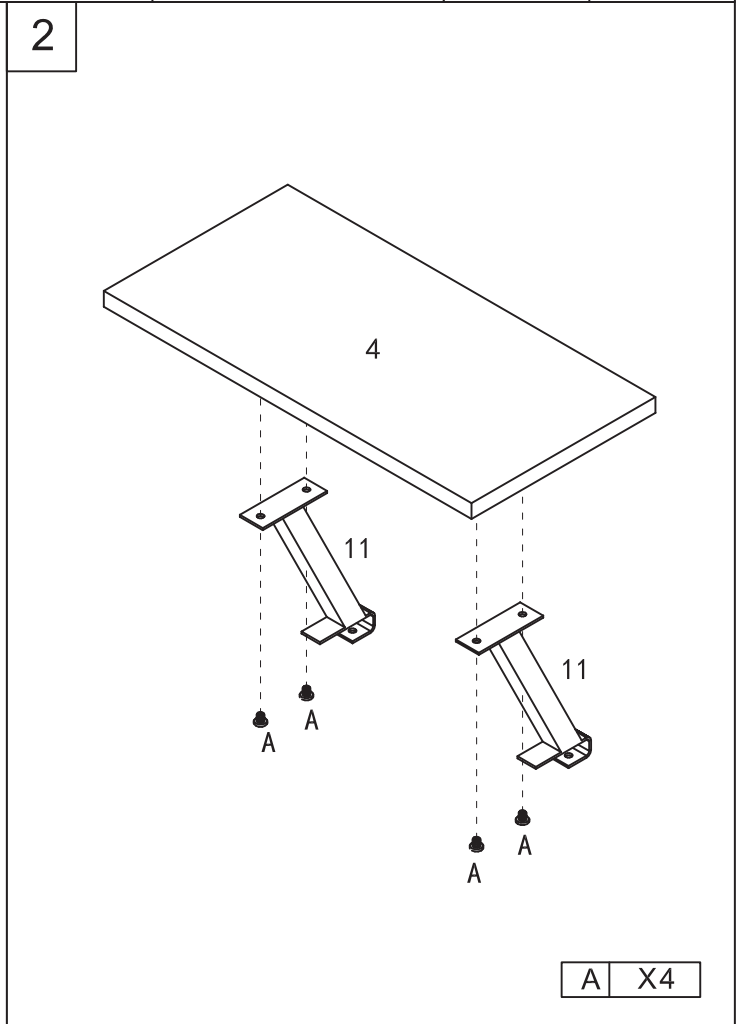
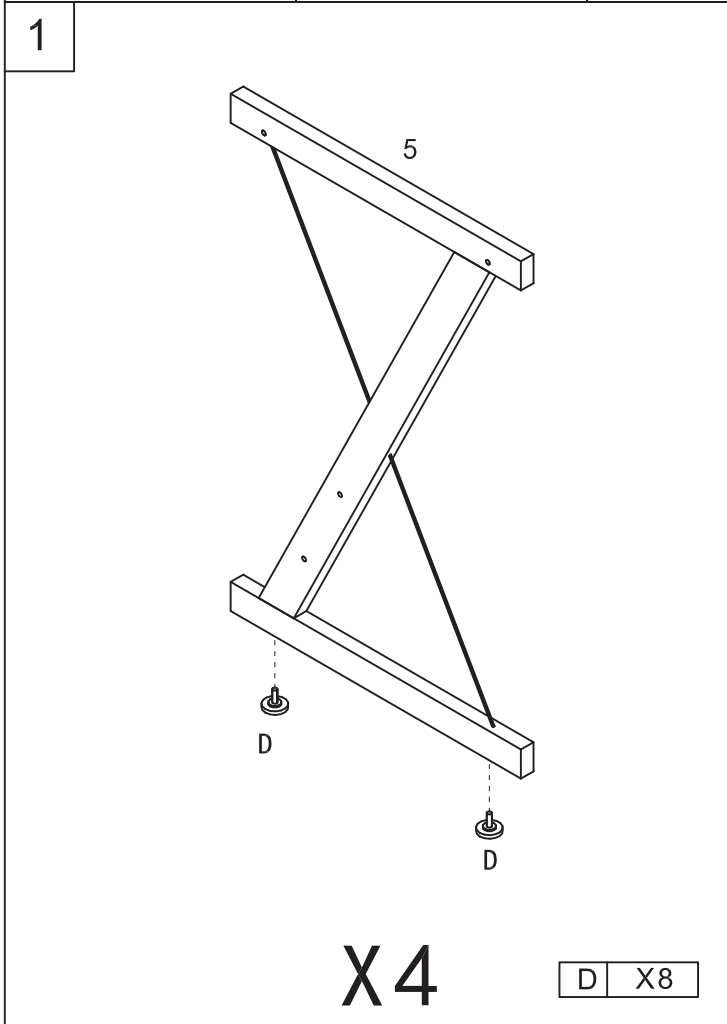


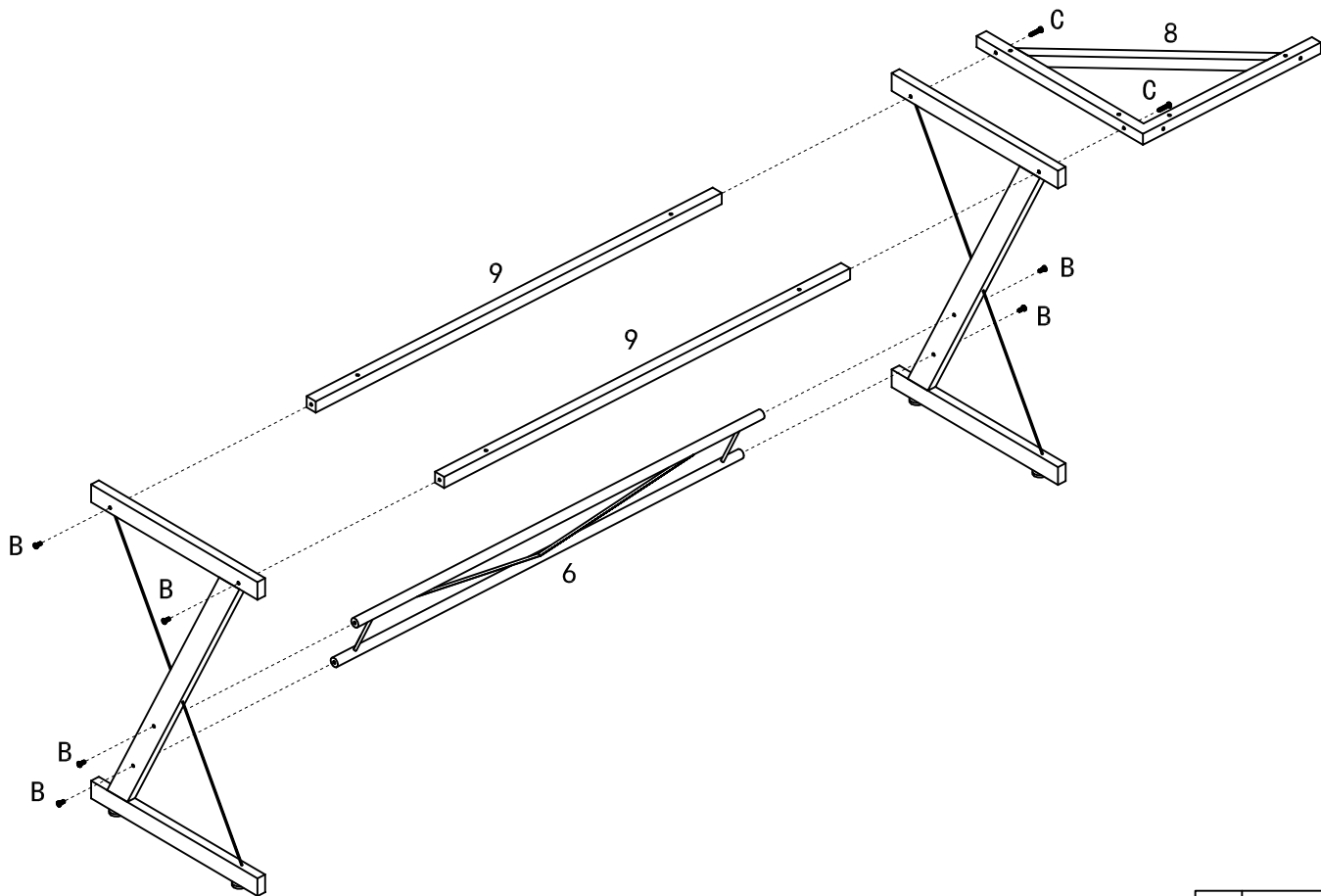
Assembling Instruction

Attention: Do not tighten the screws until all of them are in right positions

<p>1</p>  <p>X1</p>	<p>2</p>  <p>X1</p>	<p>3</p>  <p>X1</p>	<p>4</p>  <p>X1</p>	<p>5</p>  <p>X4</p>
<p>6</p>  <p>X1</p>	<p>7</p>  <p>X1</p>	<p>8</p>  <p>X1</p>	<p>9</p>  <p>X2</p>	<p>10</p>  <p>X2</p>
<p>11</p>  <p>X2</p>	<p>12</p>  <p>X1</p>	<p>A</p>  <p>M6X10 X4</p>	<p>C</p>  <p>M6X60 X4</p>	<p>D</p>  <p>M6 X10</p>
		<p>B</p>  <p>M6X35 X24</p>	<p>E</p>  <p>M4X12 X4</p>	<p>F</p>  <p>X4</p>  

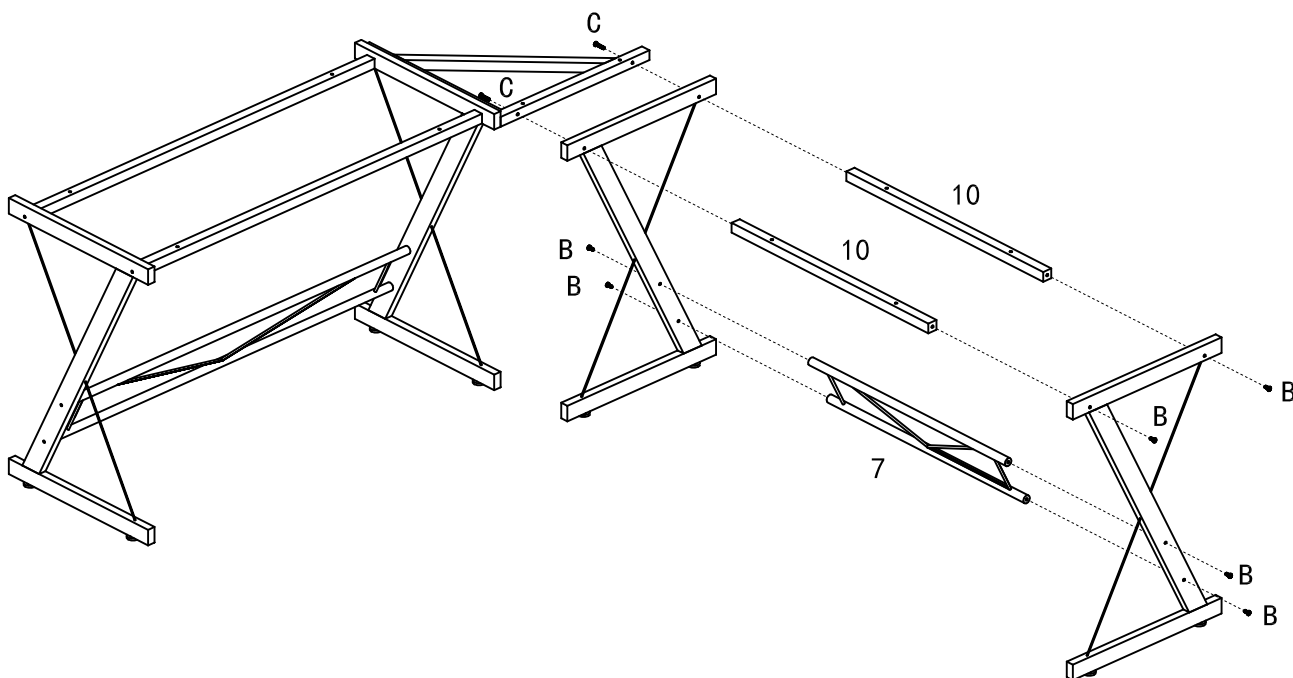


3



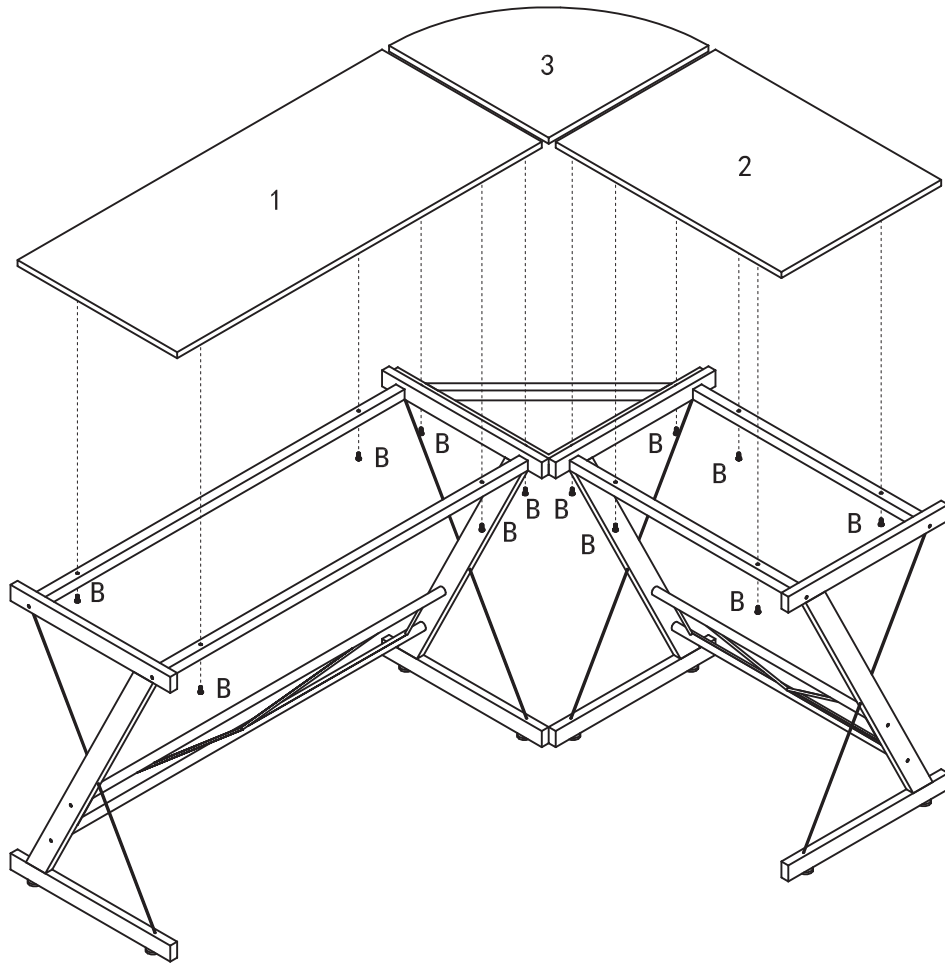
B	X6
C	X2

4



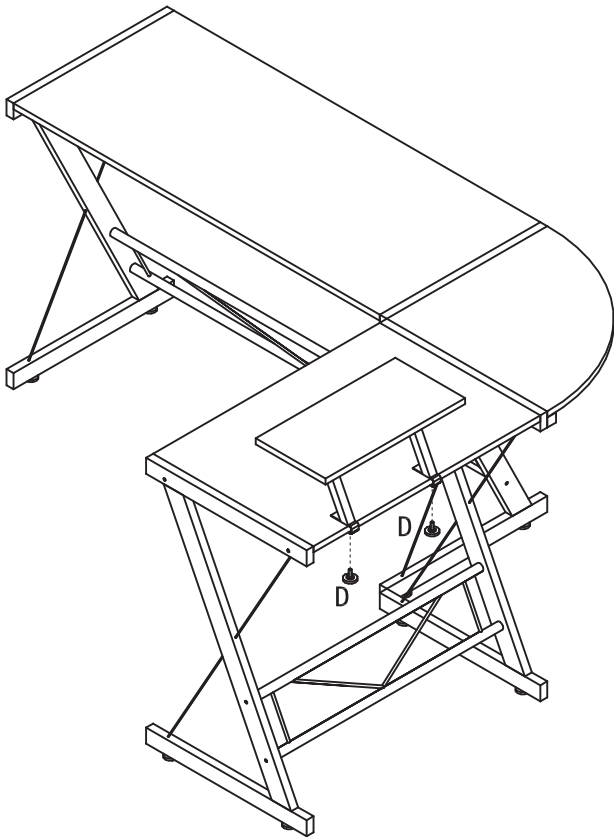
B	X6
C	X2

5



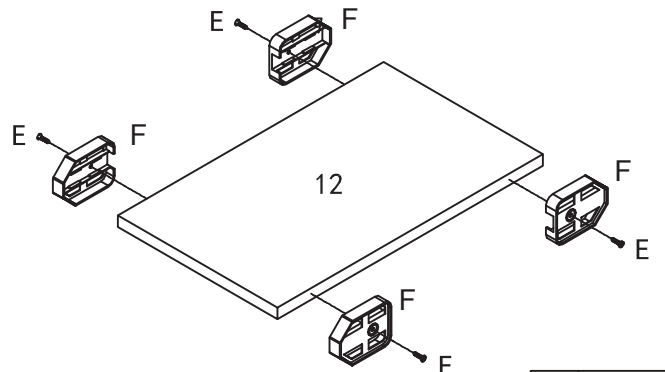
B X12

6



D X2

7



E X12

