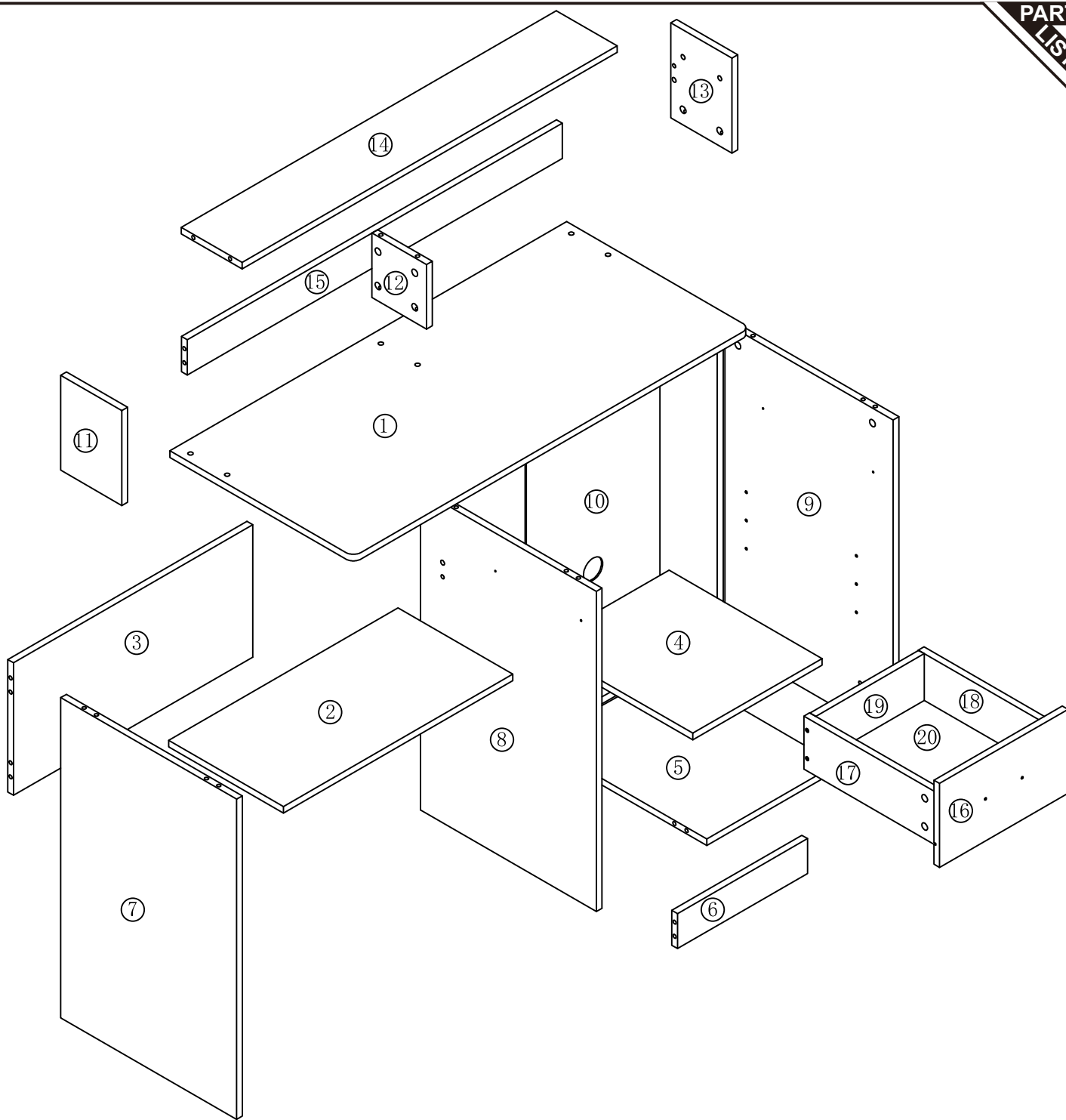
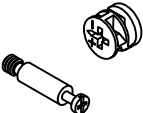

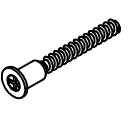

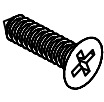
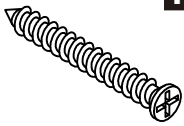

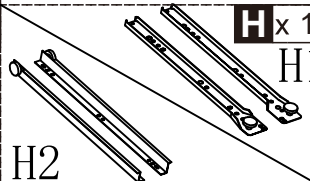
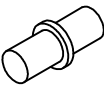
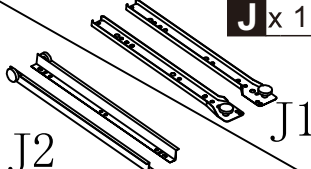

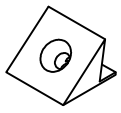


READ AND SAVE THIS INSTRUCTION FOR FUTURE USE

**ASSEMBLY INSTRUCTION**



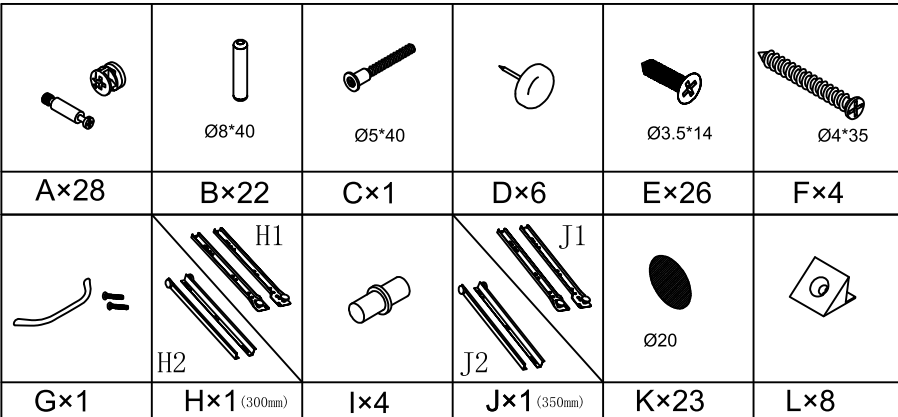
 <p><b>A</b> x28</p>	 <p><b>B</b> x22</p>	 <p><b>C</b> x 1</p>	 <p><b>D</b> x 6</p>
 <p><b>E</b> x26</p>	 <p><b>F</b> x 4</p>	 <p><b>G</b> x 1</p>	 <p><b>H</b> x 1 H1 H2</p>
 <p><b>I</b> x 4</p>	 <p><b>J</b> x 1 J1 J2</p>	 <p><b>K</b> x23</p>	 <p><b>L</b> x 8</p>

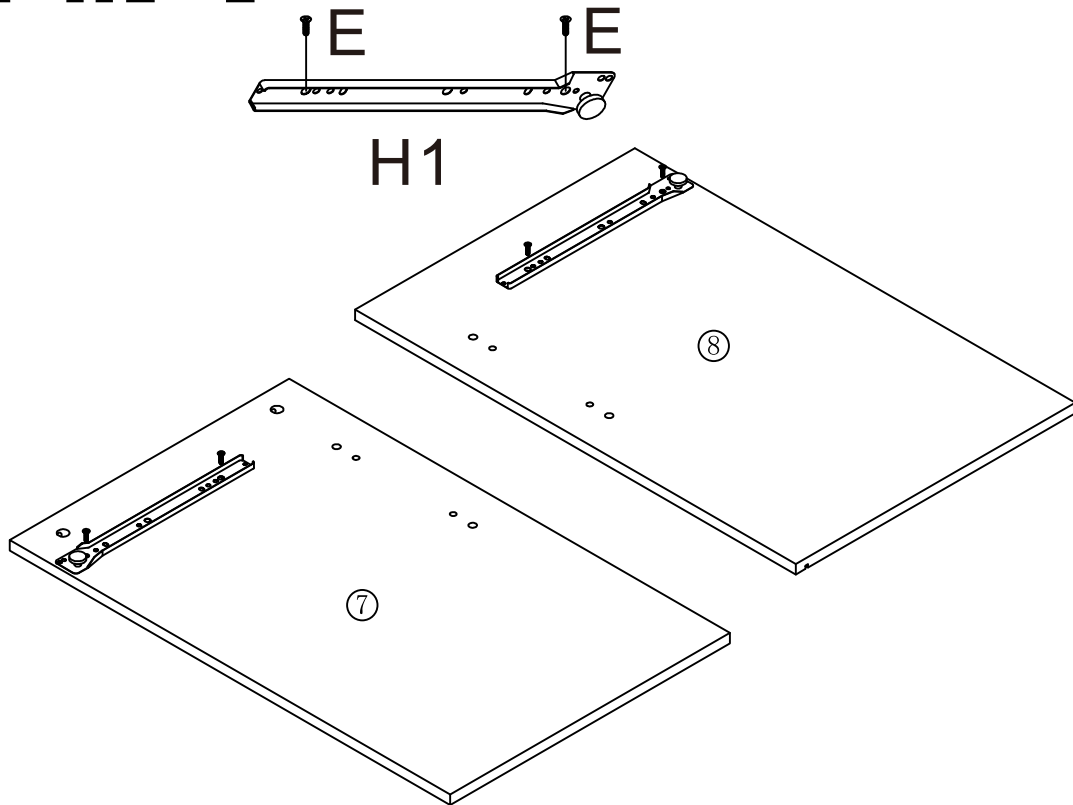
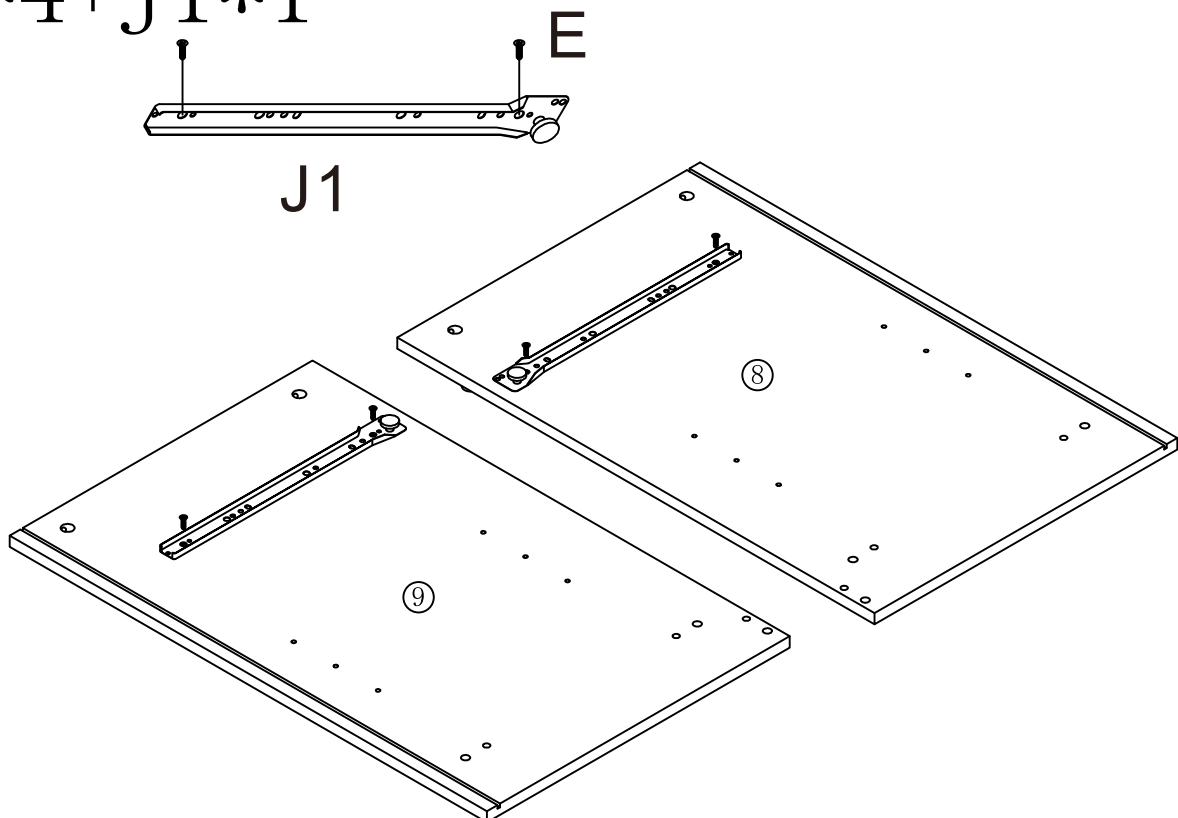
# PACKING DETAILS: TOTAL 2 BOXES

## BOX 1/2

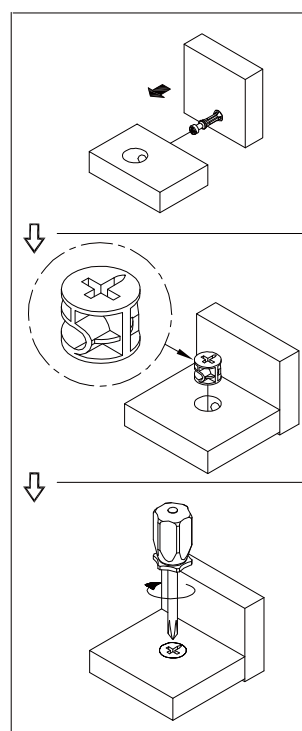
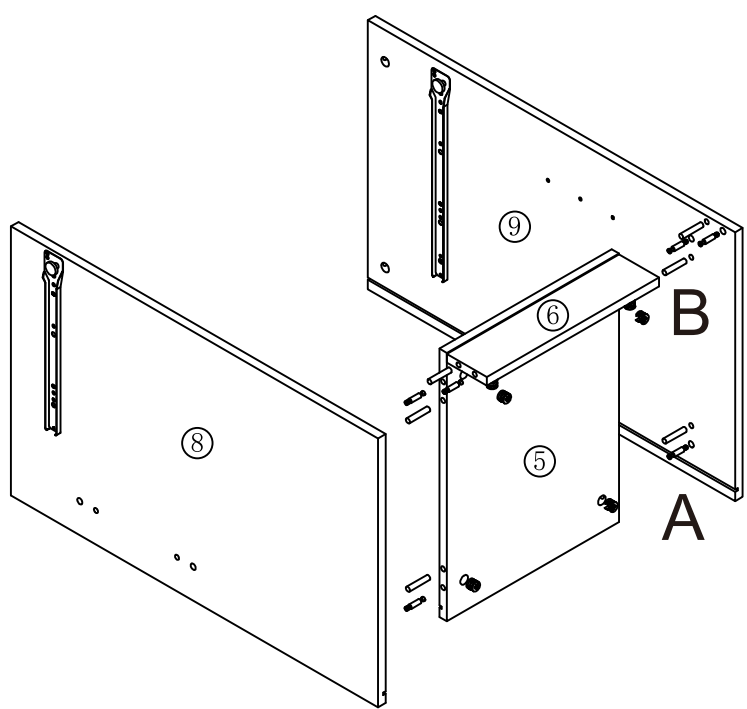
PART NO.	QTY	PART NO.	QTY
①	X1	⑱	X1
④	X1	⑳	X1
⑤	X1		
⑩	X1		
⑪	X1		
⑫	X1		
⑬	X1		
⑭	X1		
⑮	X1		
⑯	X1		
⑰	X1		

## BOX 2/2

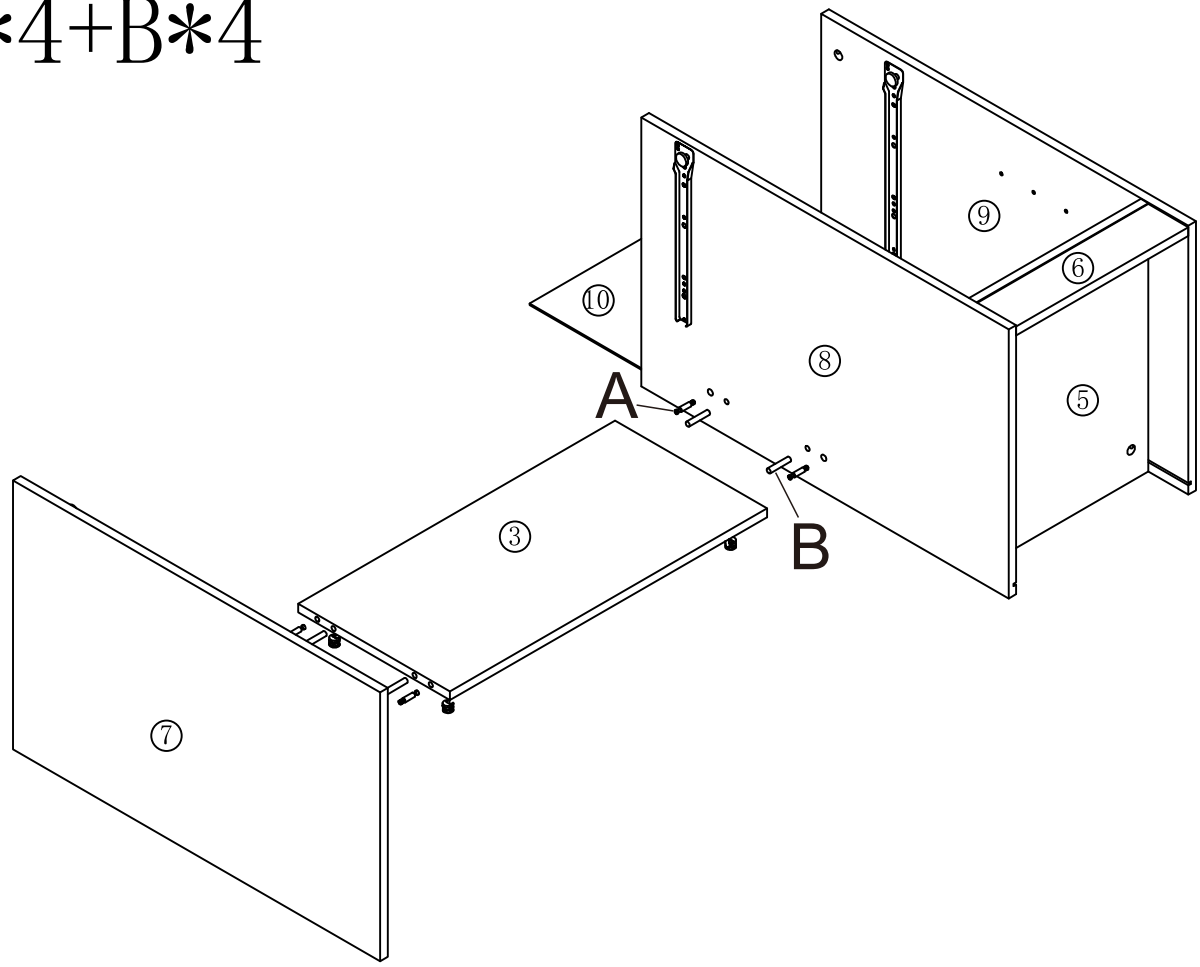
PART NO.	QTY						
②	X1	A×28	B×22	C×1	D×6	E×26	F×4
③	X1						
⑥	X1						
⑦	X1						
⑧	X1						
⑨	X1						
⑰	X1						

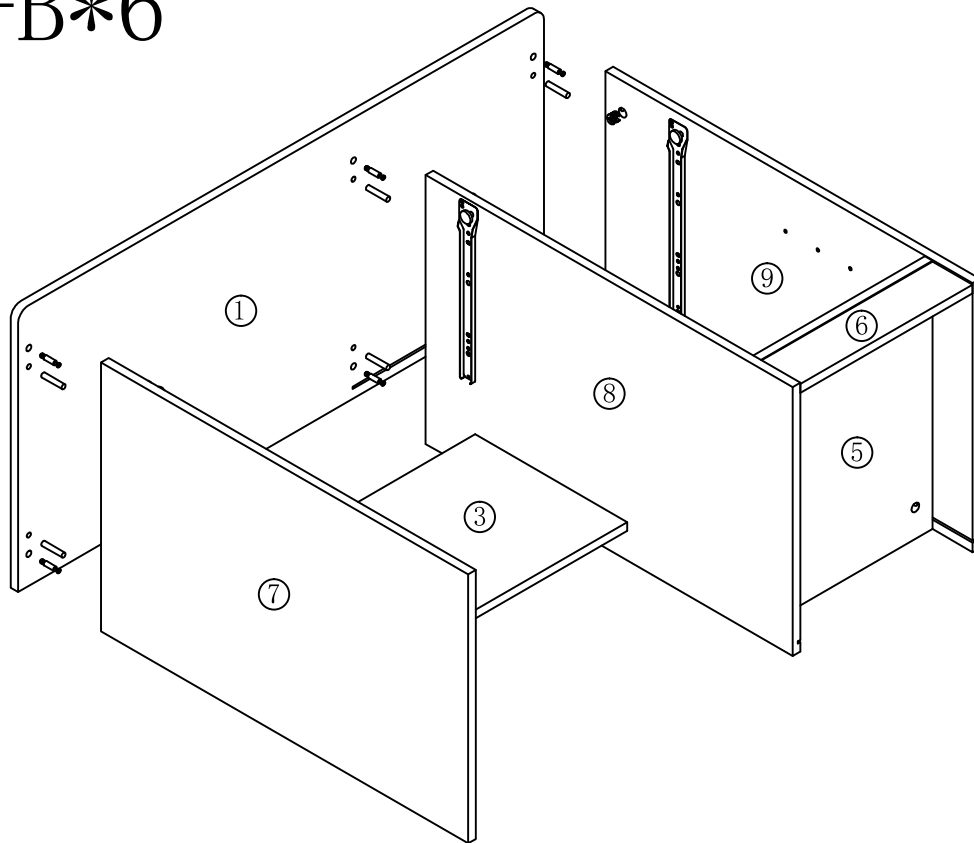
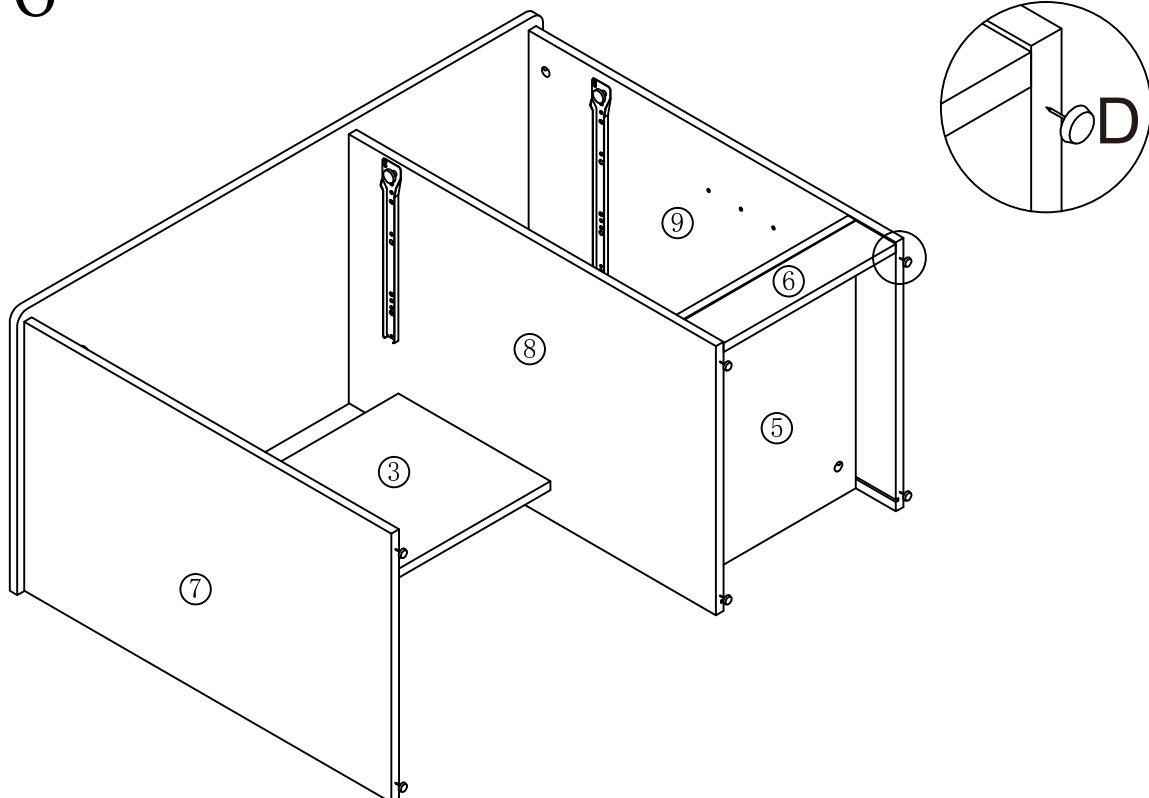
$E*4+H1*1$  $E*4+J1*1$ 

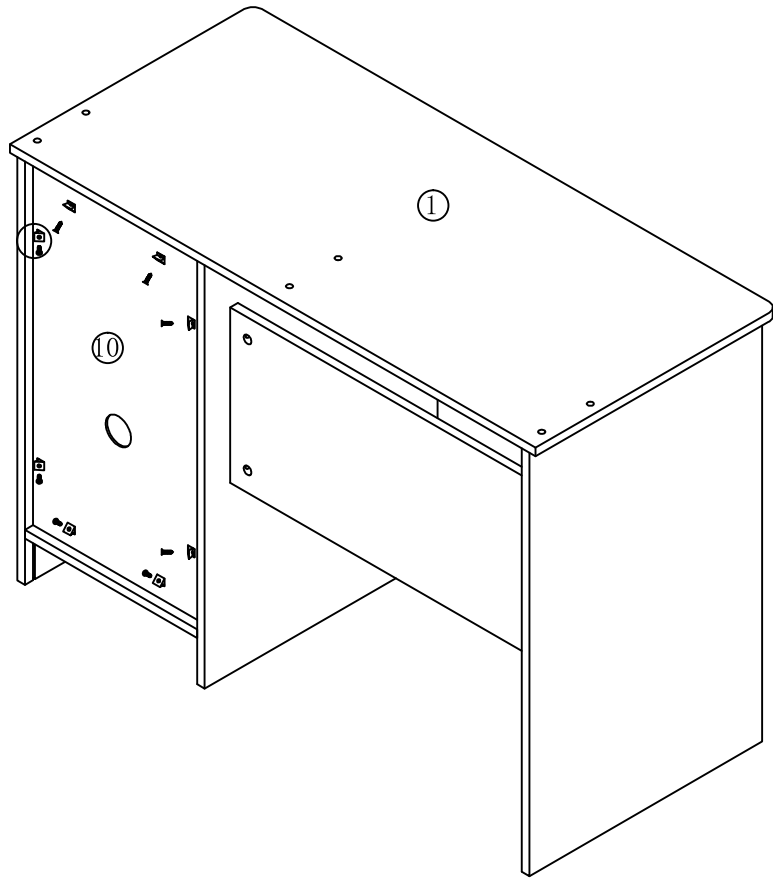
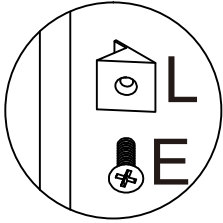
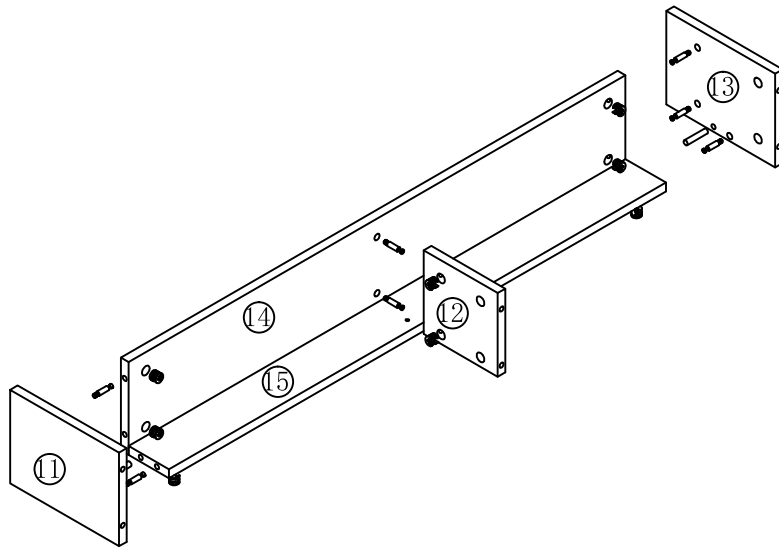
$A*6+B*6$



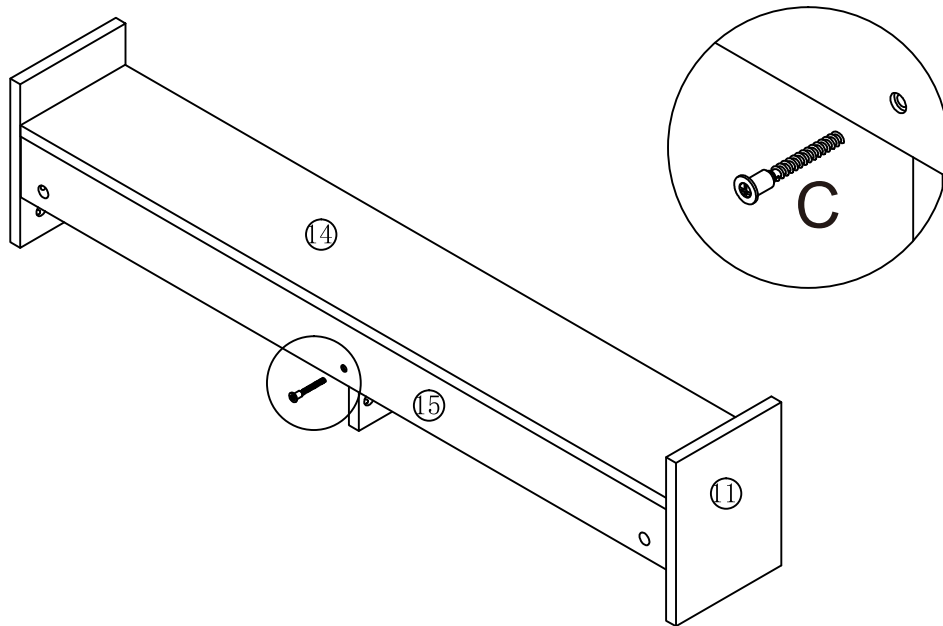
$A*4+B*4$



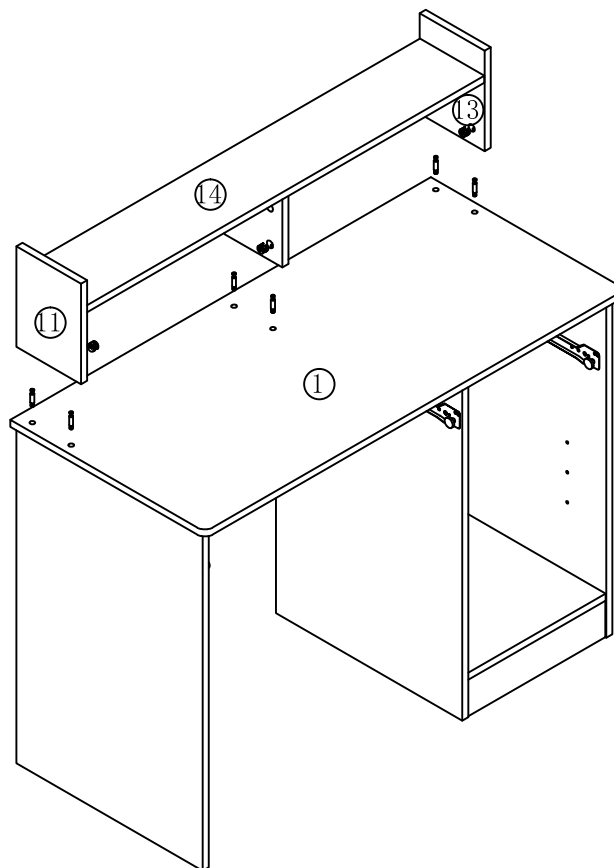
$A*6+B*6$  $D*6$ 

$E*8+L*8$  $A*10$ 

C\*1

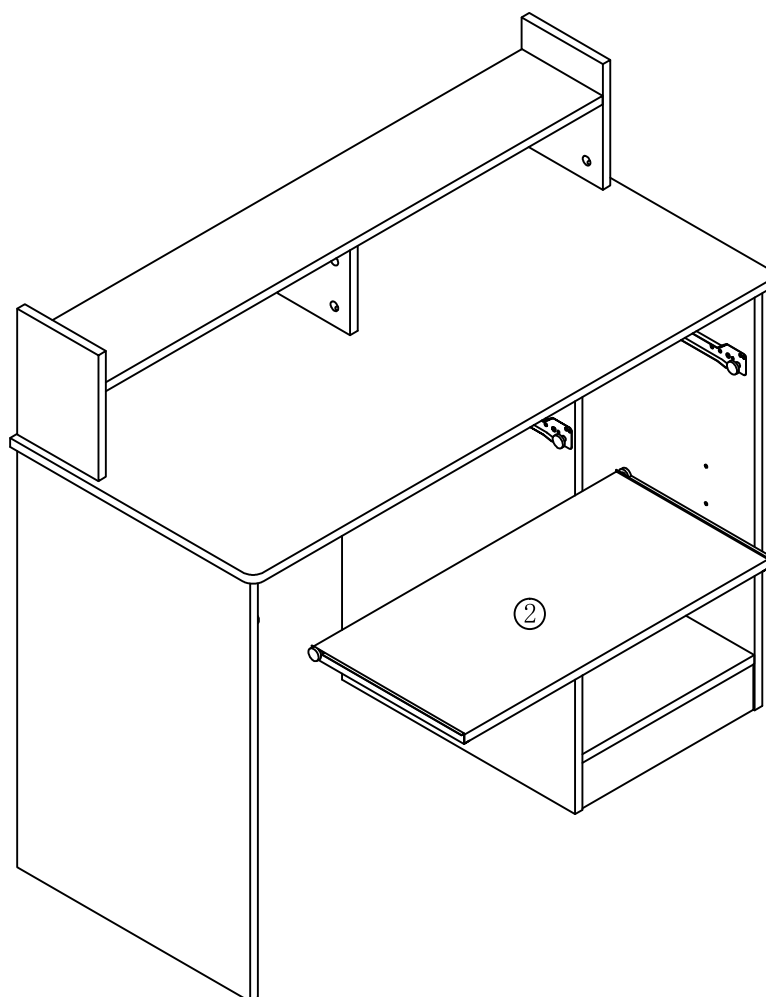
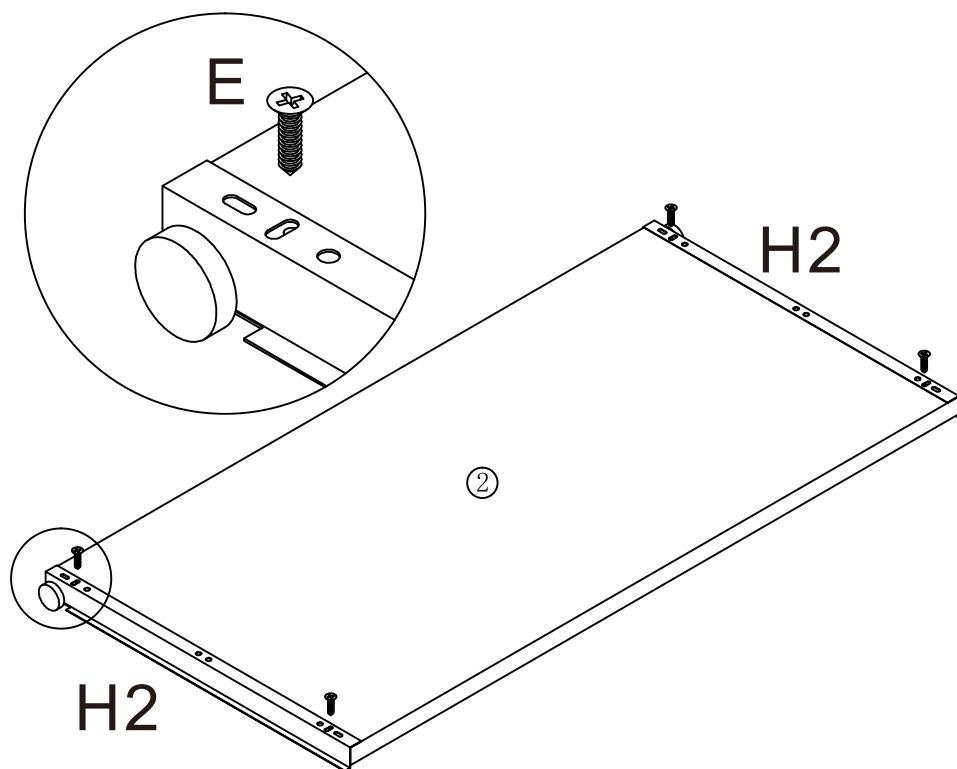


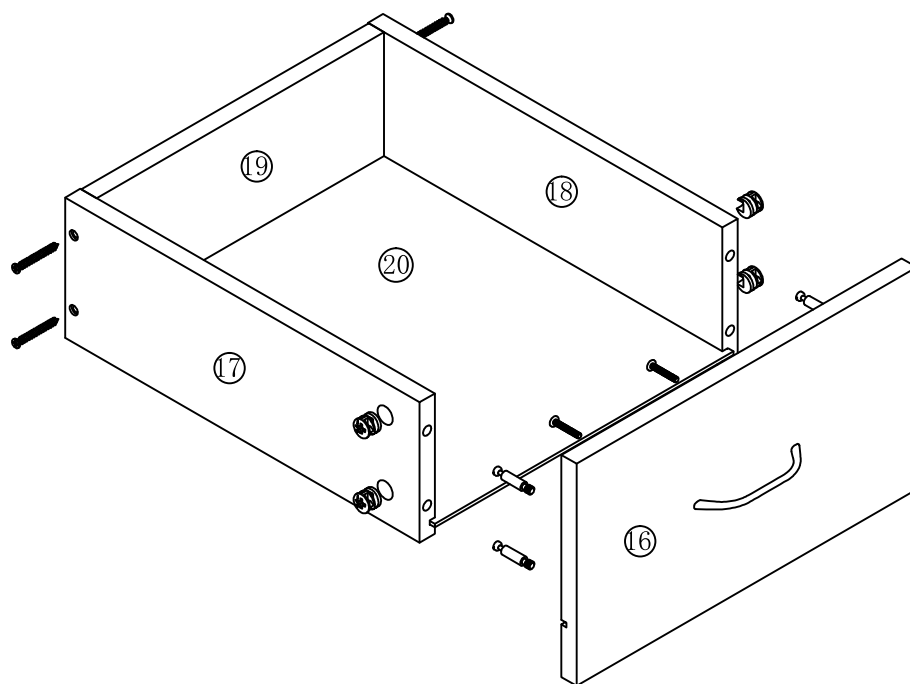
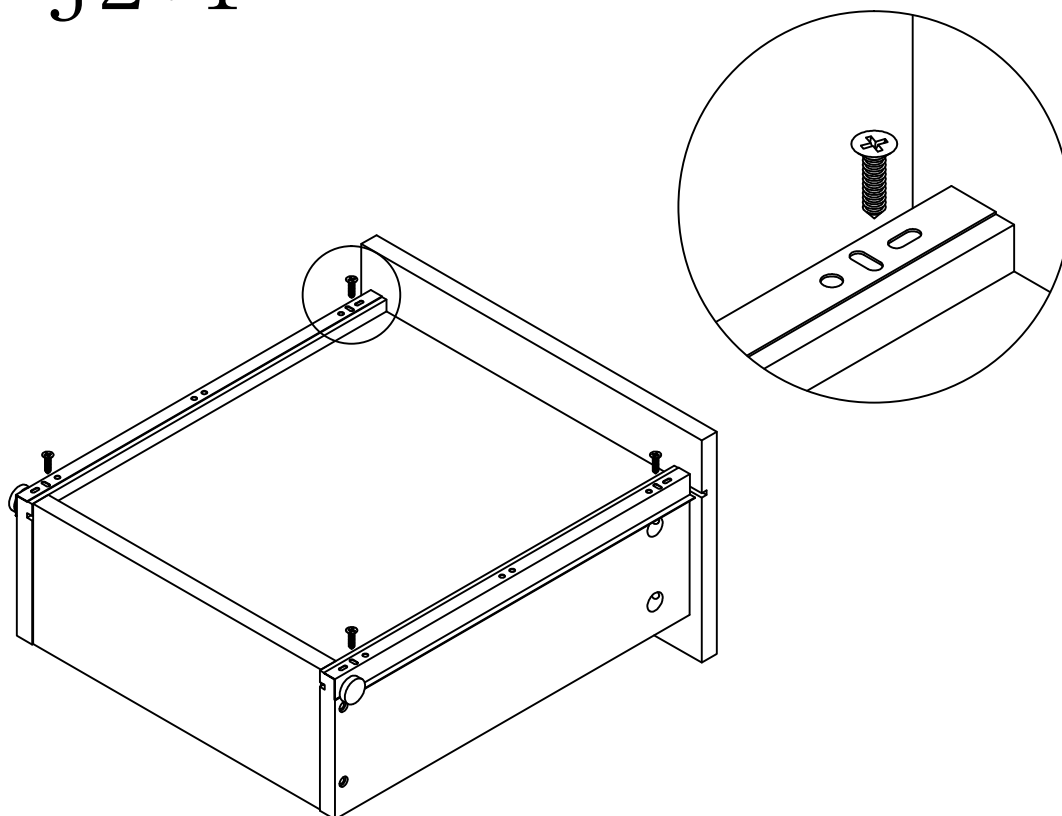
A\*6



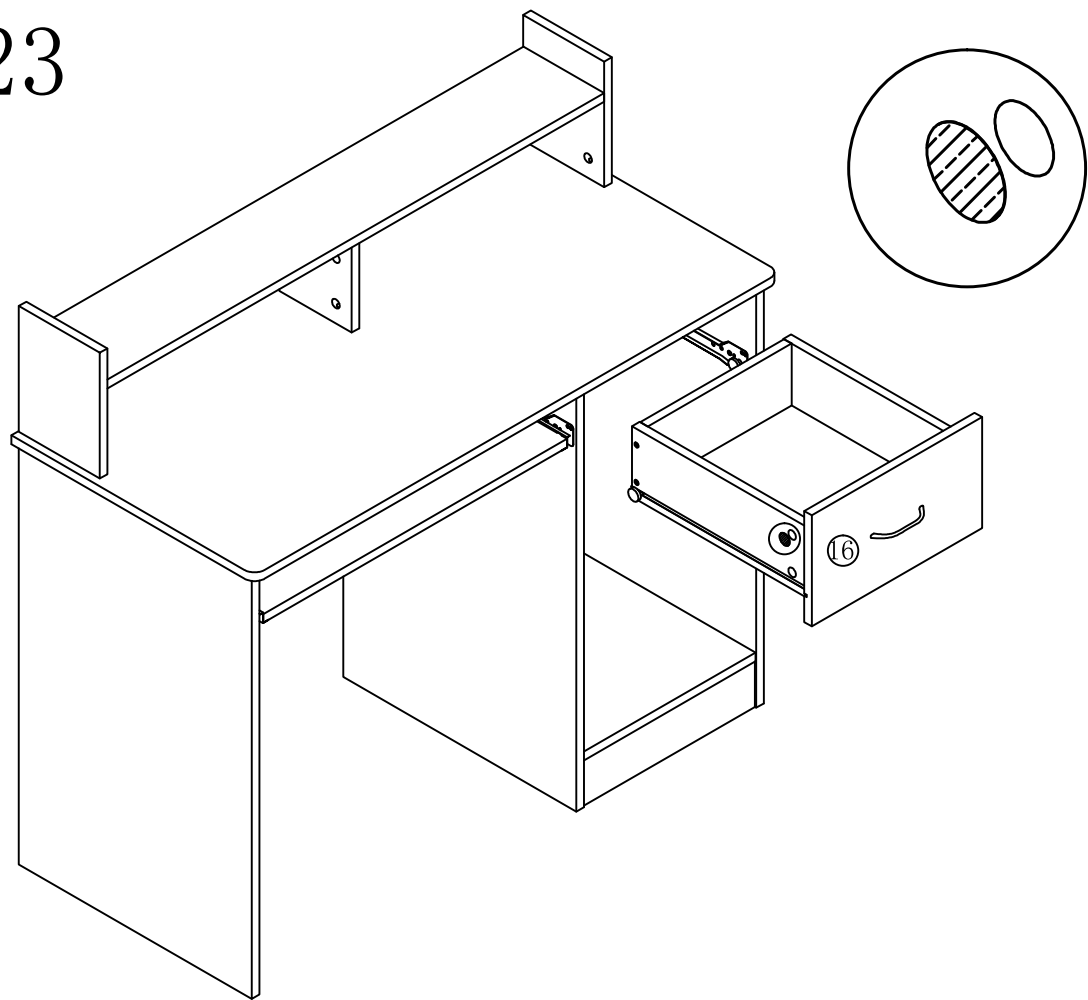


E\*4+H2\*1

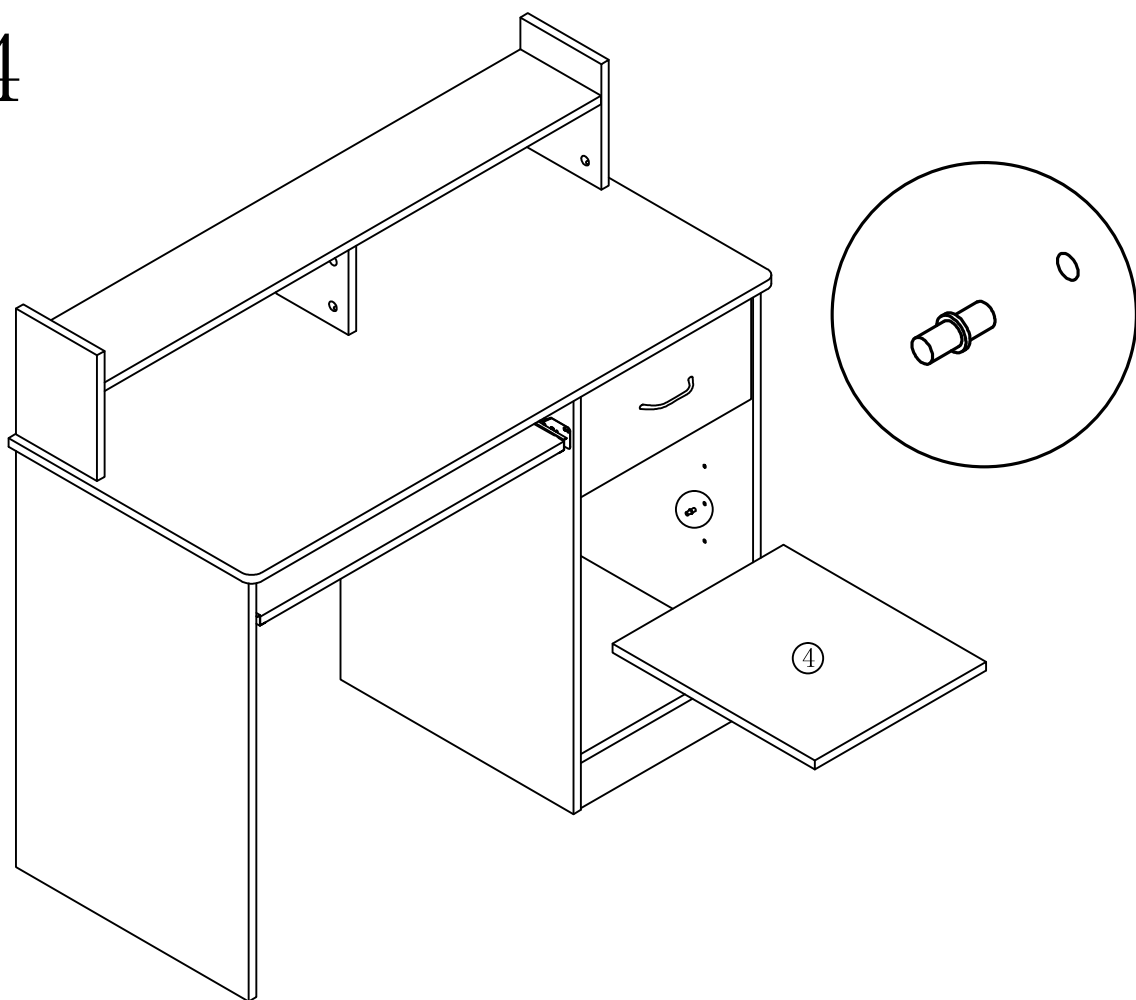


$A*4+F*4+G*1$  $E*4+J2*1$ 

K\*23



I\*4



US



001-877-644-9366  
customerservice@aosom.com

CA



001-855-537-6088  
customerservice@aosom.ca

UK



0044-800-240-4004  
enquiries@mhstar.co.uk

DE



0049-(0)40-88307530  
service@aosom.de

FR



0033-1-84166106  
contact@aosom.fr

ES



0034-931294512  
atencioncliente@aosom.es

IT



0039-0249471447  
clienti@aosom.it