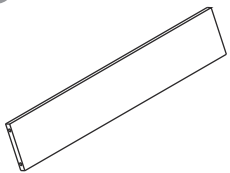
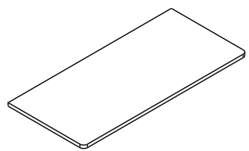

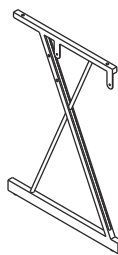
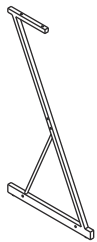
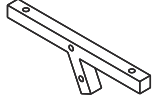
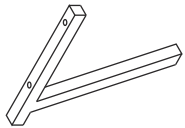
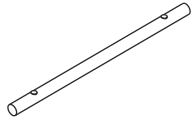
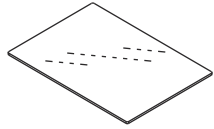
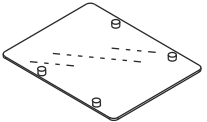
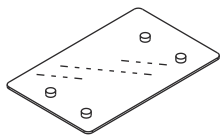
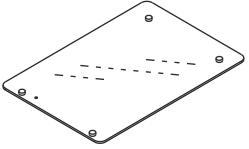
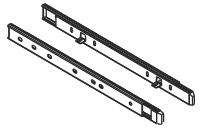















READ AND SAVE THIS INSTRUCTION FOR FUTURE USE

# ASSEMBLY INSTRUCTION

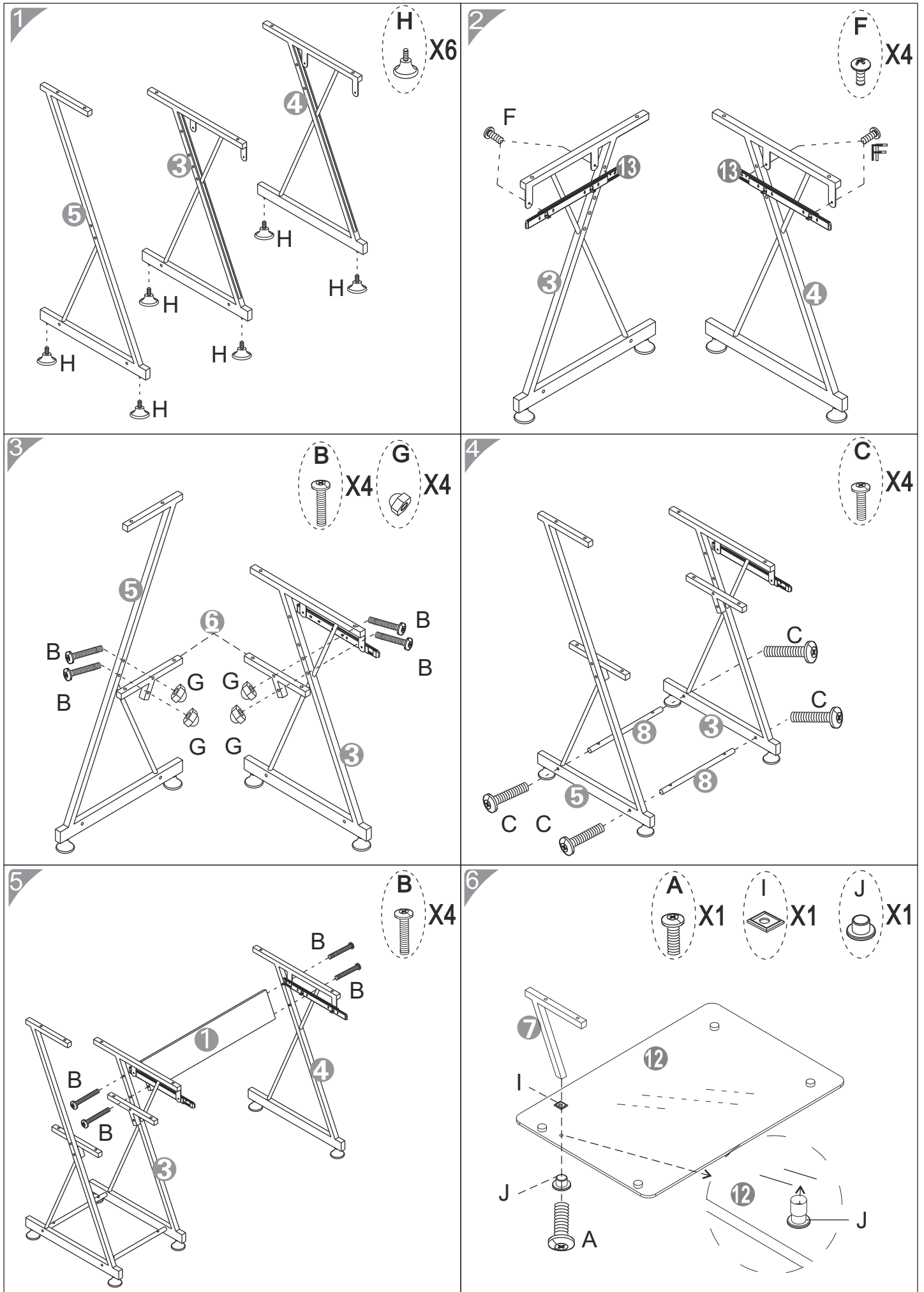
# Part List

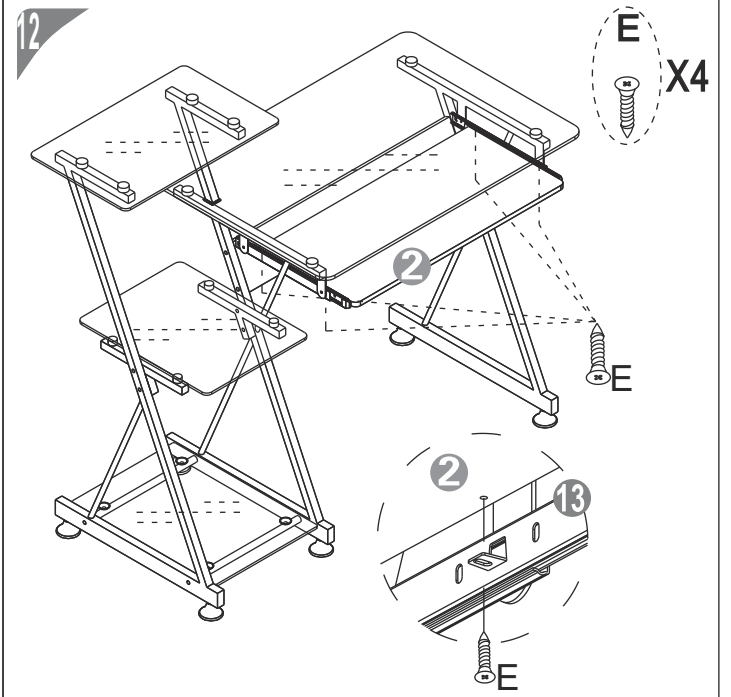
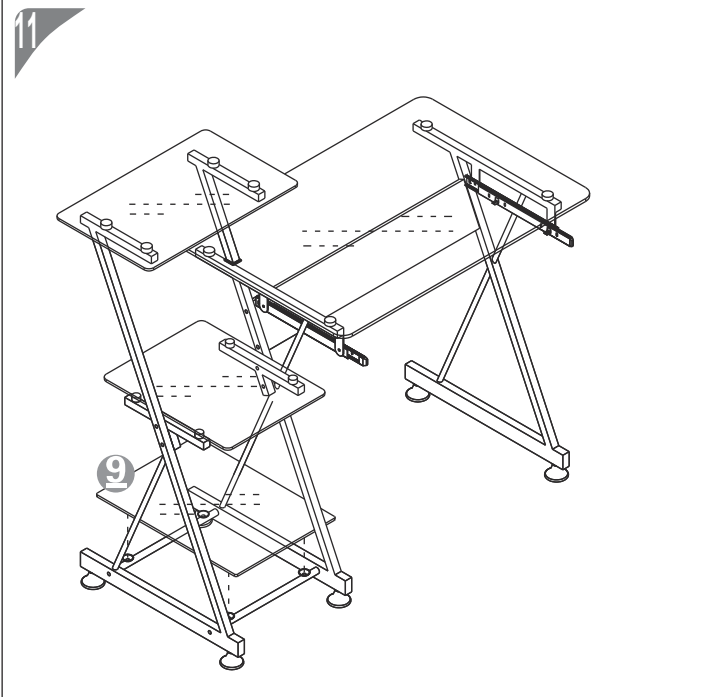
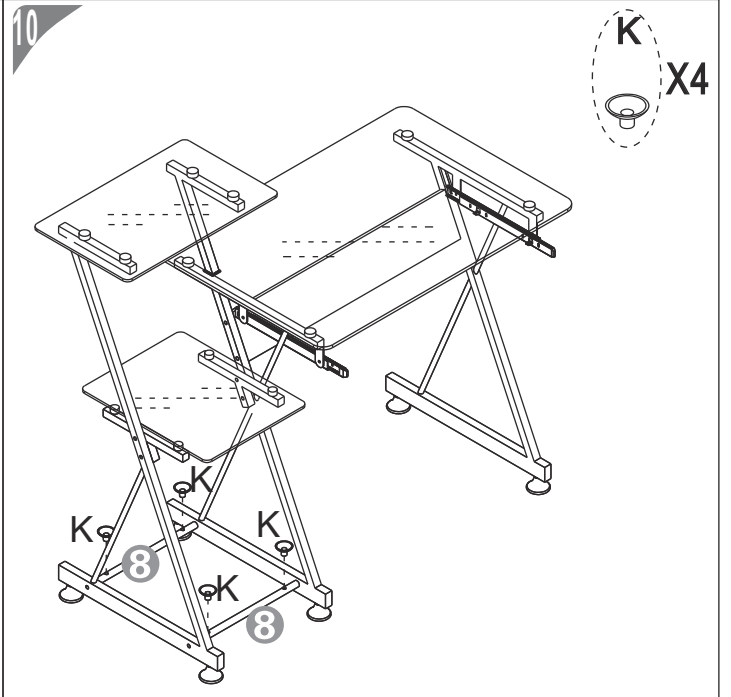
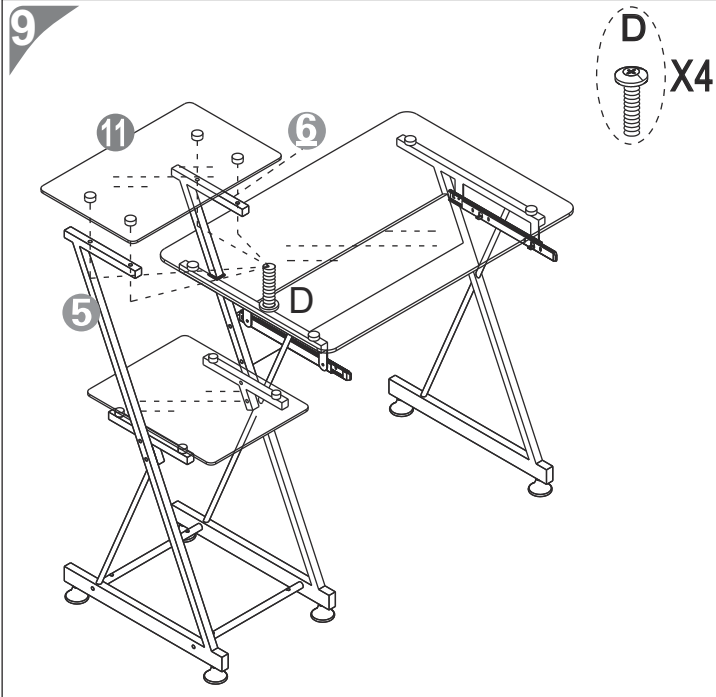
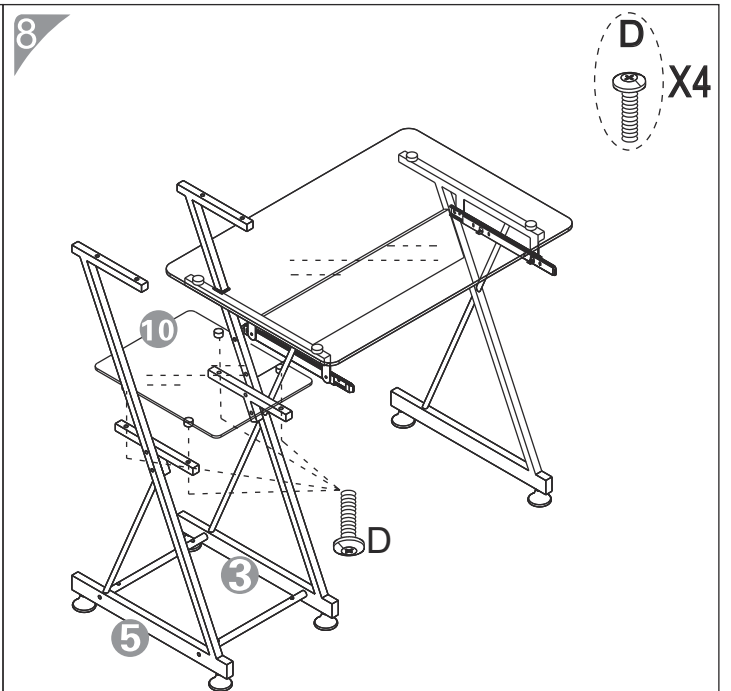
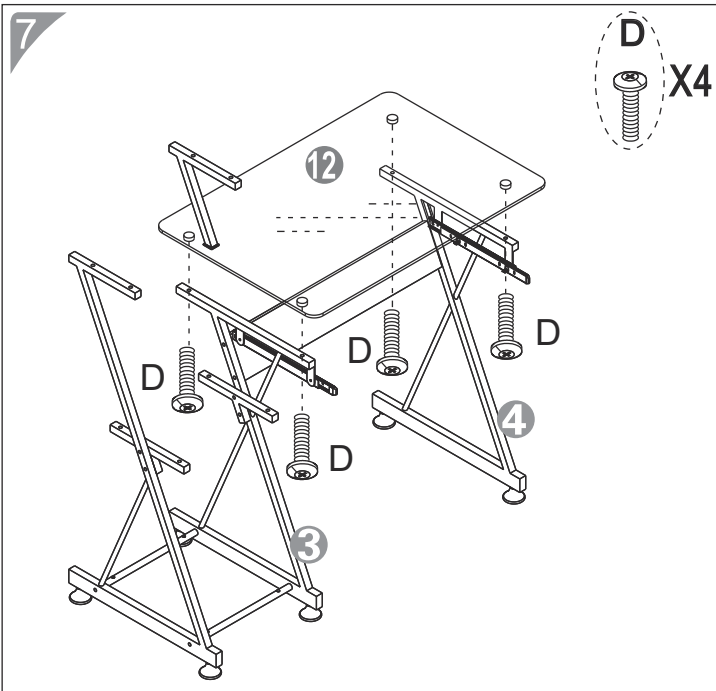
 <b>1</b> X1	 <b>2</b> X1	 <b>3</b> X1	 <b>4</b> X1	 <b>5</b> X1
 <b>6</b> X2	 <b>7</b> X1	 <b>8</b> X2	 <b>9</b> X1	 <b>10</b> X1
 <b>11</b> X1	 <b>12</b> X1	 <b>13</b> 12"AE3 1set		

PART NO.	QTY.	PARTS	
A	1	M8x20mm	
B	8	M6x45mm	
C	4	M6x30mm	
D	12	M6x25mm	
E	4	3.5x12mm	
F	4	M4x5mm	
G	4	M6	

PART NO.	QTY.	PARTS	
H	6	M8x18xH20	
I	1	29x26x4mm	
J	1	φ2.8xφ9.8xφ16	
K	4	φ35	
L	1	10~14	
M	1	φ5x54mm	

# Assembly Instructions





US



001-877-644-9366  
customerservice@aosom.com

CA



001-855-537-6088  
customerservice@aosom.ca

UK



0044-800-240-4004  
enquiries@mhstar.co.uk

DE



0049-(0)40-88307530  
service@aosom.de

FR



0033-1-84166106  
contact@aosom.fr

ES



0034-931294512  
atencioncliente@aosom.es

IT



0039-0249471447  
clienti@aosom.it