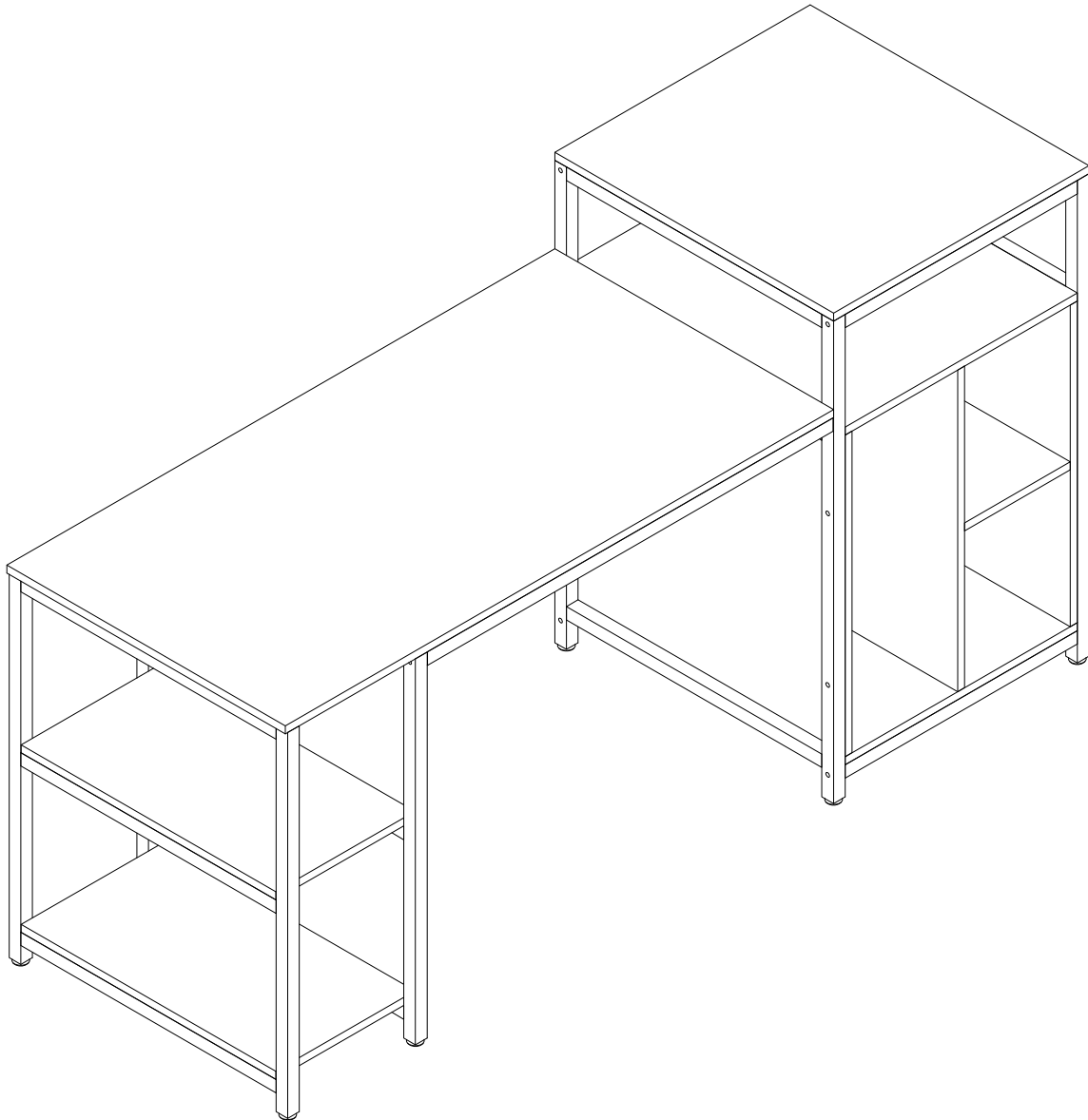


Ncfa075\_GL

836-201BK/836-201WT

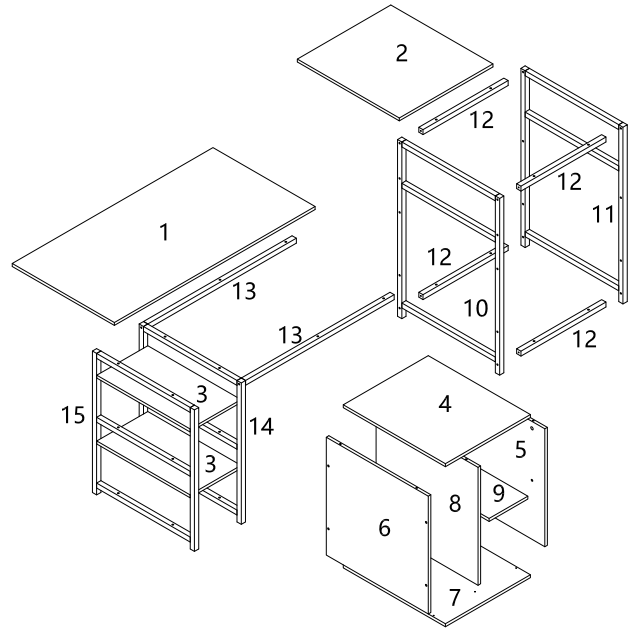
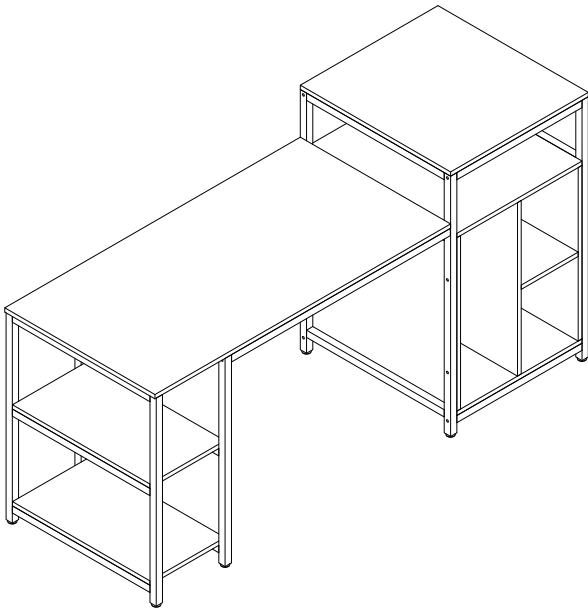


Please read these instructions and warranty information carefully before use and keep them properly for future reference.

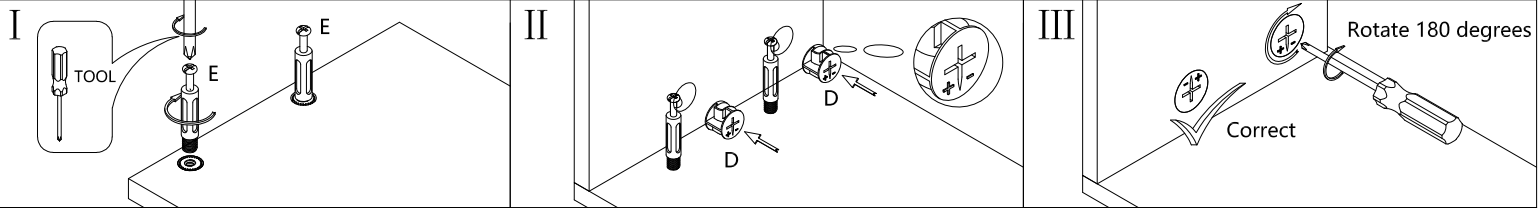
# ASSEMBLY INSTRUCTION

The installation is complete

Decomposition of components



Disassembly and installation of accessories



Please check the board number and number

1  1 pc	2  1 pc	3  2 pcs	4  1 pc	5  1 pc
6  1 pc	7  1 pc	8  1 pc	9  1 pc	10  1 pc
11  1 pc	12  4 pcs	13  2 pcs	14  1 pc	15  1 pc

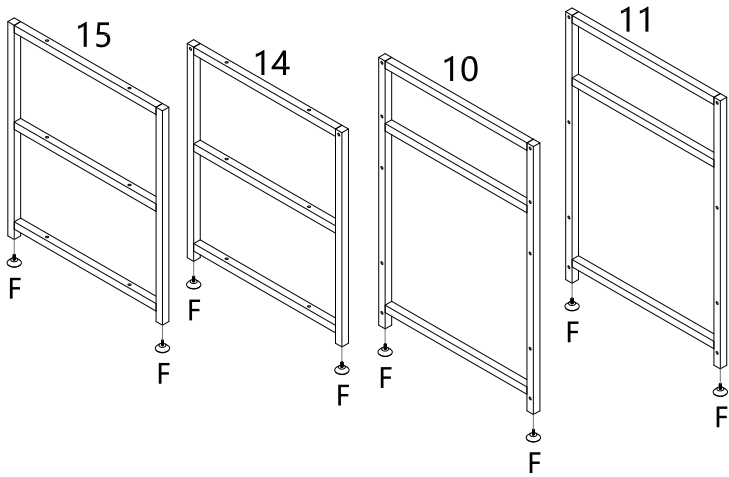
Please check the number and quantity


A  M6*40 12 pcs	B  M6*35 32 pcs	C  M5*40 6 pcs	D  10 pcs	E  10 pcs
F  8 pcs	G	H	I	J

# ASSEMBLY INSTRUCTION

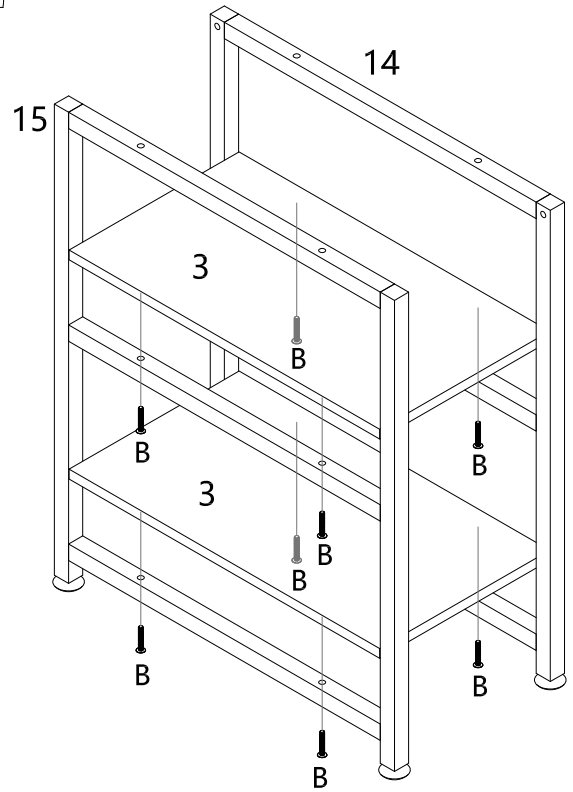
Start assembling furniture


STEP 1



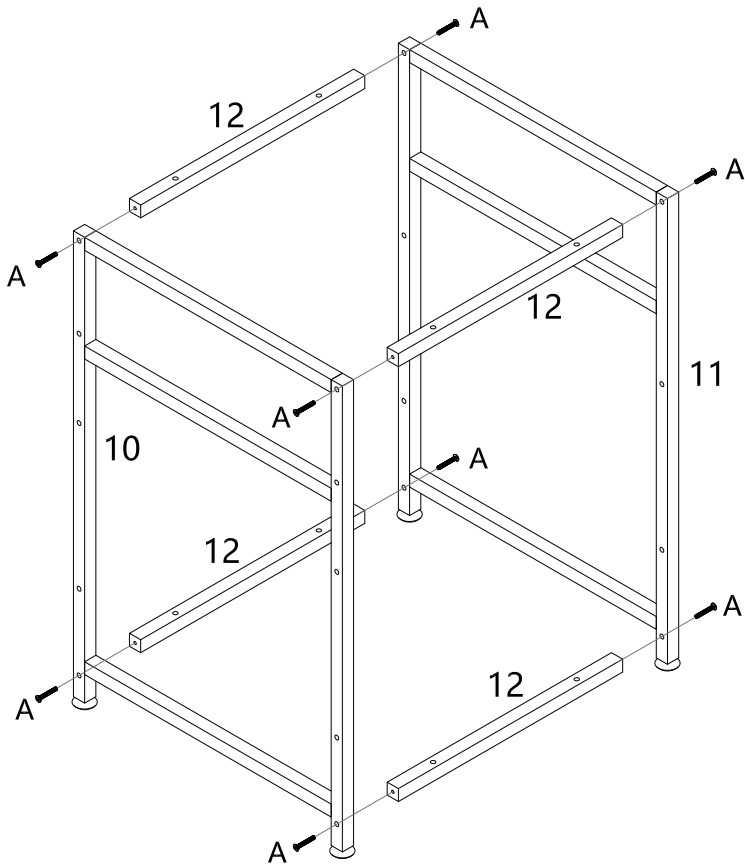
 F x 8 Pcs


STEP 2



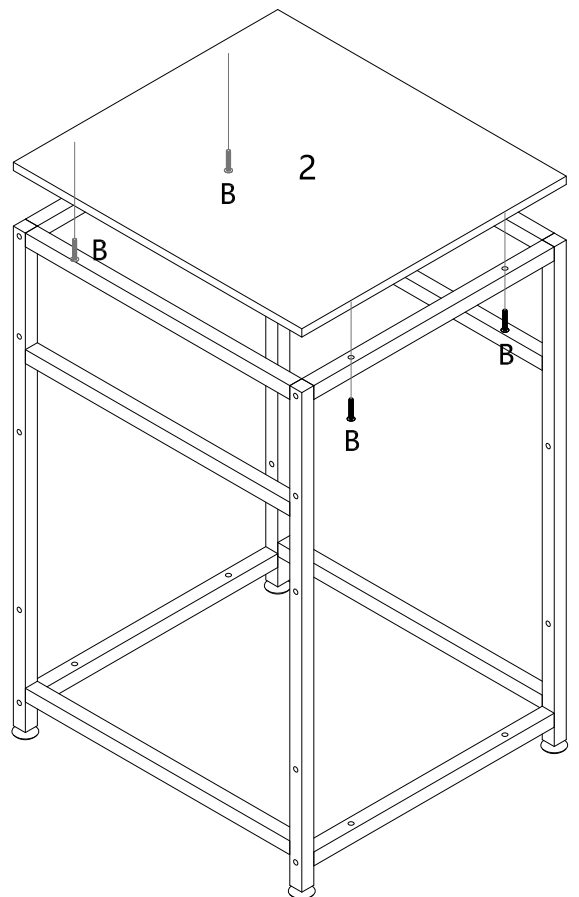
 B x 8 Pcs

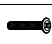
STEP 3



 A x 8 Pcs

STEP 4

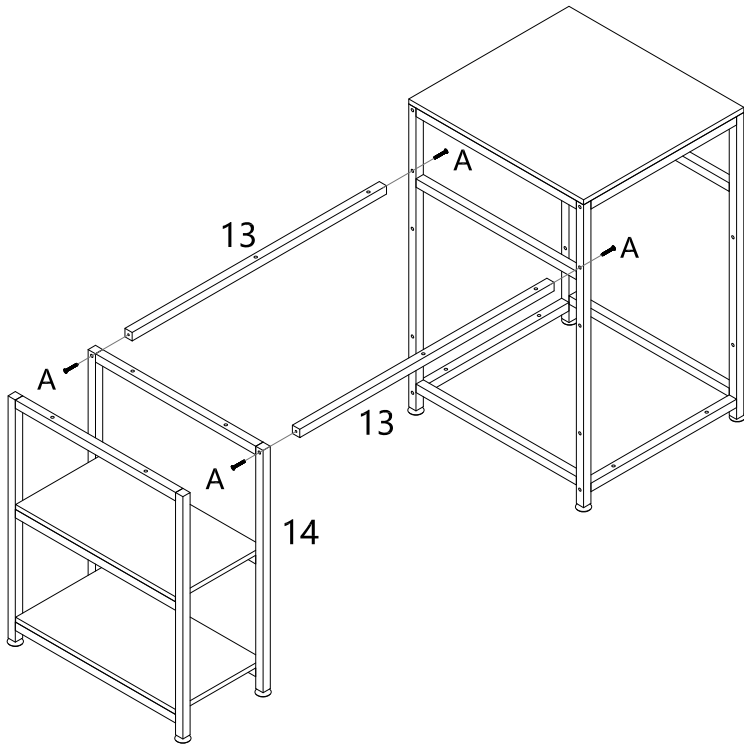


 B x 4 Pcs

# ASSEMBLY INSTRUCTION

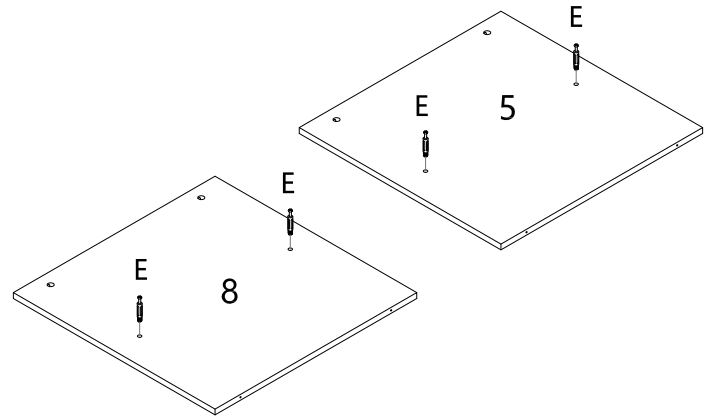
Start assembling furniture


STEP 5



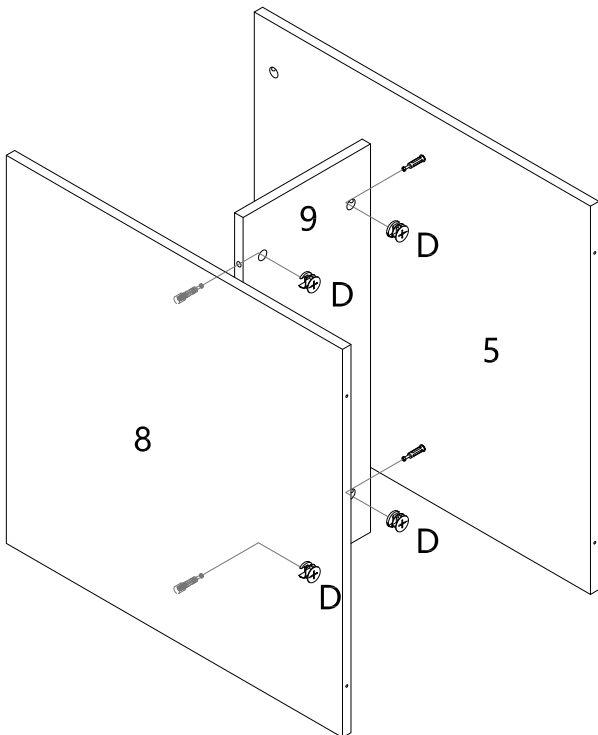
 A x 4 Pcs


STEP 6



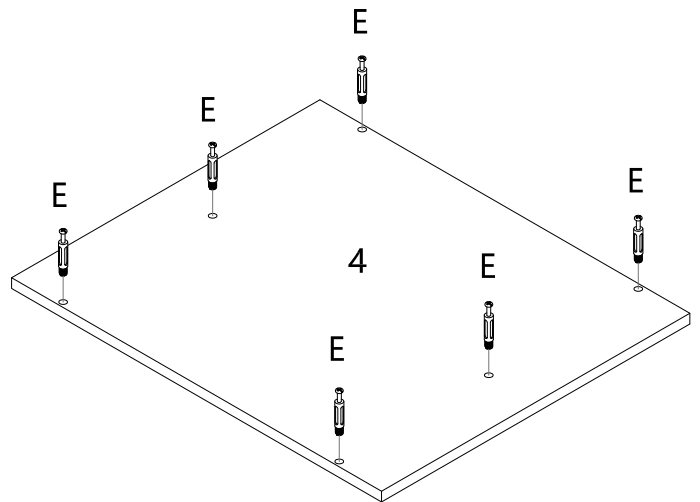
 E x 4 Pcs


STEP 7



 D x 4 Pcs

STEP 8

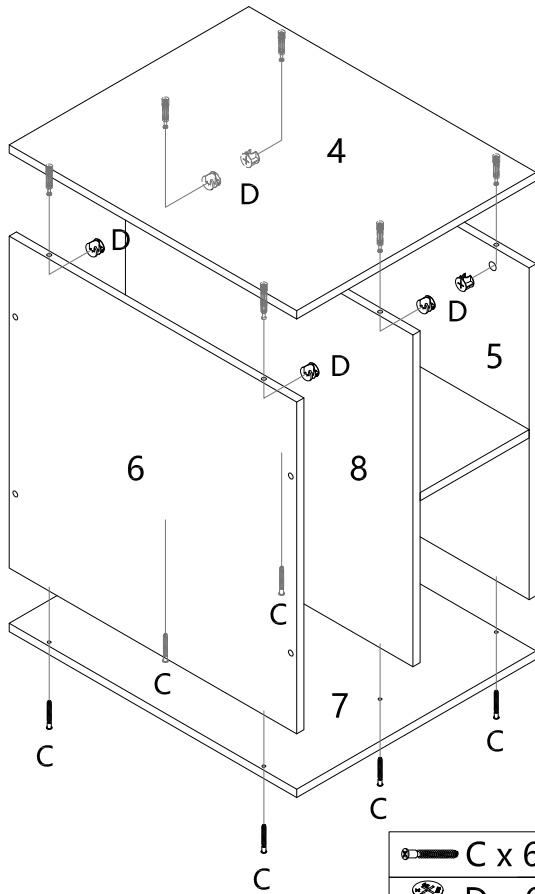


 E x 6 Pcs

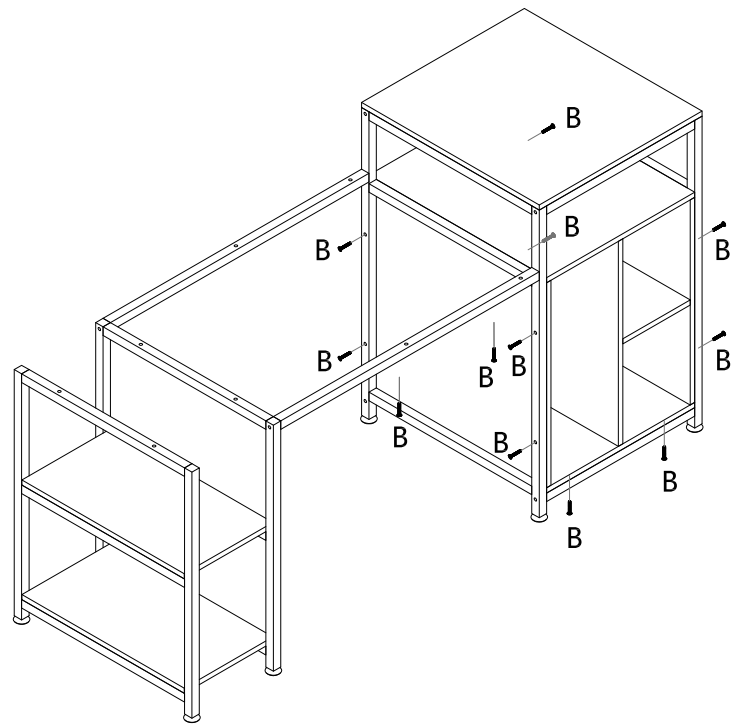
# ASSEMBLY INSTRUCTION

Start assembling furniture

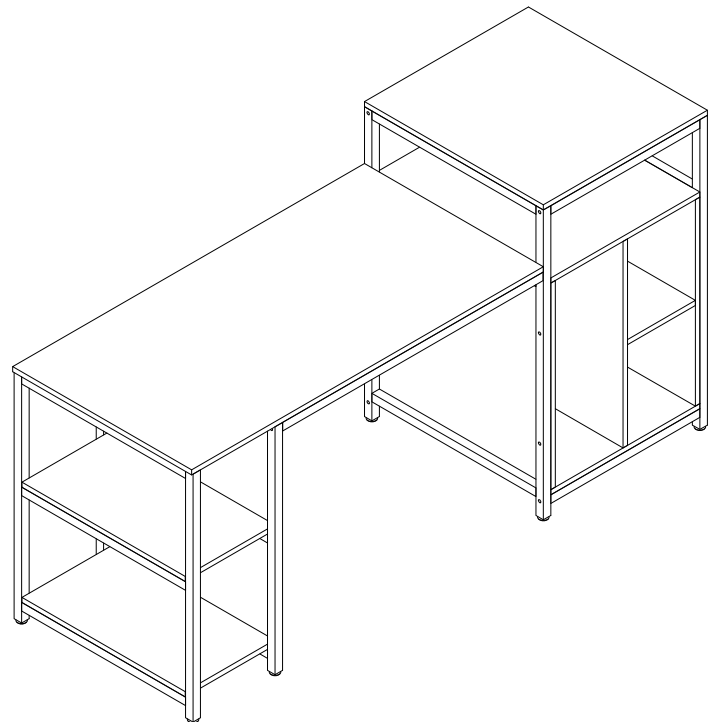
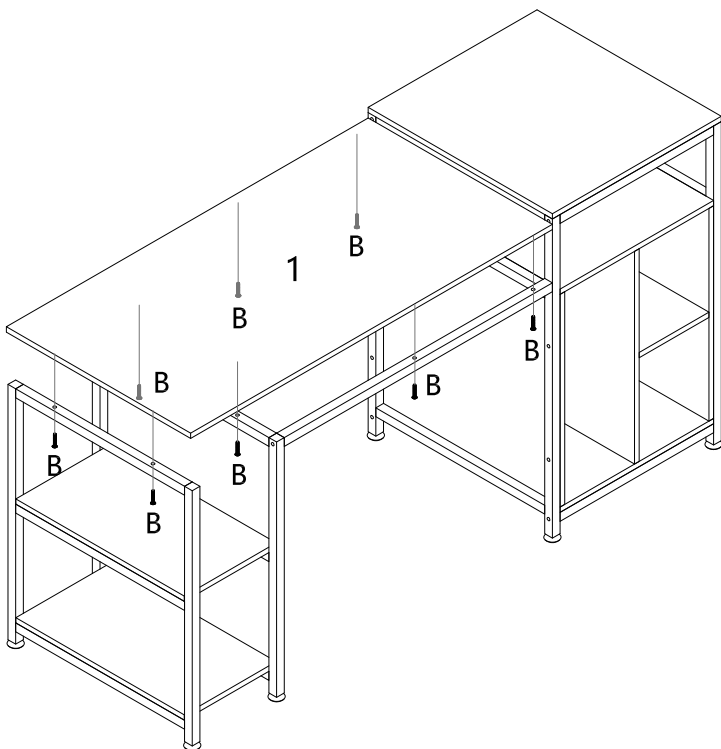
STEP 9



STEP 10



STEP 11



US



001-877-644-9366  
customerservice@aosom.com

CA



001-855-537-6088  
customerservice@aosom.ca

UK



0044-800-240-4004  
enquiries@mhstar.co.uk

DE



0049-(0)40-88307530  
service@aosom.de

FR



0033-1-84166106  
contact@aosom.fr

ES



0034-931294512  
atencioncliente@aosom.es

IT



0039-0249471447  
clienti@aosom.it