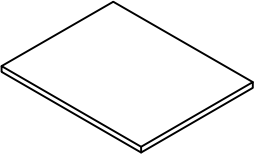
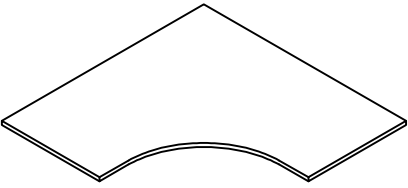
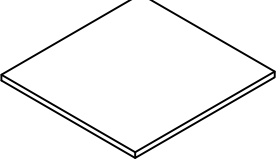
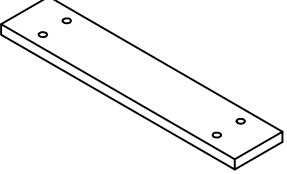
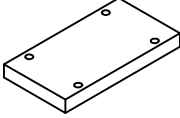
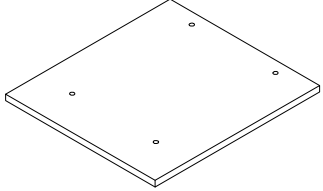
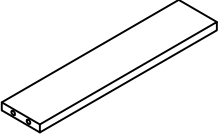
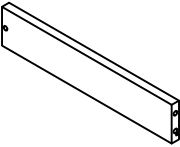
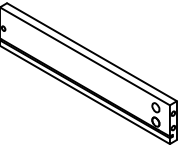
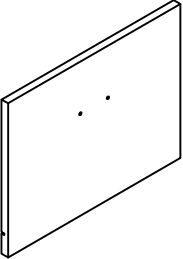
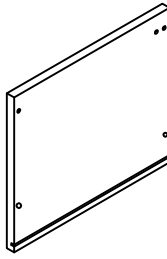
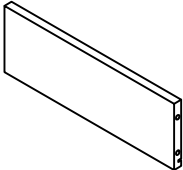
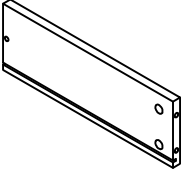


READ AND SAVE THIS INSTRUCTION FOR FUTURE USE

ASSEMBLY INSTRUCTION


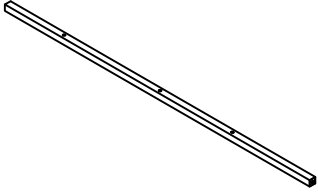
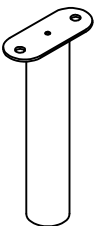
PACKING DETAILS:TOTAL 2 BOXES

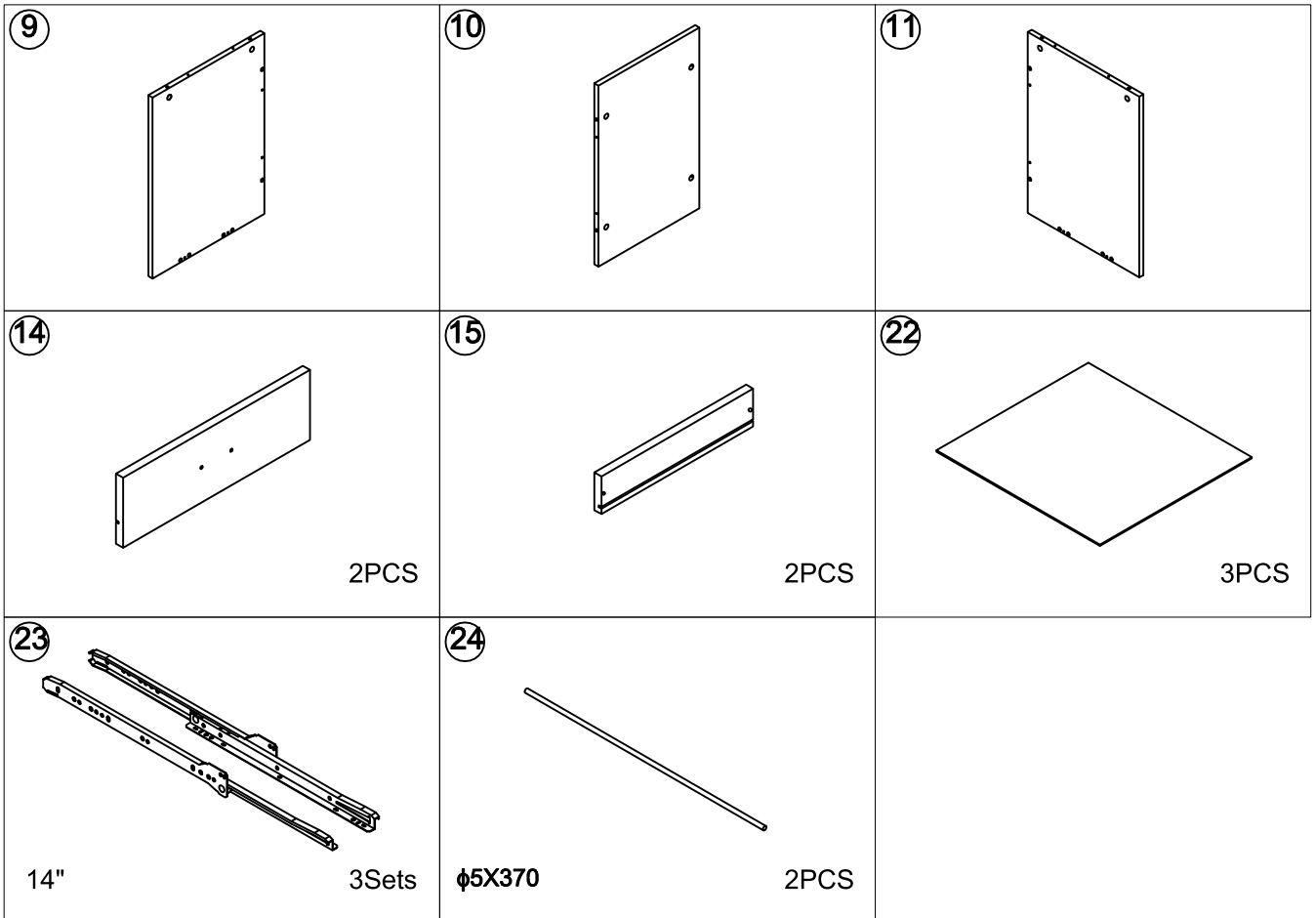
(BOX1/2)

<p>④</p>  <p>A square panel with a slightly raised edge.</p>	<p>⑤</p>  <p>A square panel with a curved bottom edge.</p>	<p>⑥</p>  <p>A square panel with a slightly raised edge.</p>
<p>⑦</p>  <p>A long, thin rectangular bar with four small circular holes along its length.</p>	<p>⑧</p>  <p>A short, thin rectangular bar with four small circular holes along its length.</p> <p>2PCS</p>	<p>⑫</p>  <p>A square panel with four small circular holes, one near each corner.</p>
<p>⑬</p>  <p>A long, thin rectangular bar with a slightly raised edge.</p> <p>2PCS</p>	<p>⑯</p>  <p>A short, thin rectangular bar with a slightly raised edge.</p> <p>2PCS</p>	<p>⑰</p>  <p>A short, thin rectangular bar with a slightly raised edge and four small circular holes along its length.</p> <p>2PCS</p>
<p>⑱</p>  <p>A rectangular panel with two small circular holes near the top edge.</p>	<p>⑲</p>  <p>A rectangular panel with four small circular holes, one near each corner.</p>	<p>⑳</p>  <p>A short, thin rectangular bar with a slightly raised edge.</p>
<p>㉑</p>  <p>A short, thin rectangular bar with a slightly raised edge and four small circular holes along its length.</p>		

PACKING DETAILS:TOTAL 2 BOXES

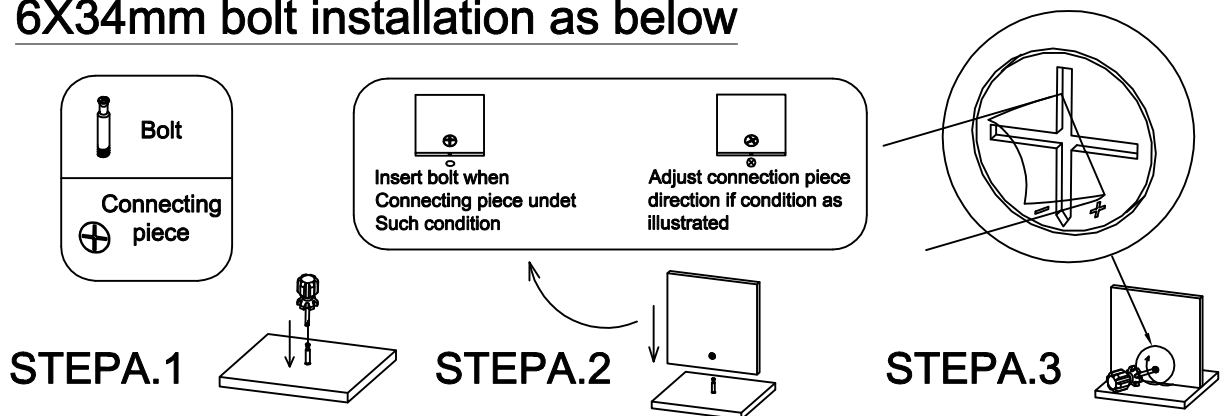
(BOX2/2)

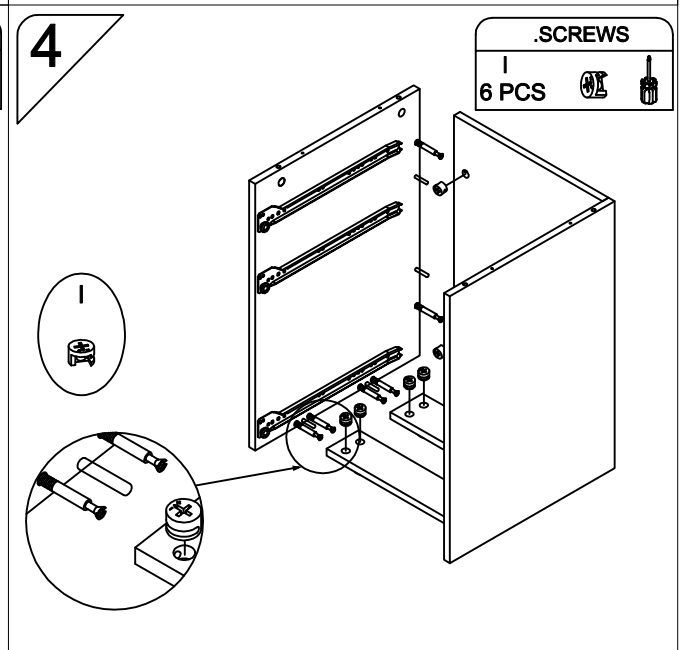
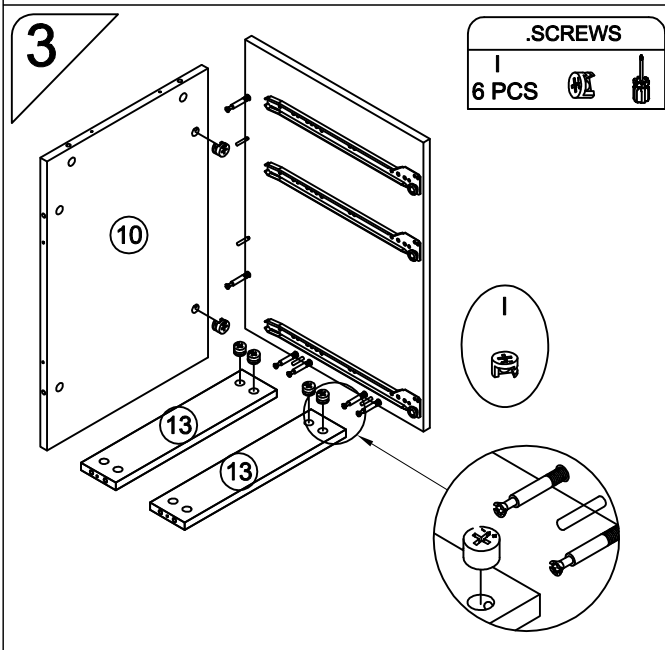
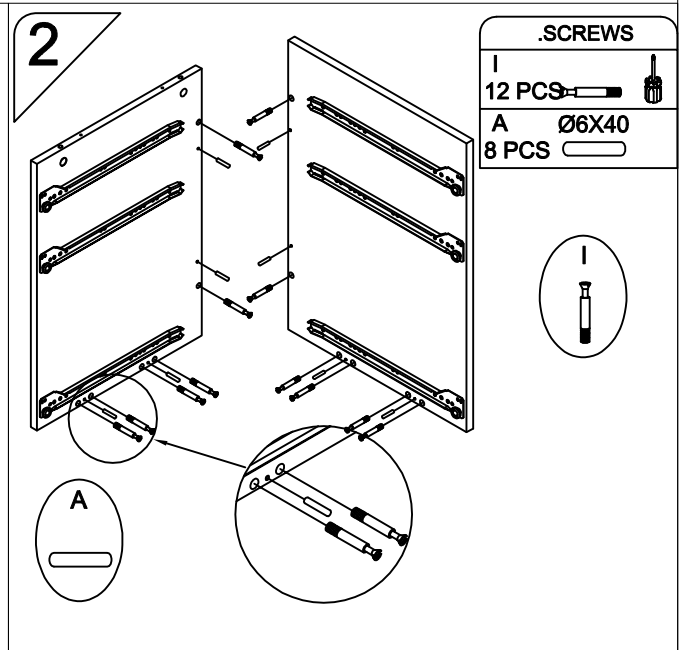
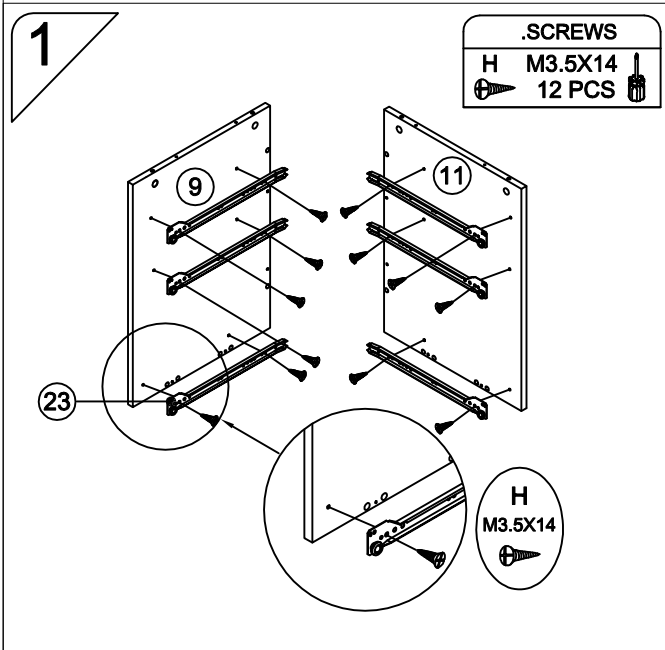
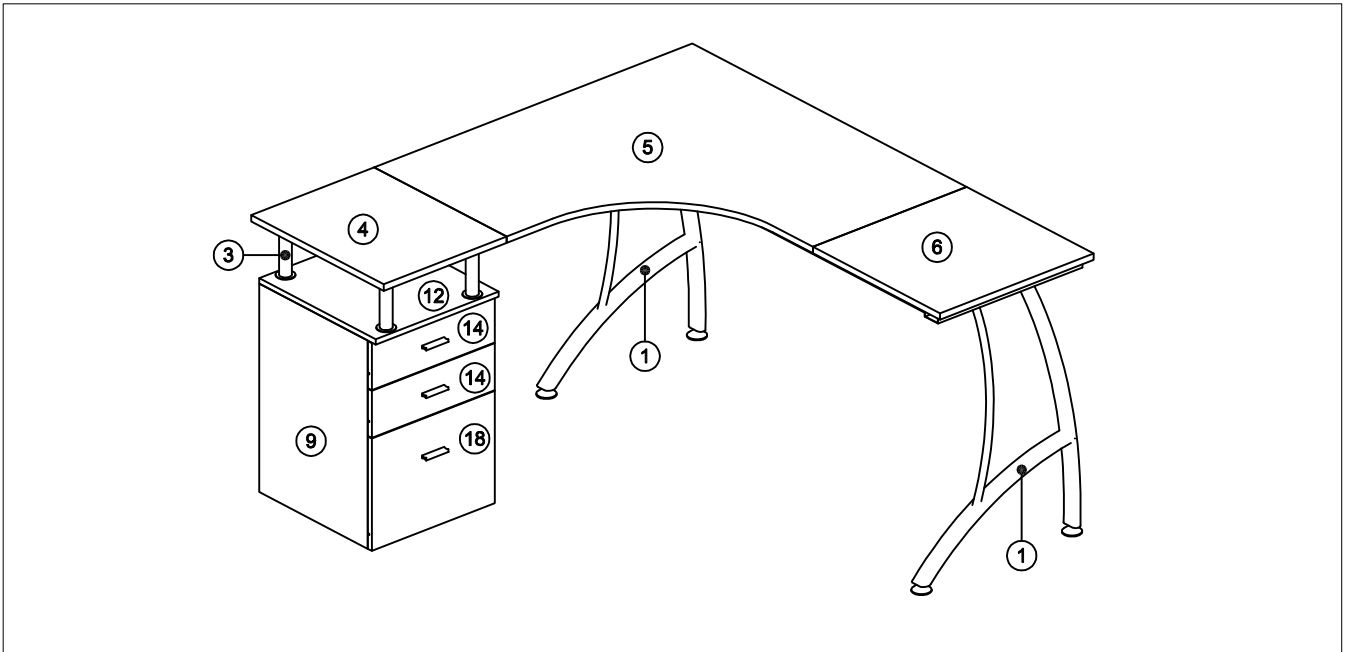
<p>①</p>  <p>A curved support leg with a horizontal top bar.</p> <p>2PCS</p>	<p>②</p>  <p>A long, thin bar with a slightly raised edge.</p> <p>2PCS</p>	<p>③</p>  <p>A vertical post with a top cap that has two small circular holes.</p> <p>4PCS</p>
---	---	---

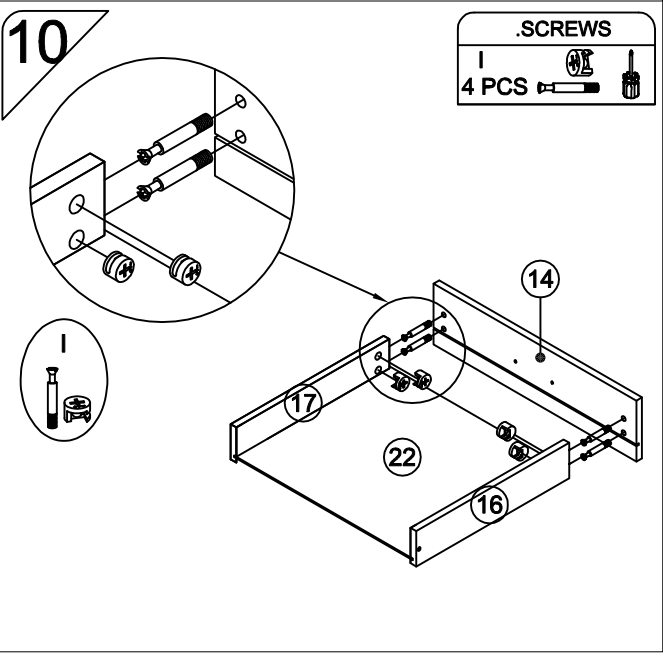
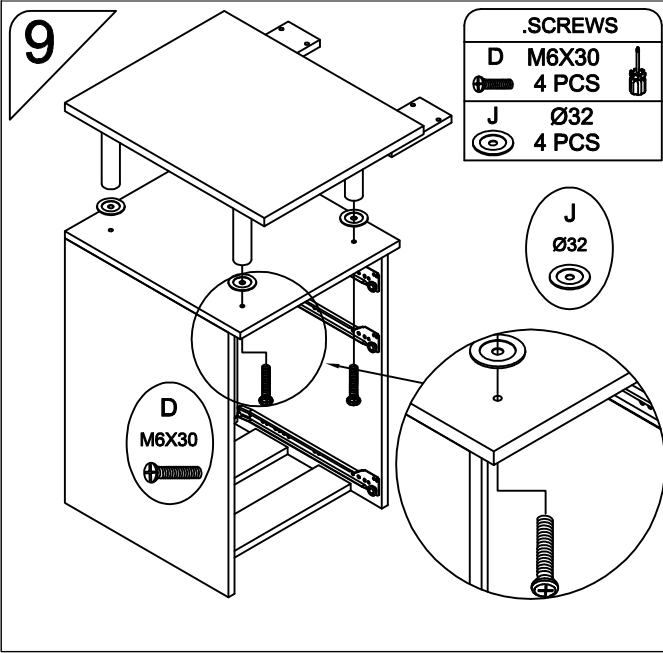
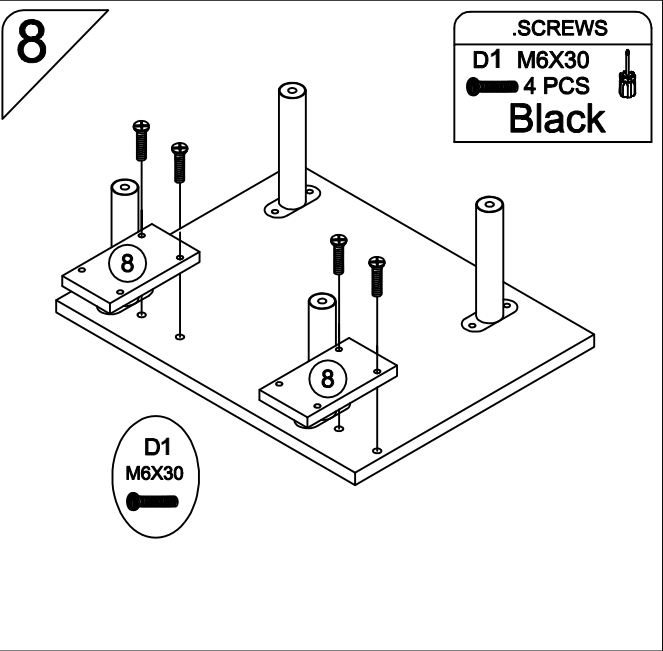
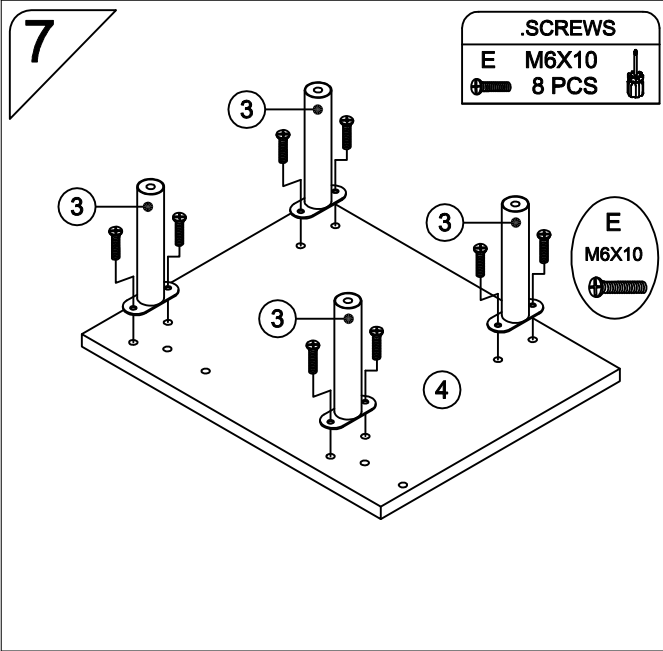
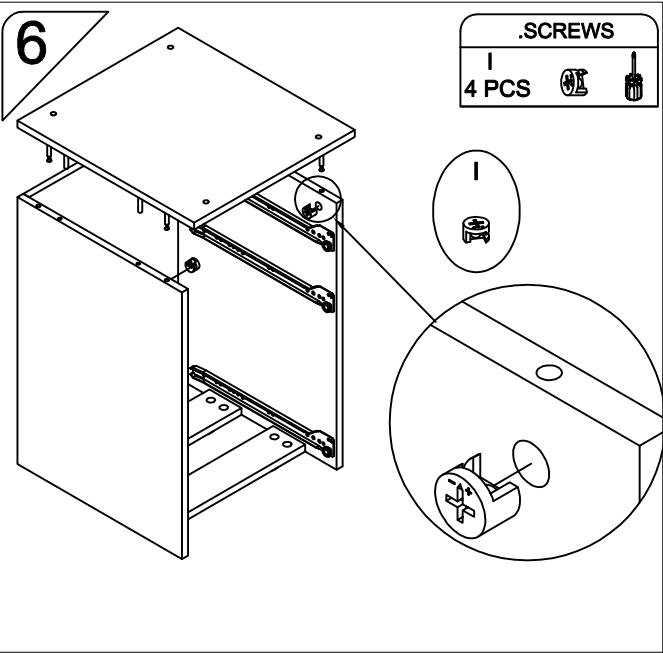
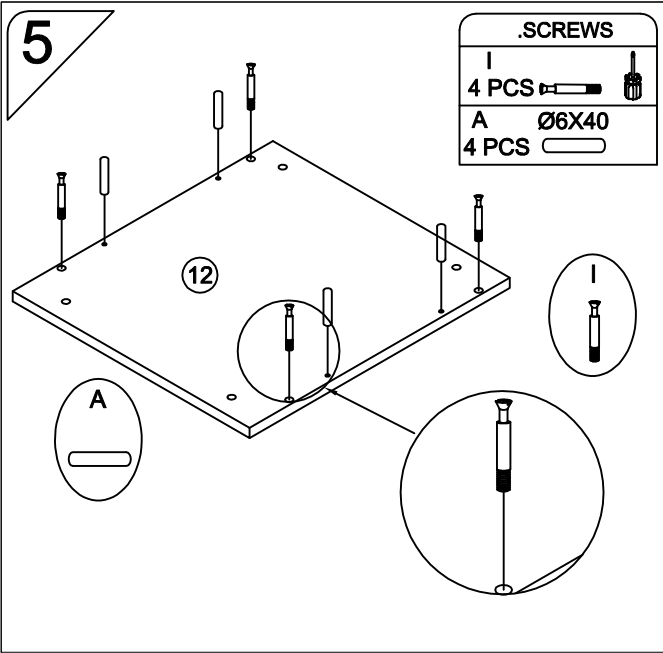


A	$\phi 6 \times 40$	12		G	M5X55	6	
B	M6X70	4		H	M3.5X14	24	
C	M6X35	10		I	M6X34	28	
D	M6X30	4		J	$\phi 32$	4	
D1	M6X30	12	Black	K	M4X64	3	
E	M6X10	8		L	M8X $\phi 50$	4	
F	M4X18	6		M		1	

6X34mm bolt installation as below

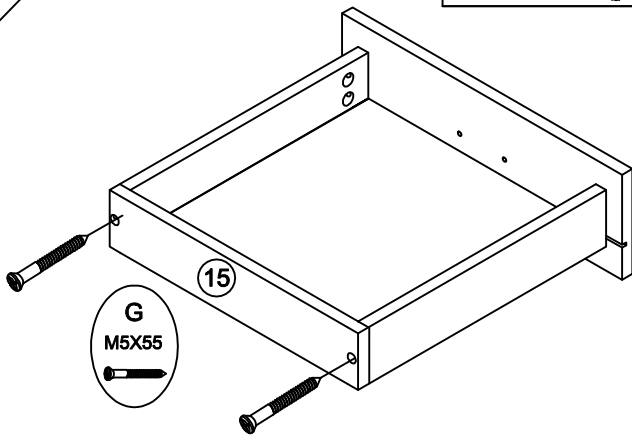






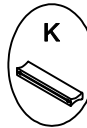
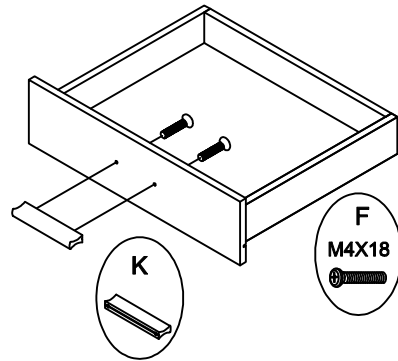
11

.SCREWS
G M5X55
2 PCS



12

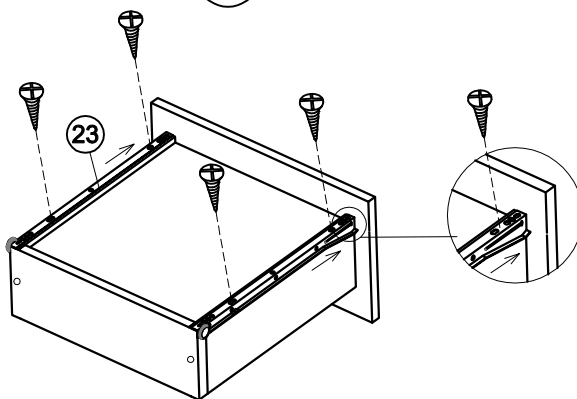
.SCREWS
F M4X18
2 PCS
K
1 PCS



13

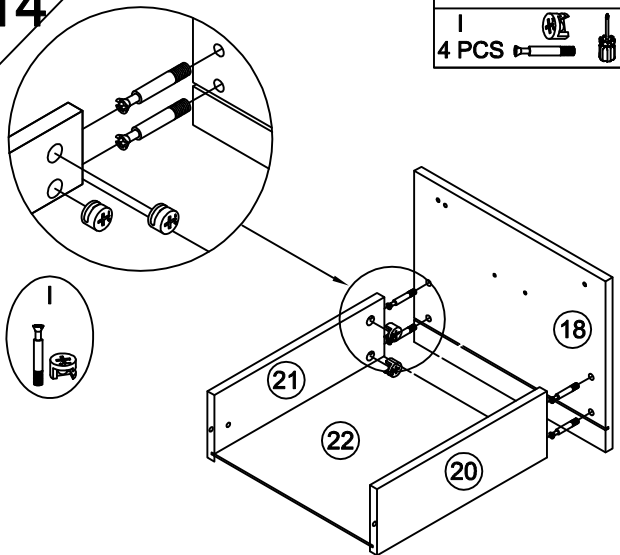
H M3.5X14

.SCREWS
H M3.5X14
4 PCS



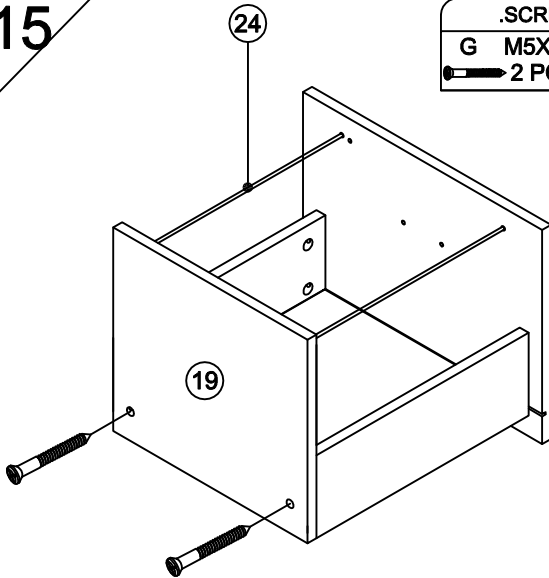
14

.SCREWS
I 4 PCS



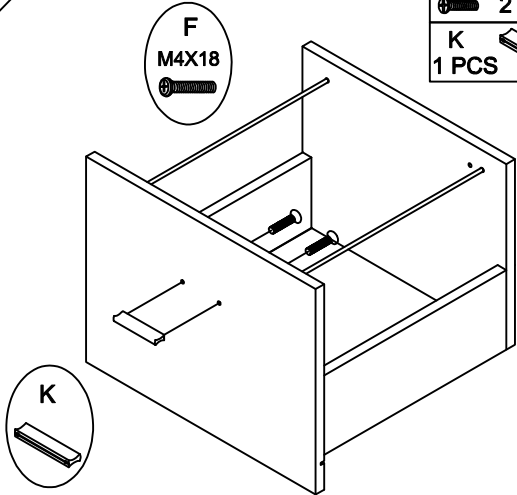
15

.SCREWS
G M5X55
2 PCS



16

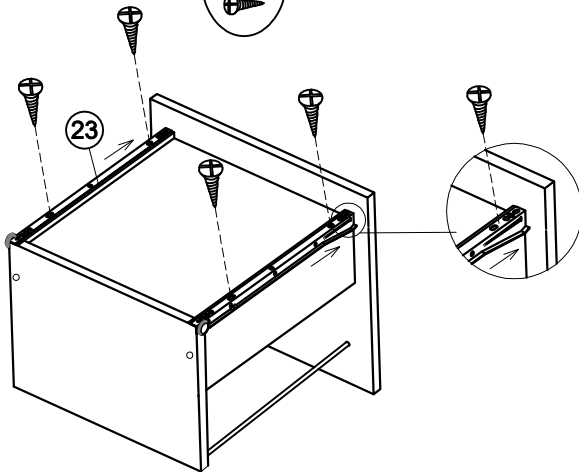
.SCREWS
F M4X18
2 PCS
K
1 PCS



17

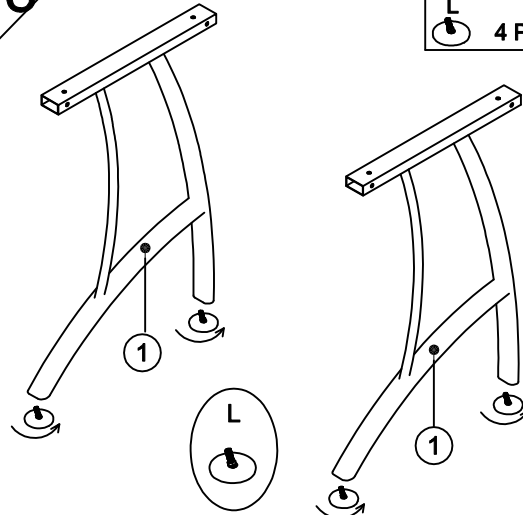
H
M3.5X14

.SCREWS
H M3.5X14
4 PCS



18

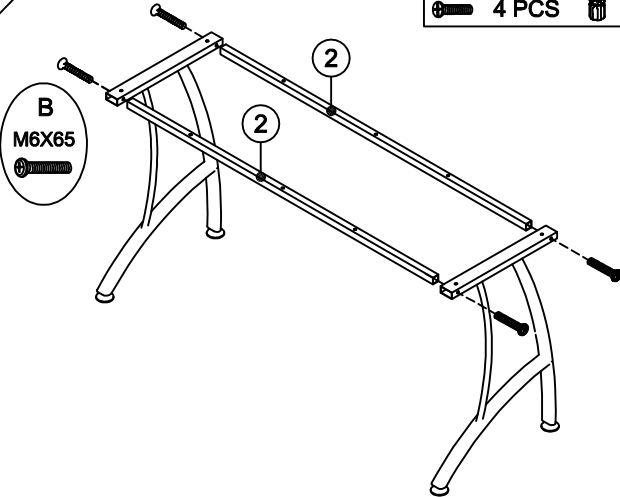
.SCREWS
L
4 PCS



19

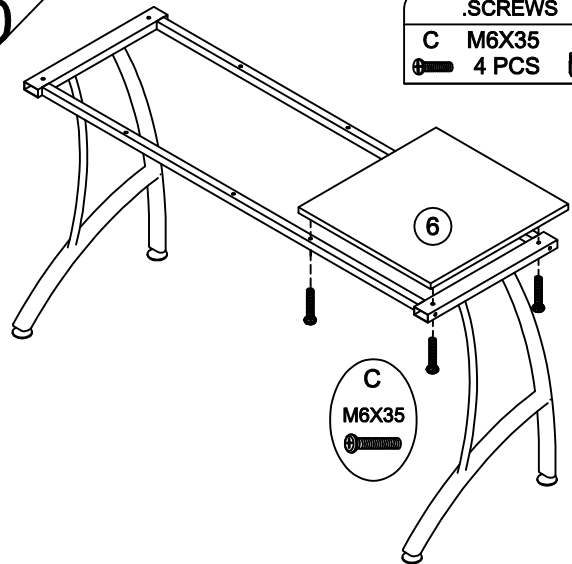
B
M6X65

.SCREWS
B M6X70
4 PCS



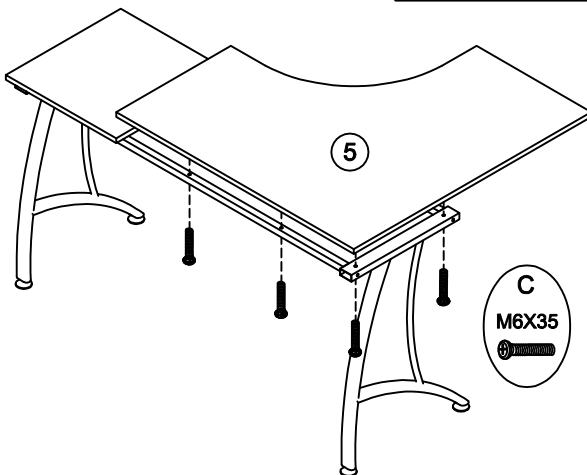
20

.SCREWS
C M6X35
4 PCS



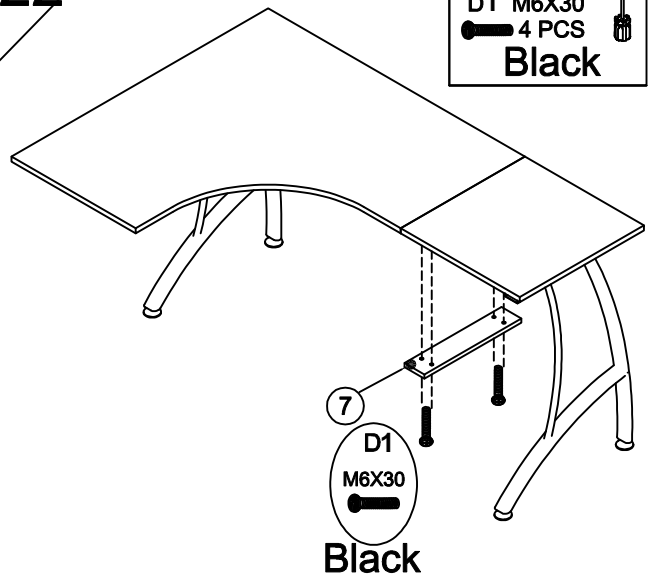
21

.SCREWS
C M6X35
6 PCS



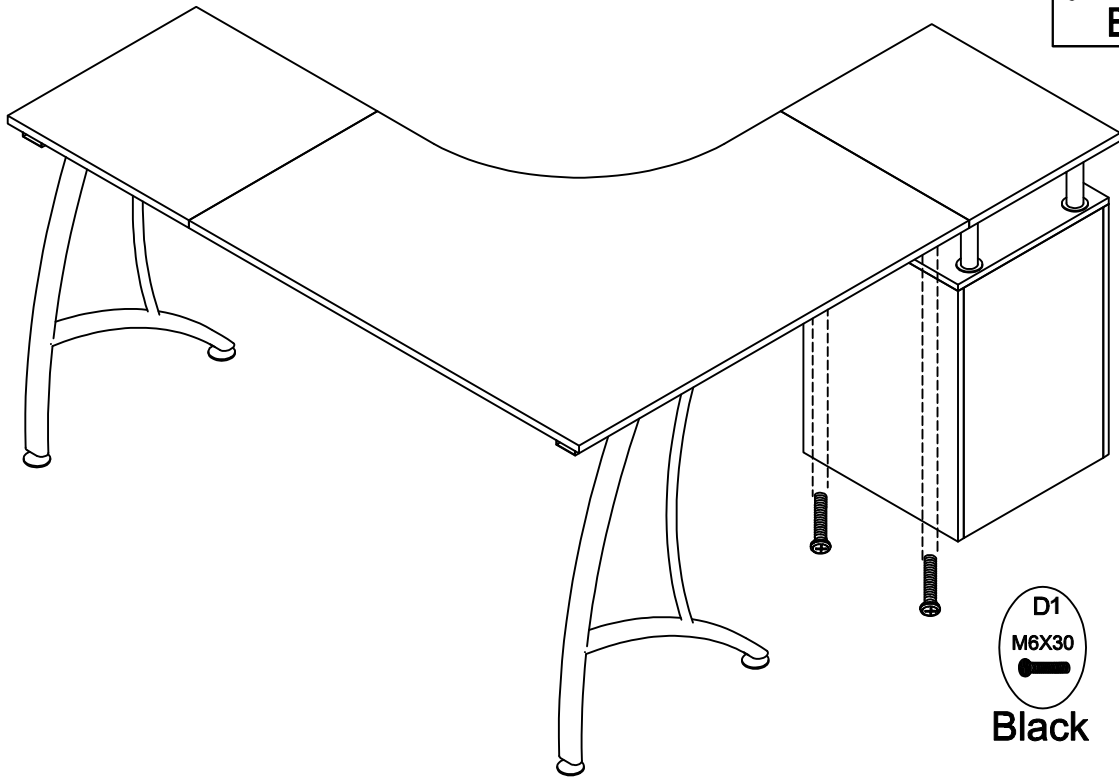
22

.SCREWS
D1 M6X30
4 PCS
Black



23

.SCREWS
D1 M6X30
4 PCS
Black



24

