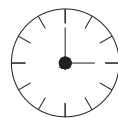
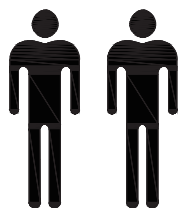
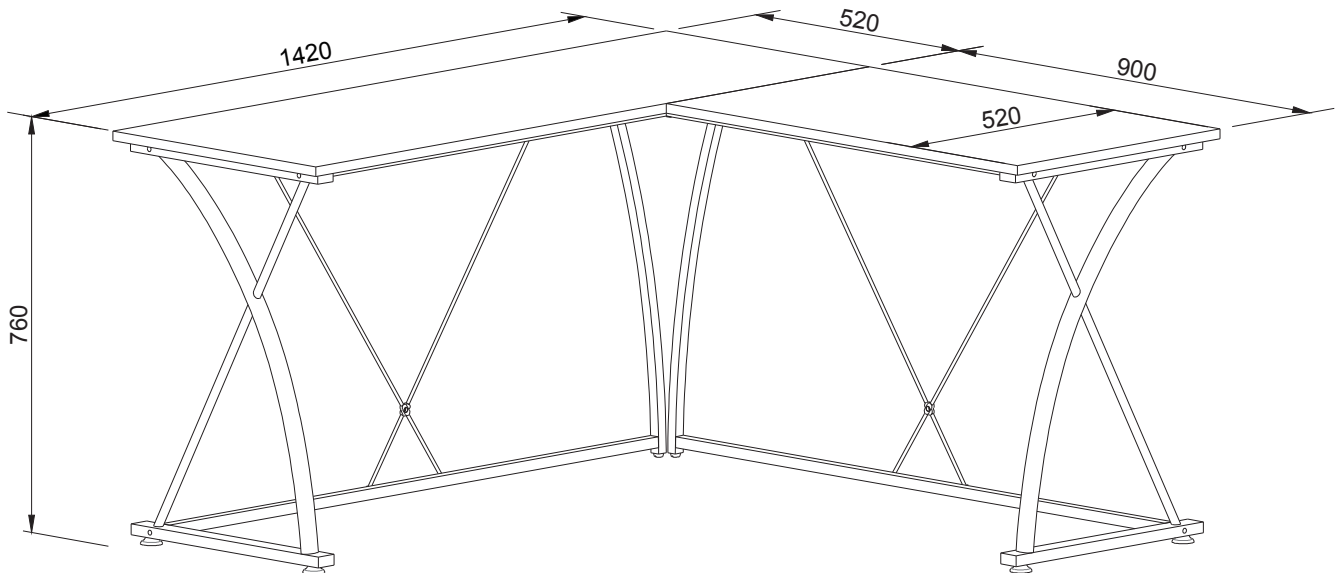


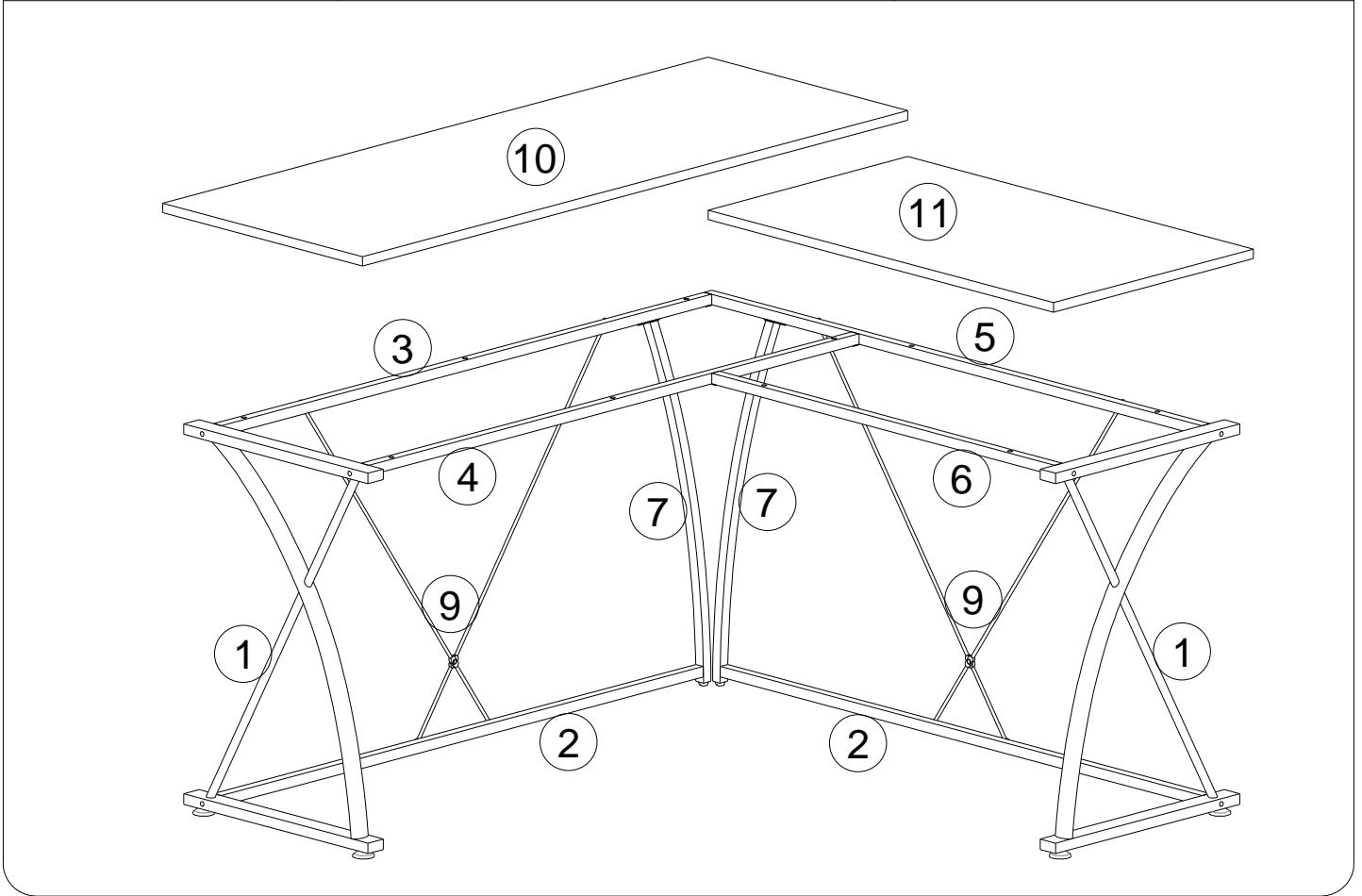
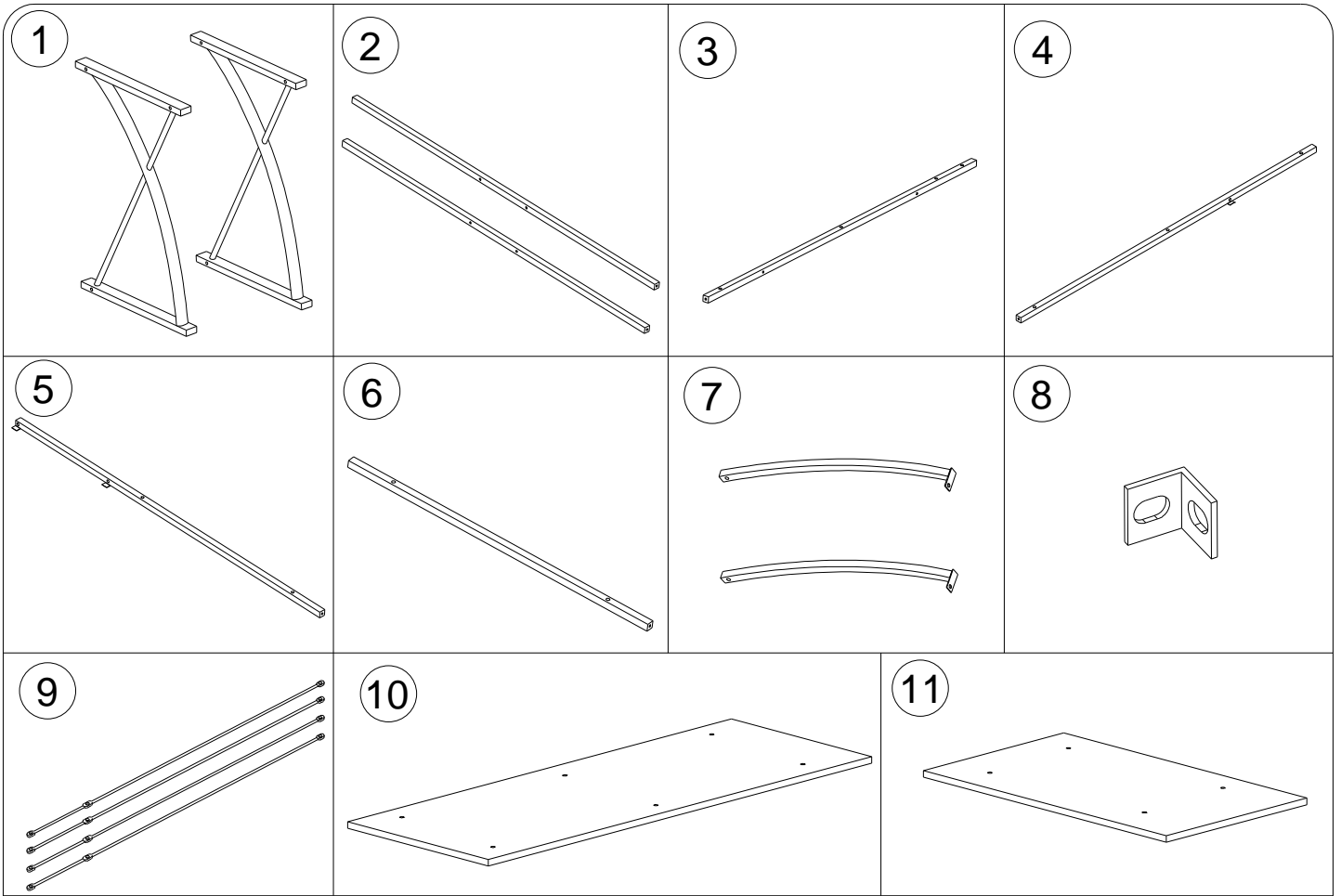
920-062

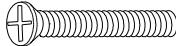
C000000



3 Hours

ASSEMBLY INSTRUCTIONS



Part.	Item.	QTY.	
A	M8X ϕ 50	4	
B	M6X ϕ 20	2	
C	M6x12	12	
D	M6x35	5	
E	M6x55	6	
F	M6x30	10	
G	M6	2	
		1	

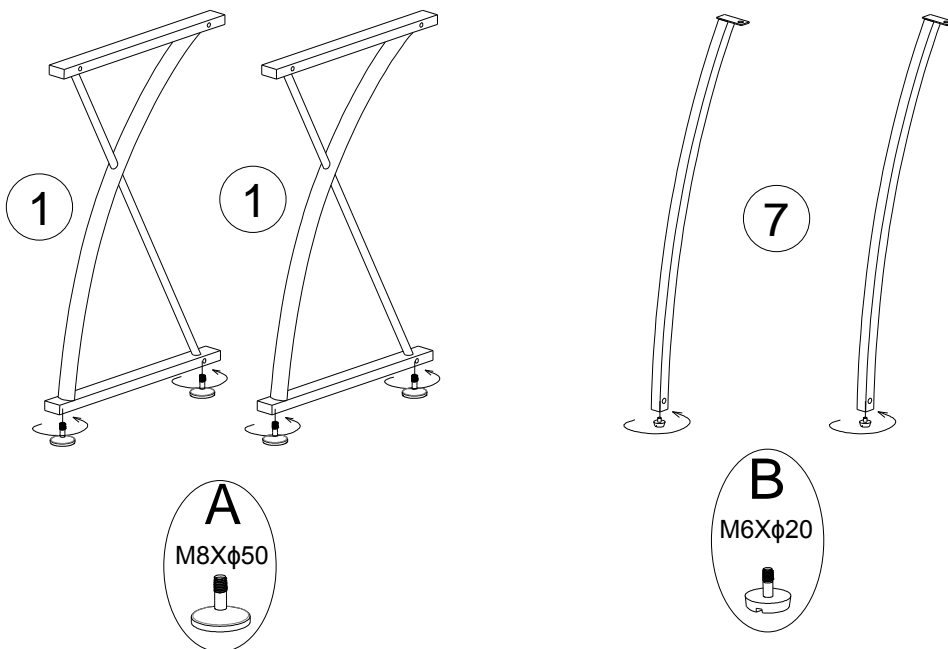
1

.SCREWS

A M8Xφ50
4 PCS

.SCREWS

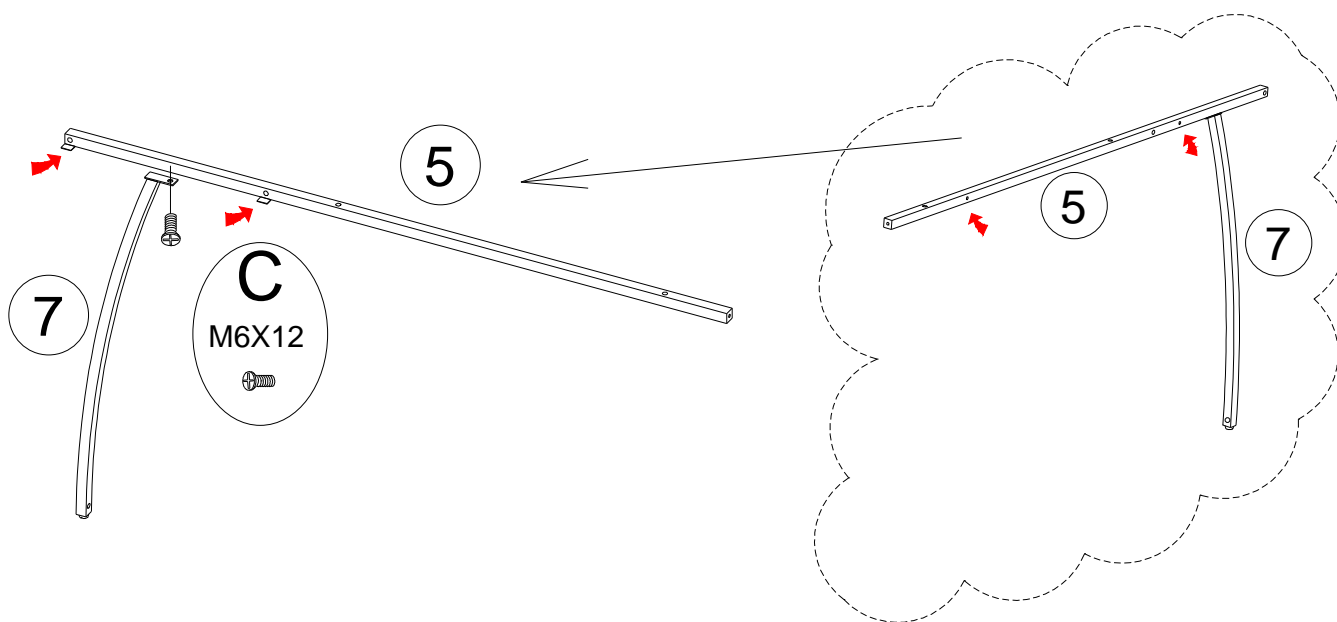
B M6Xφ20
2 PCS



2

.SCREWS

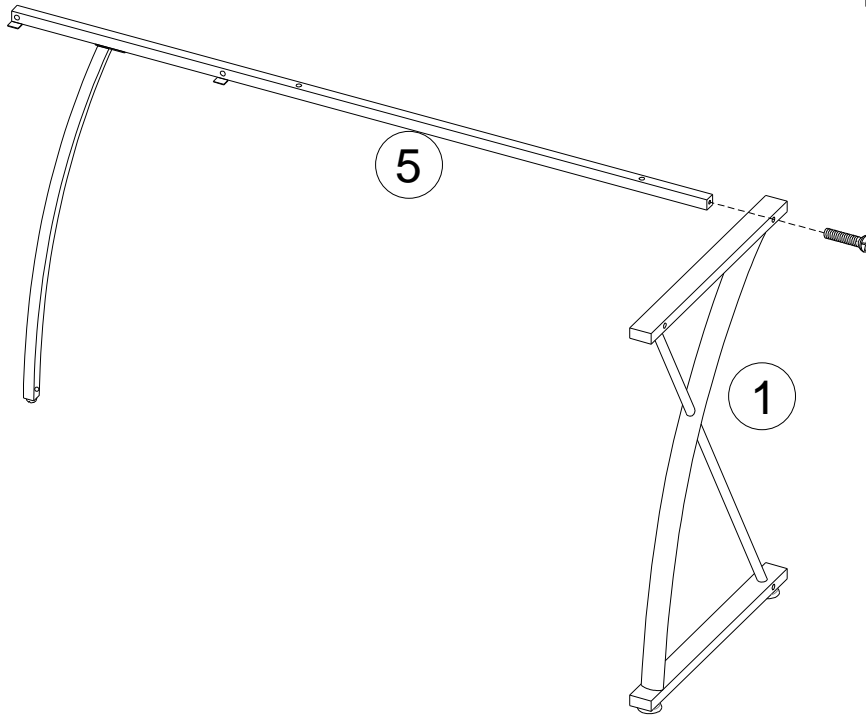
C M6X12
1 PCS



3

.SCREWS

E M6X55
1 PCS



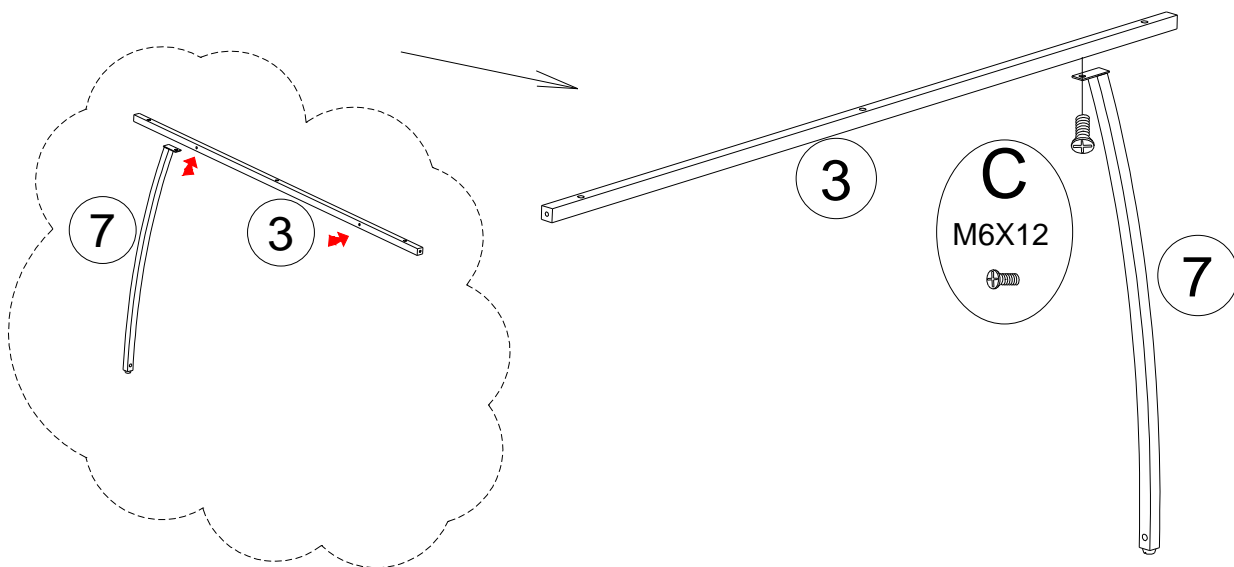
E
M6X55



4

.SCREWS

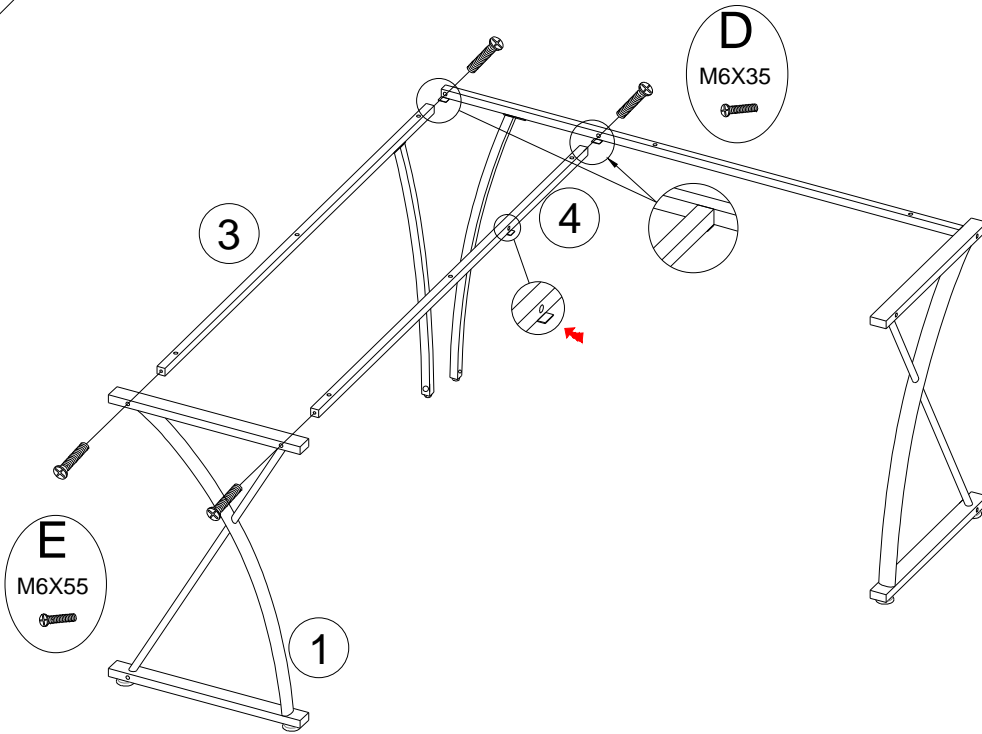
C M6X12
1 PCS



C
M6X12



5



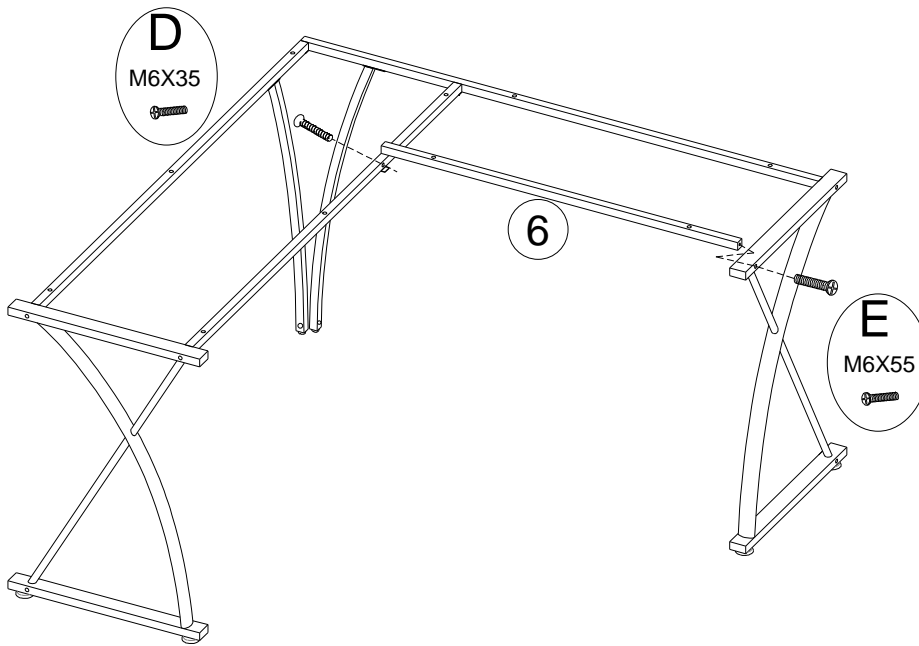
.SCREWS

D M6X35
2 PCS

.SCREWS

E M6X55
2 PCS

6



.SCREWS

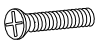

D M6X35
1 PCS

.SCREWS

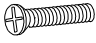

E M6X55
1 PCS

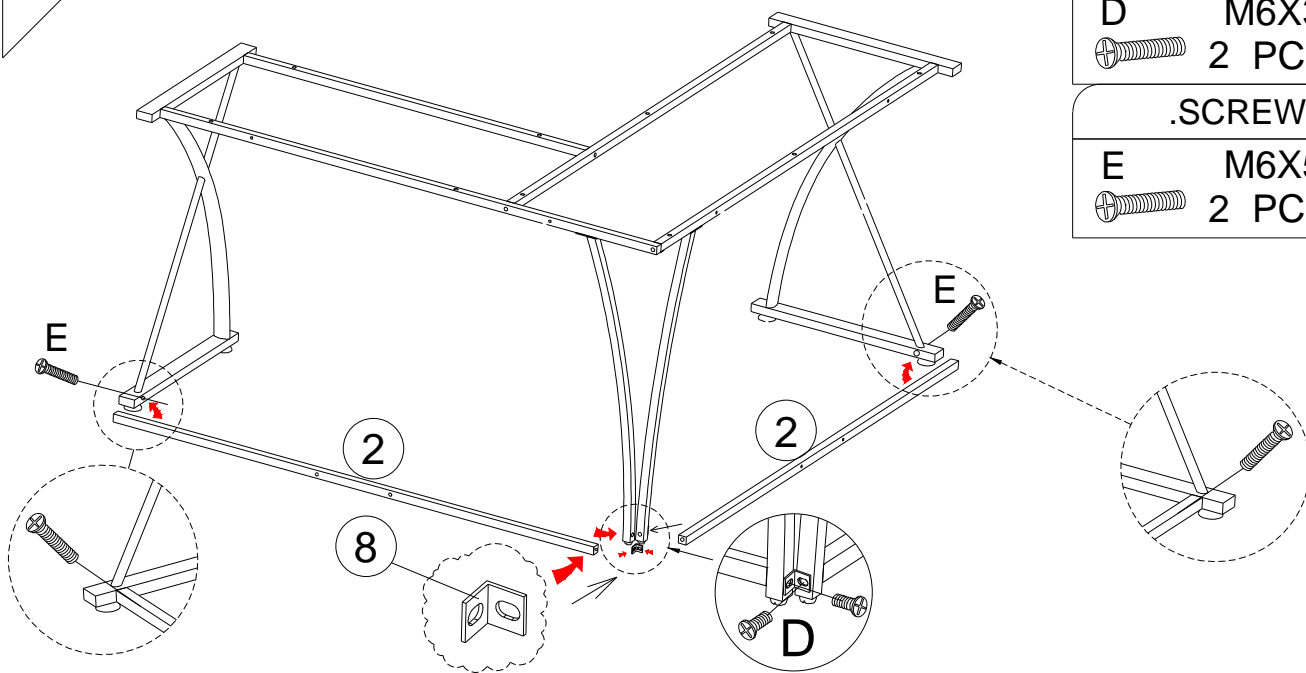
7

.SCREWS

D M6X35
 2 PCS 



.SCREWS

E M6X55
 2 PCS 





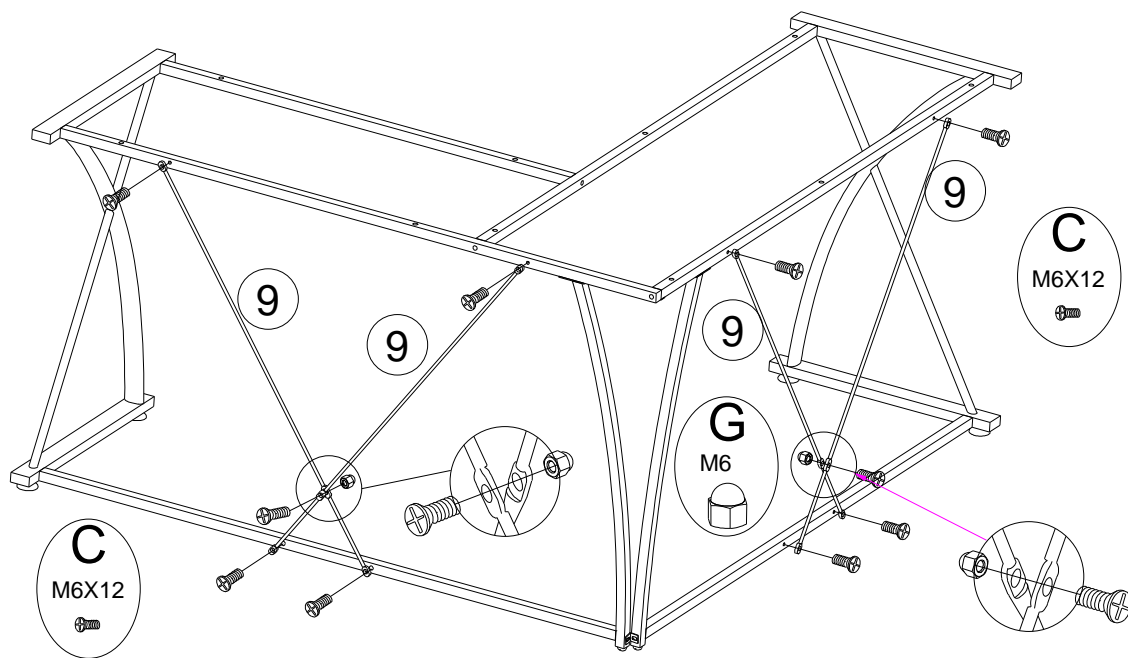
8

.SCREWS

C M6X12
 10 PCS 




.SCREWS

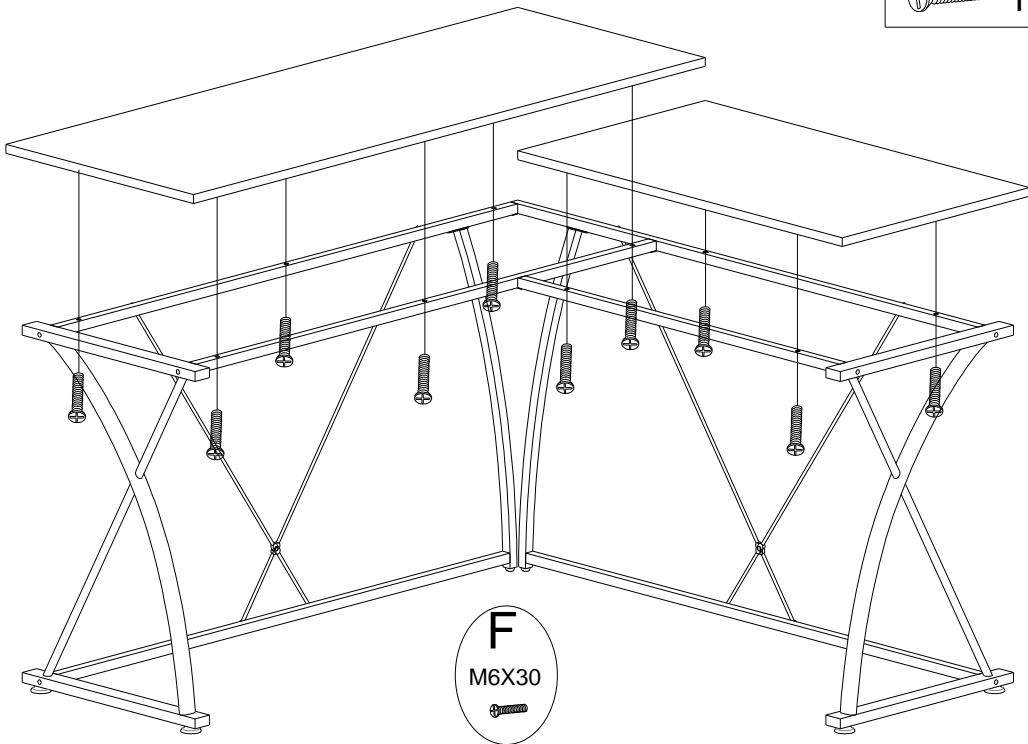
G M6
 2 PCS 



9

.SCREWS

F M6X30 
 10 PCS 



10

