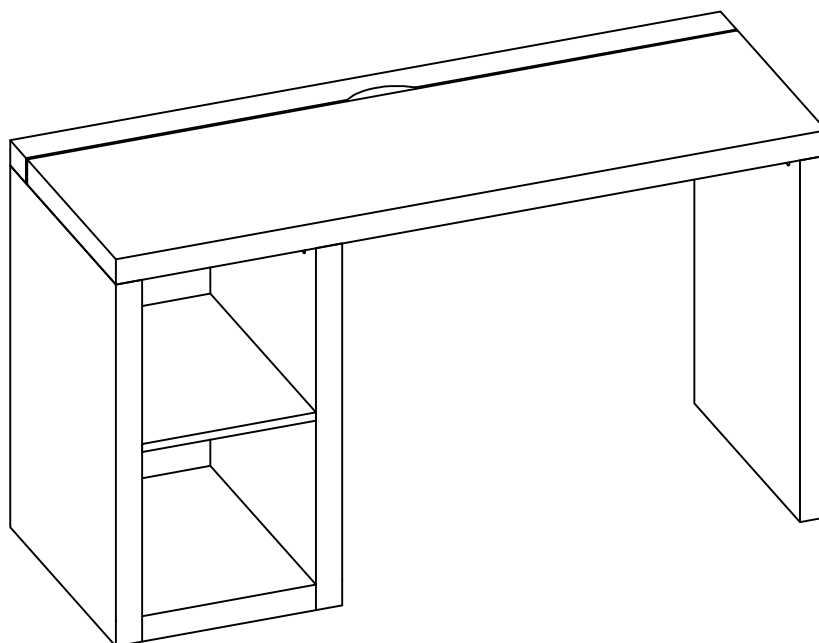




INcfb026_GL

836-260_836-260V80

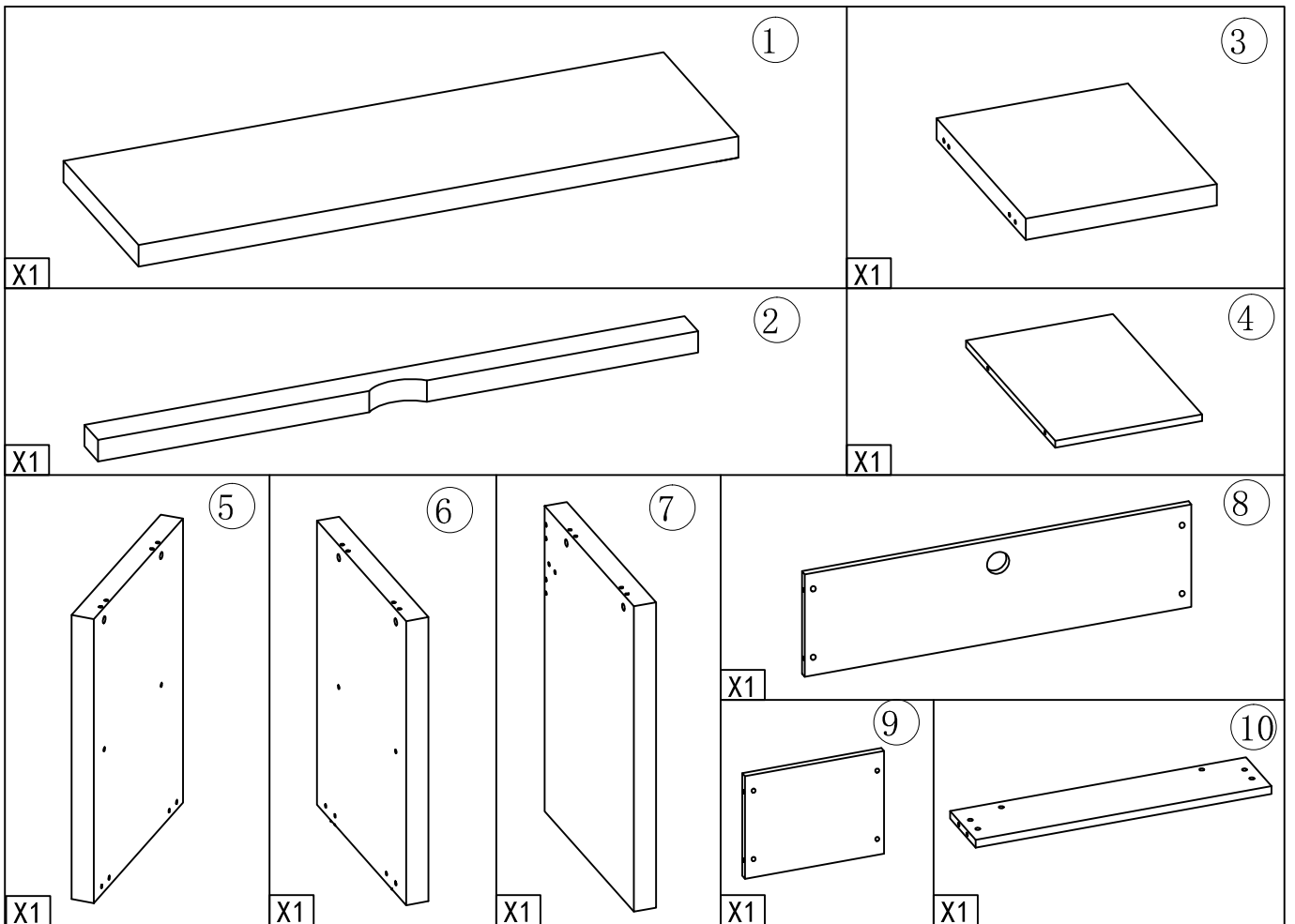
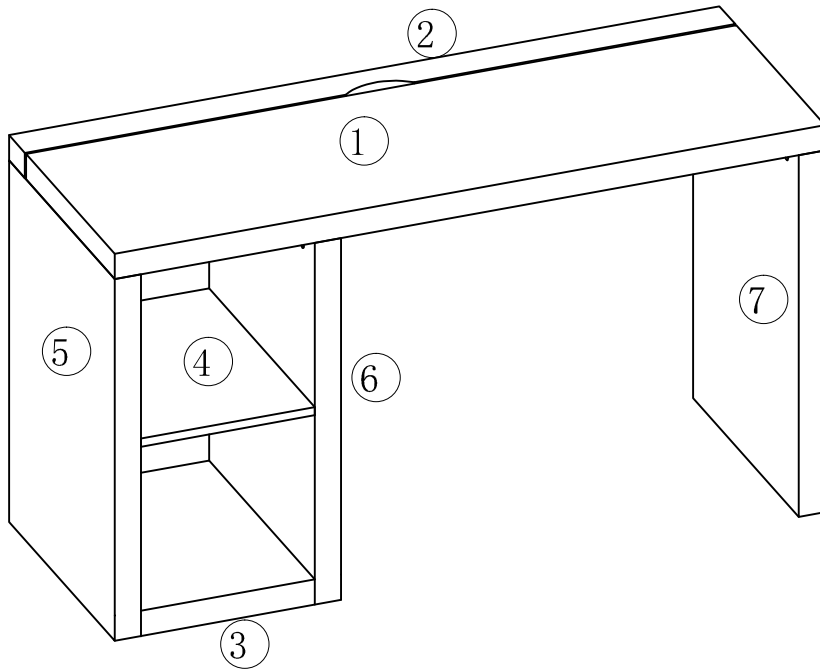


READ AND SAVE THESE INSTRUCTIONS FOR FUTURE USE






OPERATING INSTRUCTIONS

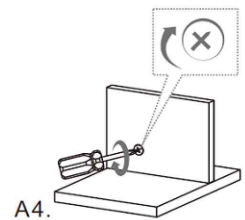
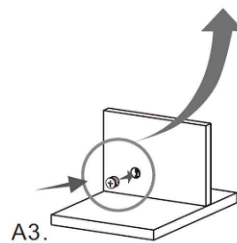
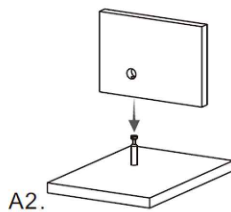
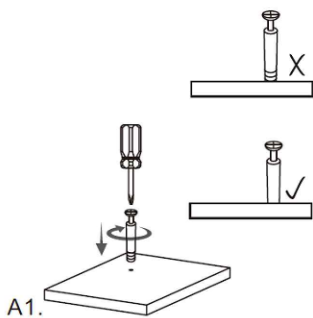
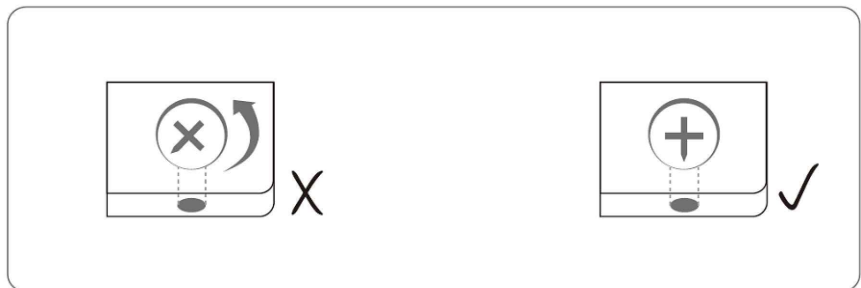
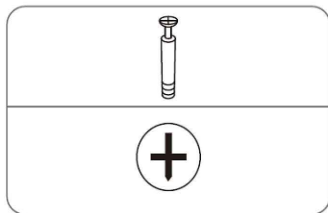
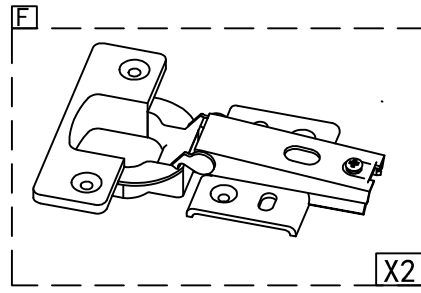


■ Part List





PART	QTY.	ITEM	
A	28	6*35MM	
B	28	φ15MM	
C	10	φ8*40MM	
D	1	50X16MM	
E	12	4*16MM	





■ Assembly Instructions

1

A X12

A 6*35MM	
	X12
B ϕ 15MM	
	X12

2

D X1

3

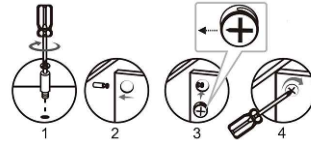
A X2


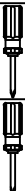


A 6*35MM	
	X2
B ϕ 15MM	
	X2

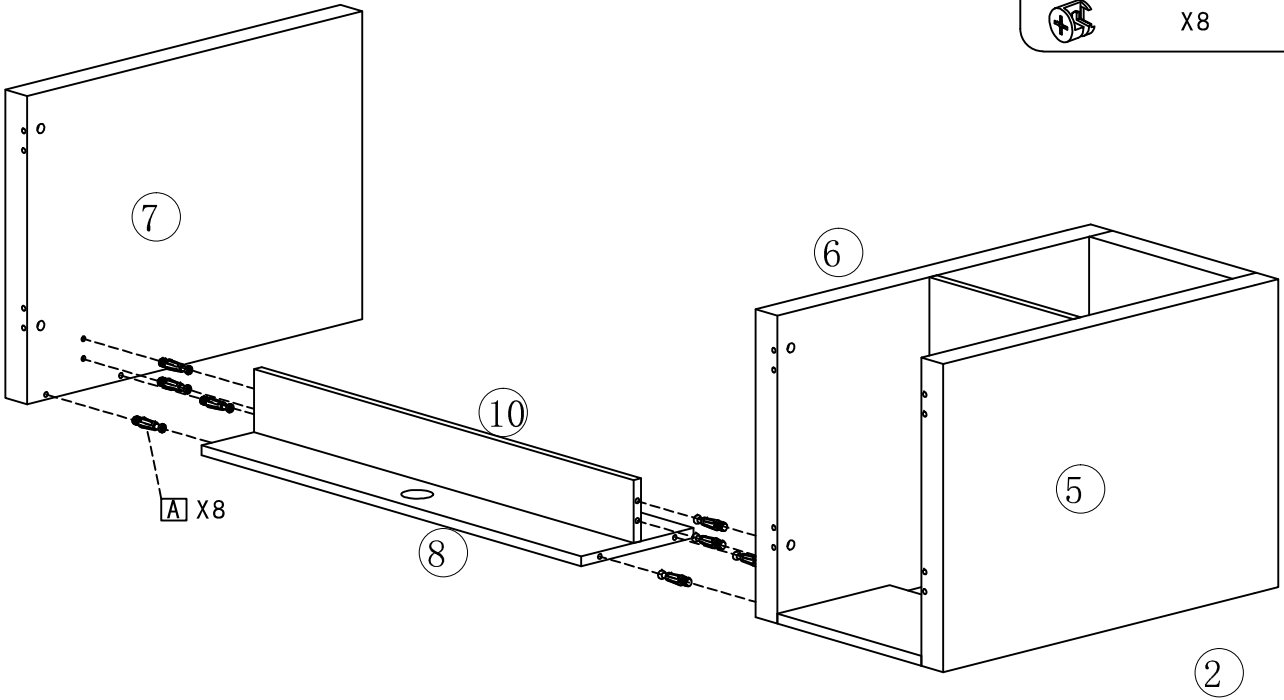


■ Assembly Instructions

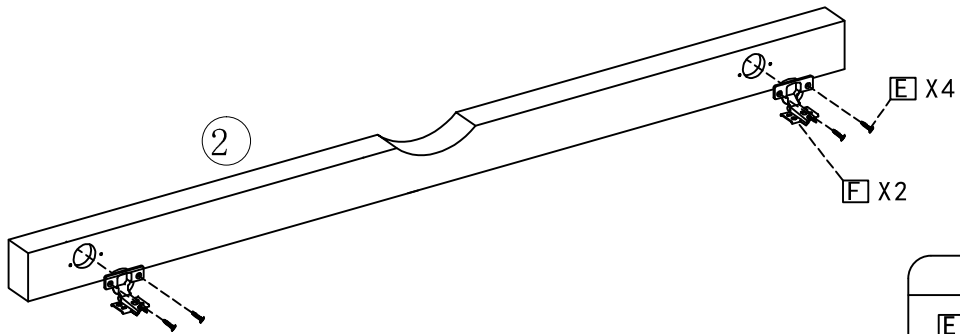
4




A 6*35MM		X8	
B ϕ 15MM		X8	



5

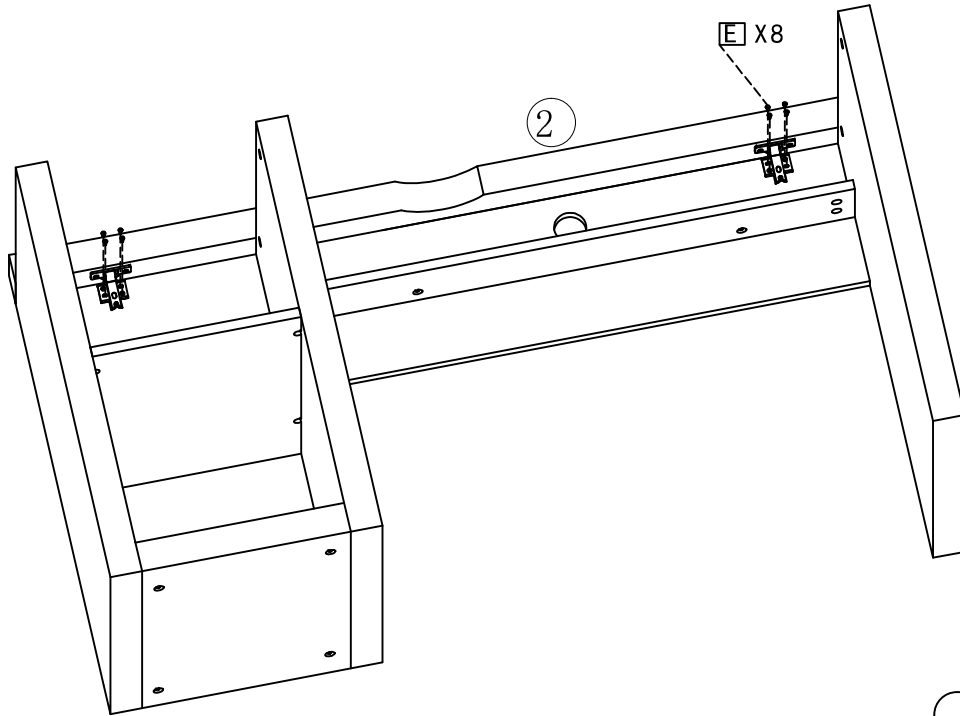




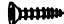
E 4*16MM		X4	
-----------------	---	----	---



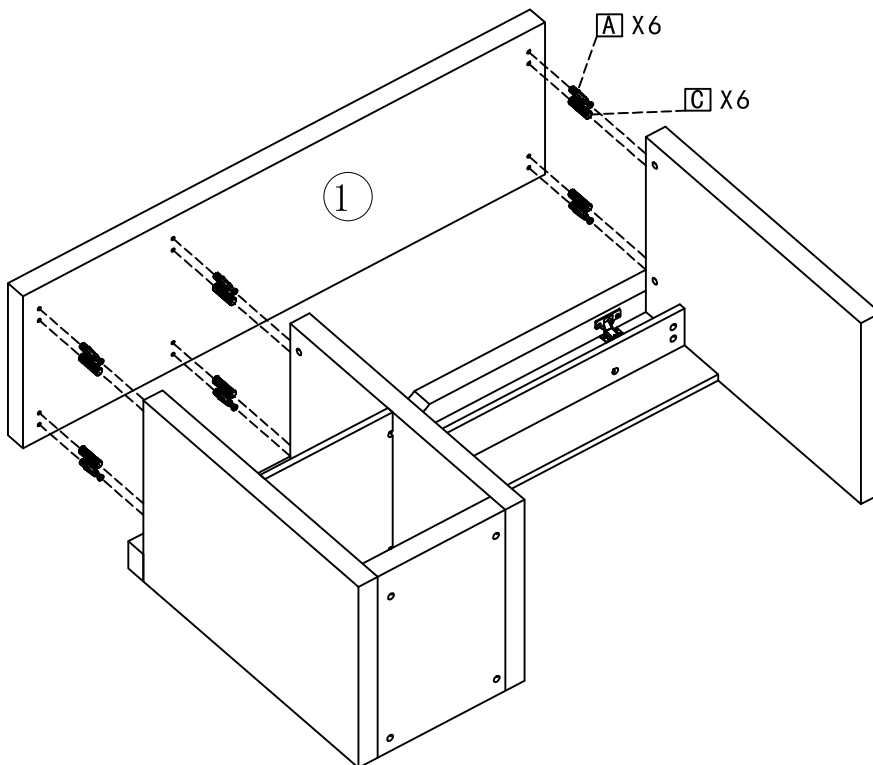
■ Assembly Instructions








6



 E 4*16MM	
 X8	

7

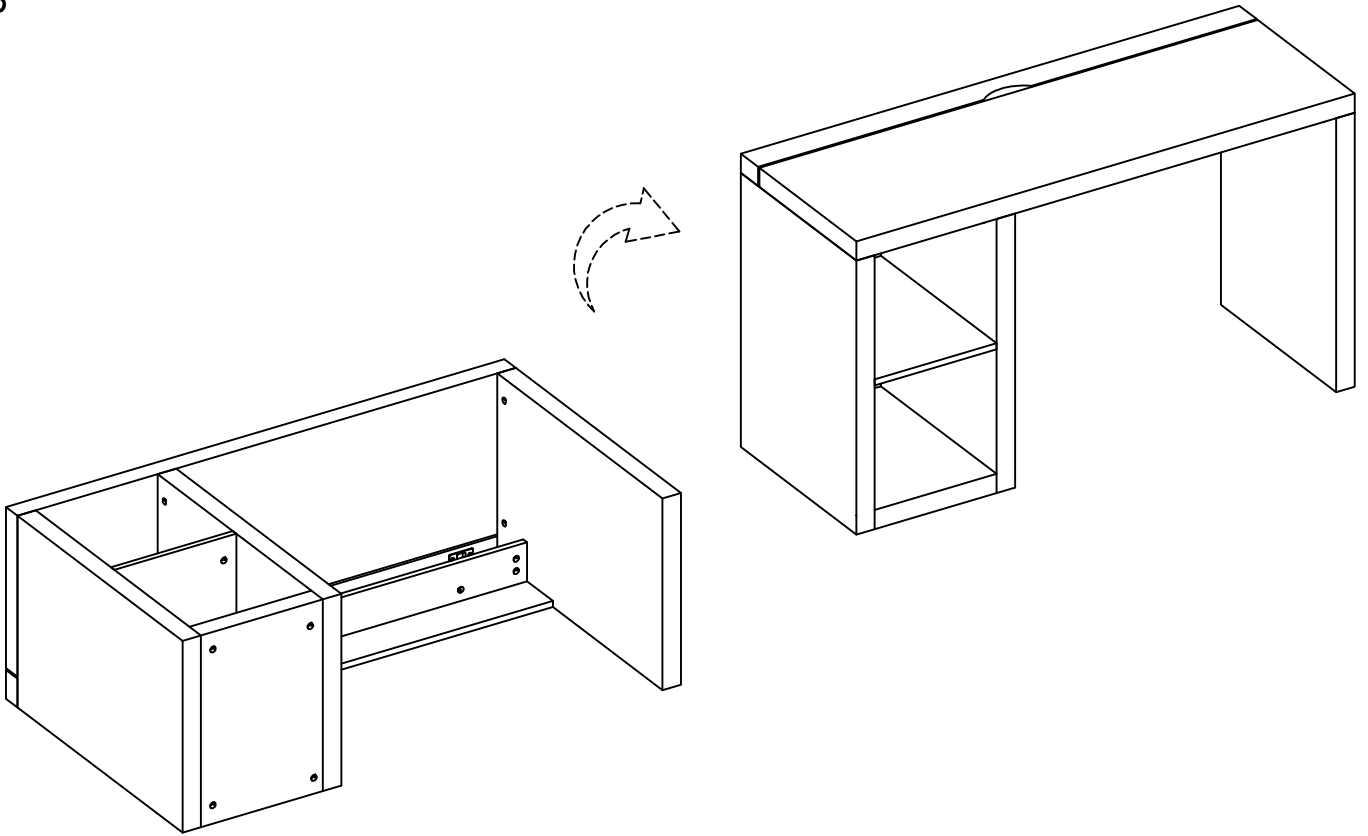


		
A 6*35MM	 X6	
B ϕ 15MM	 X6	
C ϕ 8*40MM	 X6	

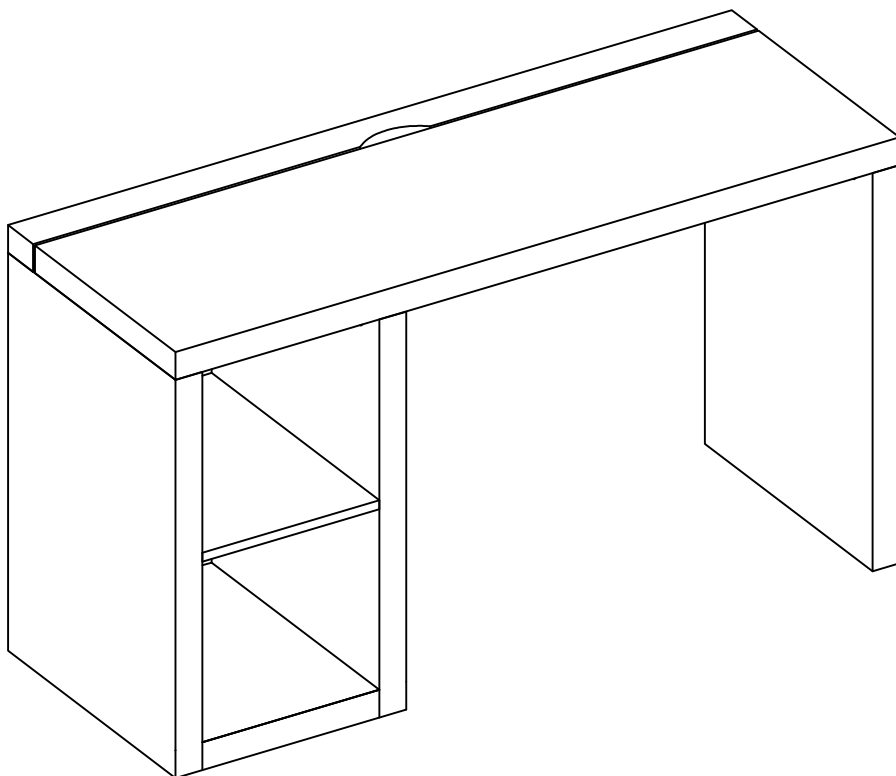


■ Assembly Instructions

8



9



US



001-877-644-9366
customerservice@aosom.com

CA



001-855-537-6088
customerservice@aosom.ca

UK



0044-800-240-4004
enquiries@mhstar.co.uk

DE



0049-(0)40-88307530
service@aosom.de

FR



0033-1-84166106
contact@aosom.fr

ES



0034-931294512
atencioncliente@aosom.es

IT



0039-0249471447
clienti@aosom.it