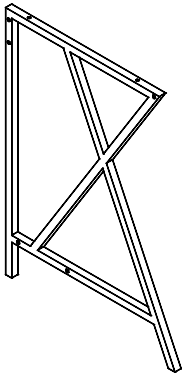


READ AND SAVE THIS INSTRUCTION FOR FUTURE USE

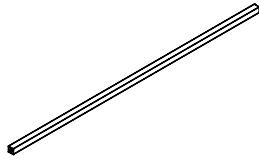
ASSEMBLY INSTRUCTION

PART LIST

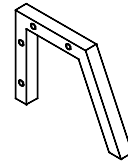
① x2



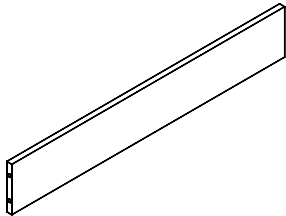
② x1



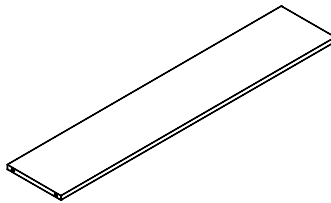
③ x2



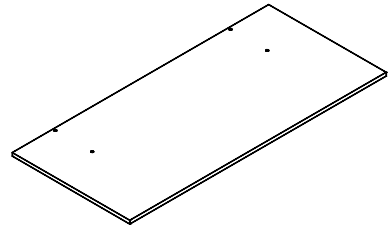
④ x2



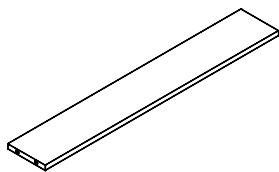
⑤ x1



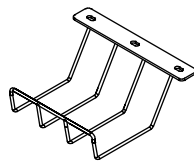
⑥ x1



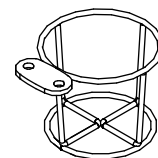
⑦ x1



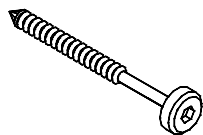
⑧ x1



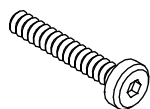
⑨ x1



A x16



B x2



C x8



D x4



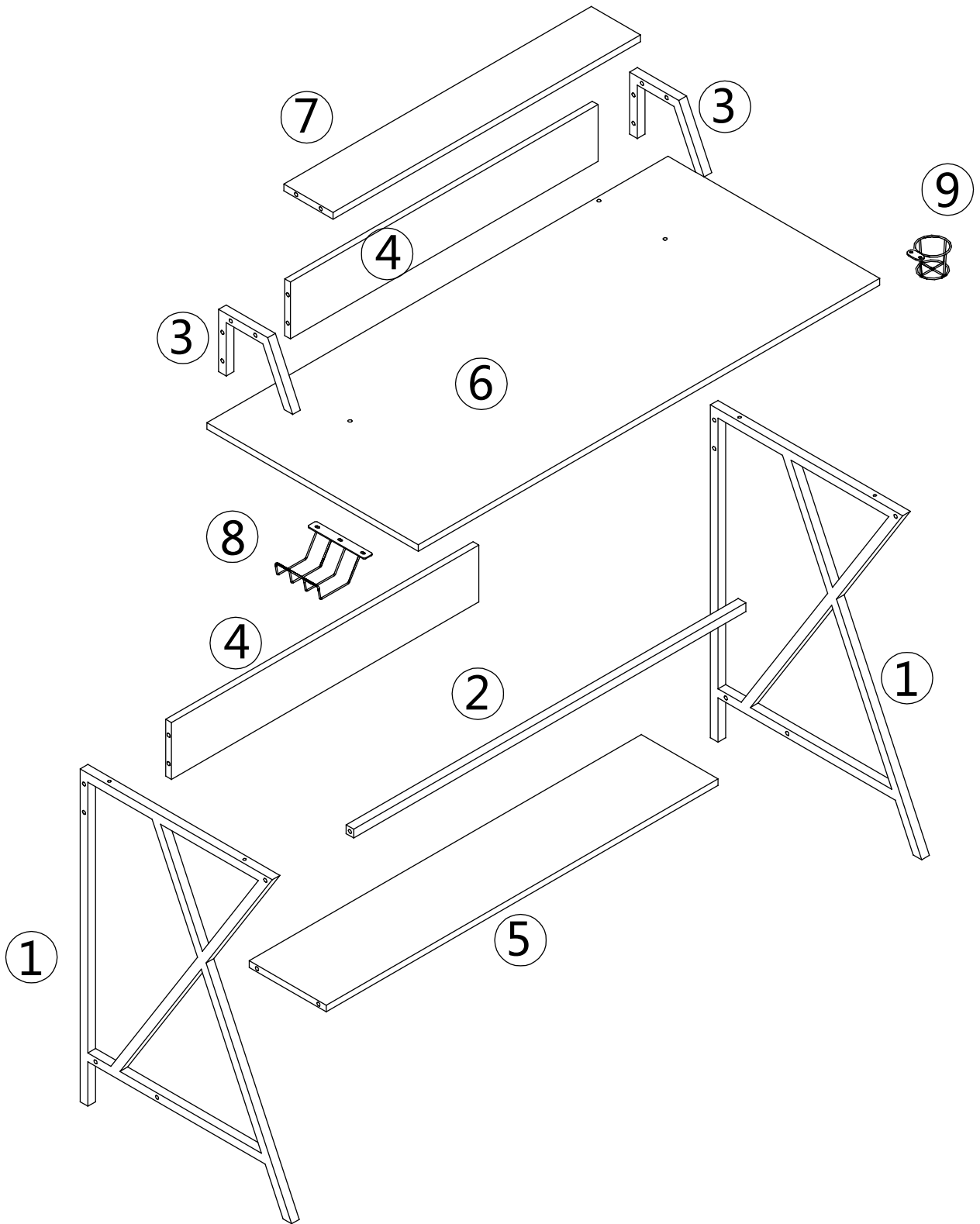
ST5*60

M6*40

M6*35

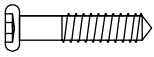
M6*12

**PART
LIST**



01

(A) x8

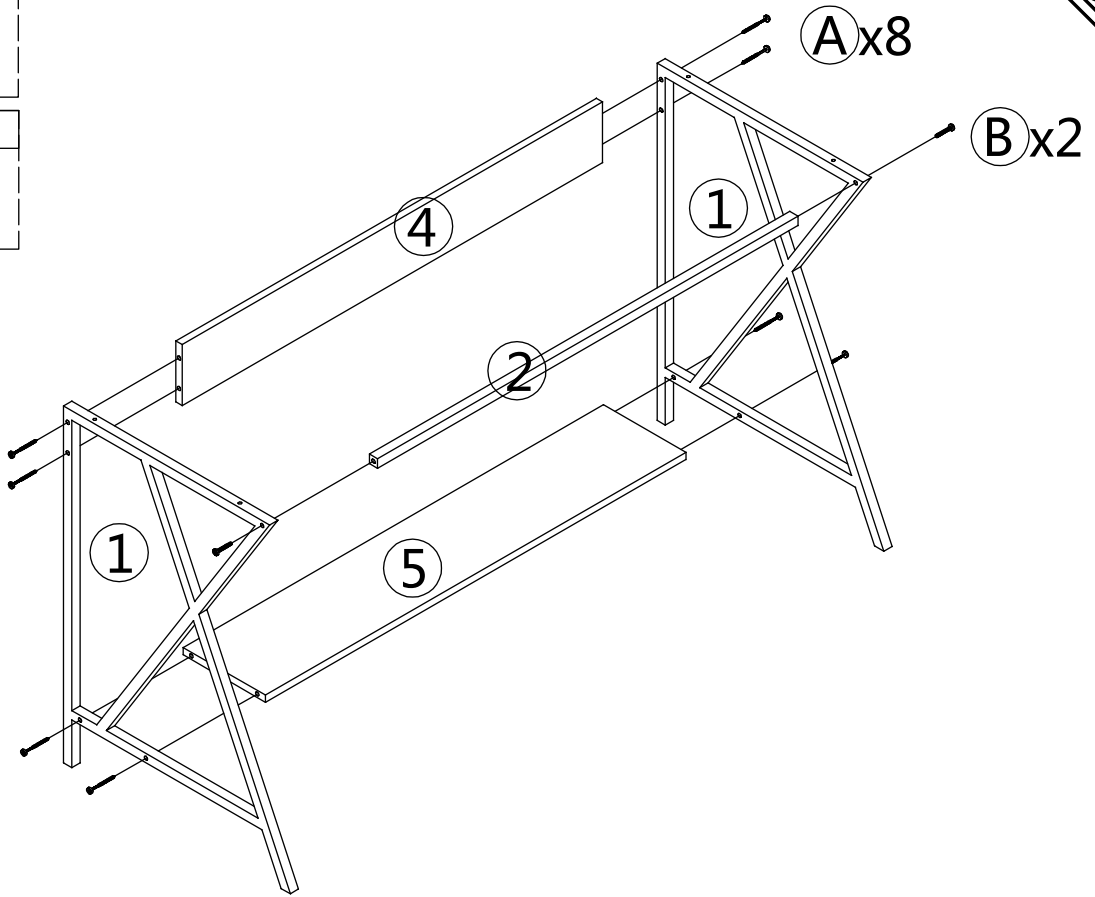


ST5*60

(B) x2

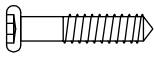


M6*40

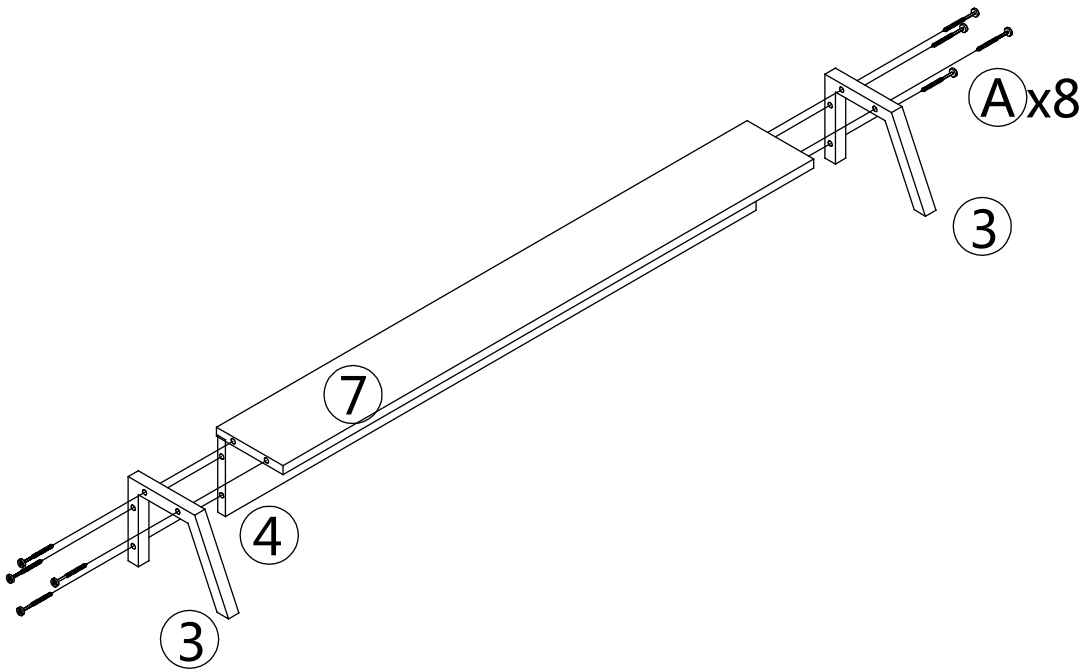


02

(A) x8



ST5*60

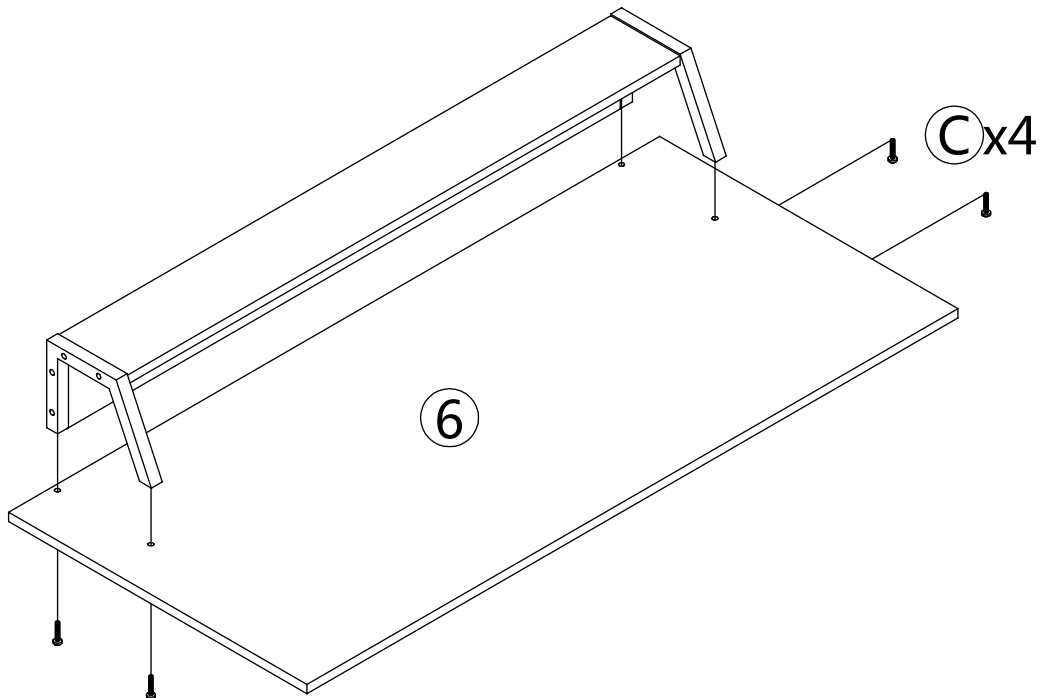


03

C x4



M6*35



04

C x4

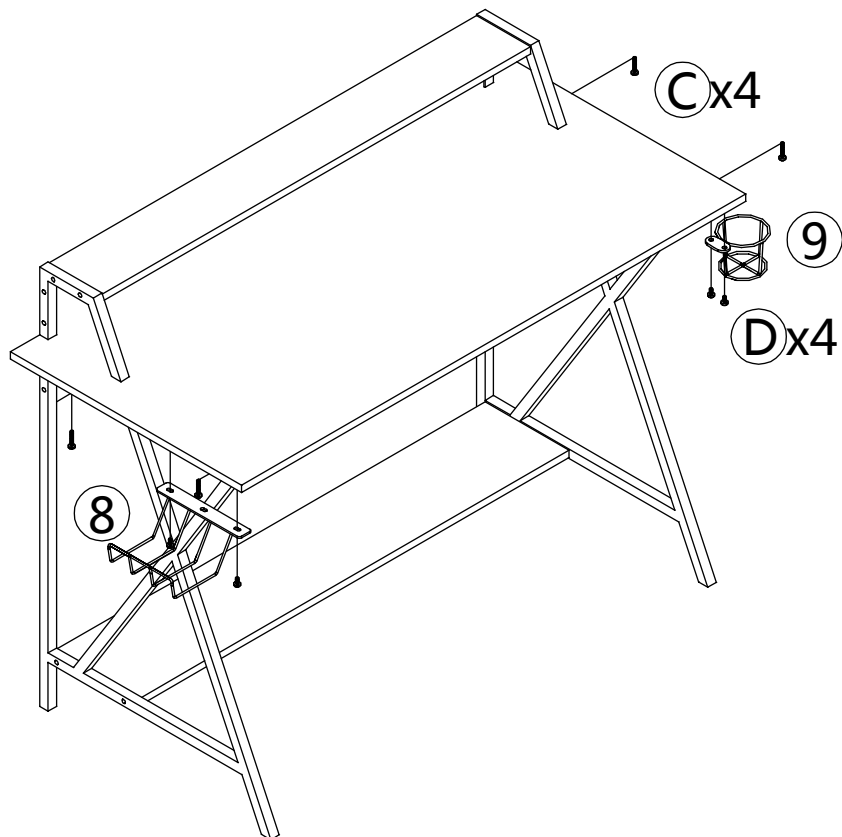


M6*35

D x4



M6*12



US



001-877-644-9366
customerservice@aosom.com

CA



001-855-537-6088
customerservice@aosom.ca

UK



0044-800-240-4004
enquiries@mhstar.co.uk

DE



0049-(0)40-88307530
service@aosom.de

FR



0033-1-84166106
contact@aosom.fr

ES



0034-931294512
atencioncliente@aosom.es

IT



0039-0249471447
clienti@aosom.it