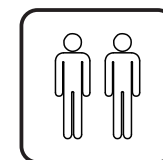
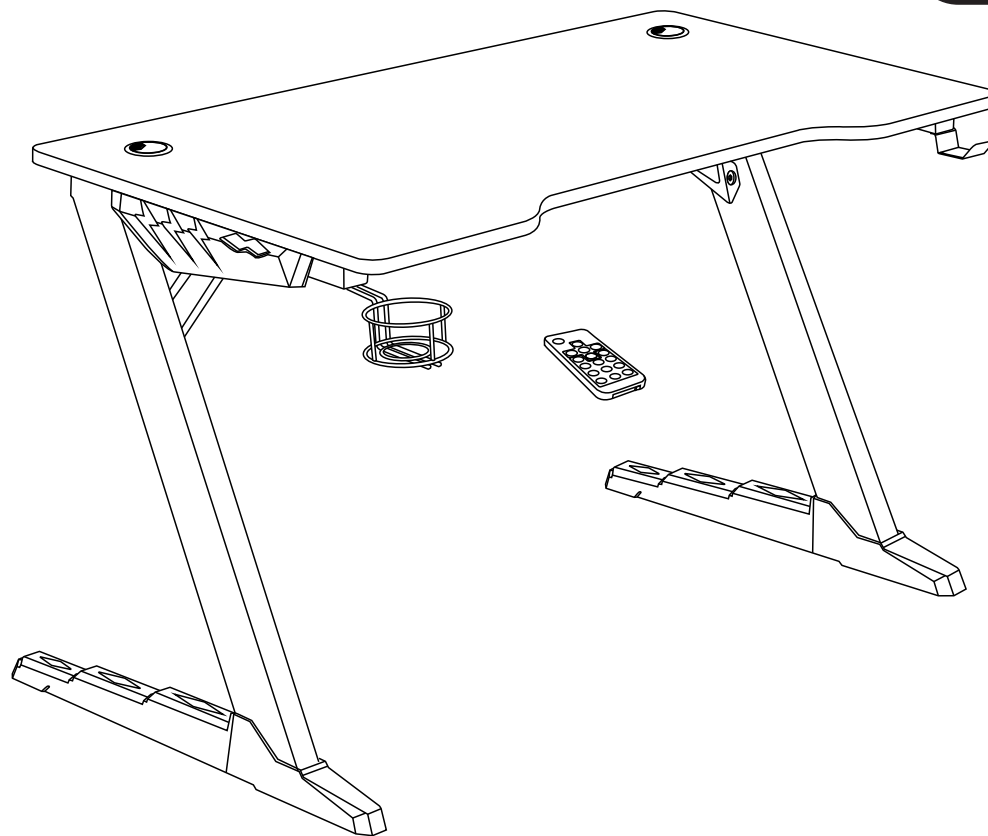




INcfb051\_GL

836-452\_836-452V01

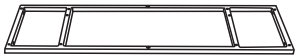



IMPORTANT, RETAIN FOR FUTURE REFERENCE: READ CAREFULLY

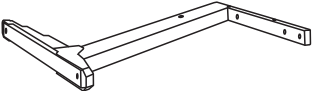
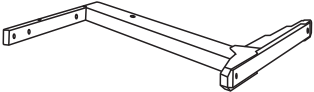



# ASSEMBLY INSTRUCTION

# PACKING DETAILS: TOTAL 2 BOXES





## BOX-1/2

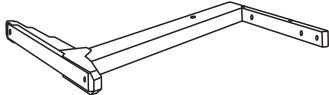
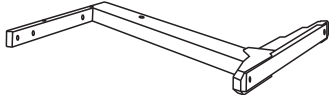
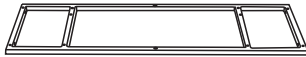

















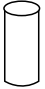
NO.	PARTS	QTY
3		1
5		1

## BOX-2/2

NO.	PARTS	QTY
1		1
2		1
4		2
6		1
7		1

## BOX-2/2

NO.	PARTS	QTY
8		1
9		1
10		1
	 Hardware Kit	1

<b>1</b>		x1	<b>2</b>		x1	<b>3</b>		x1
<b>4</b>		x2	<b>5</b>		x1	<b>6</b>		x1
<b>7</b>		x1	<b>8</b>		x1	<b>9</b>		x1
<b>10</b>		x1	<b>A</b>	 M6xΦ16x1.5mm	x10	<b>B</b>	 M6x35mm	x6
<b>C</b>		x1	<b>D</b>	 M6x13mm	x4	<b>E</b>	 M6x55mm	x4
<b>F</b>	 M8x38mm	x4	<b>G</b>	 M6x50mm	x4	<b>H</b>	 M6xΦ25x2.0mm	x4
<b>I</b>	 M6	x1	<b>J</b>	 M6x25mm	x2	<b>K</b>		x1

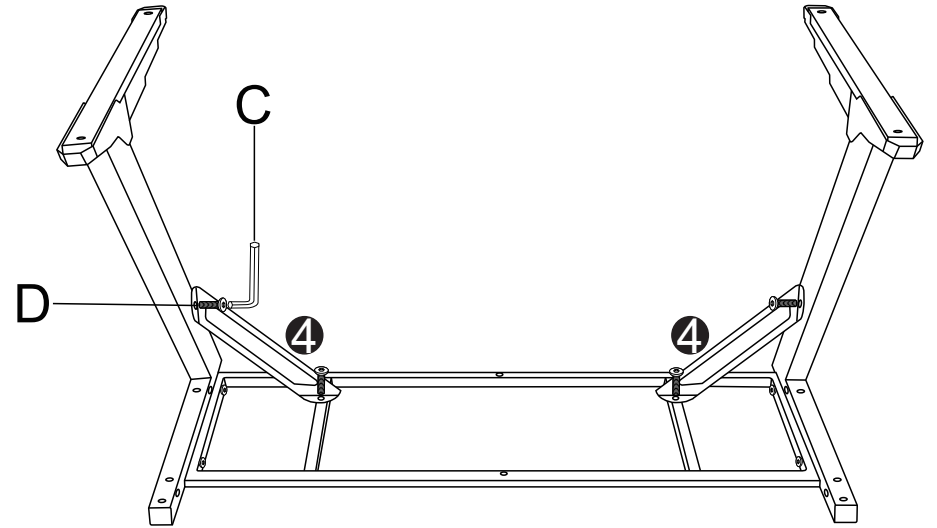
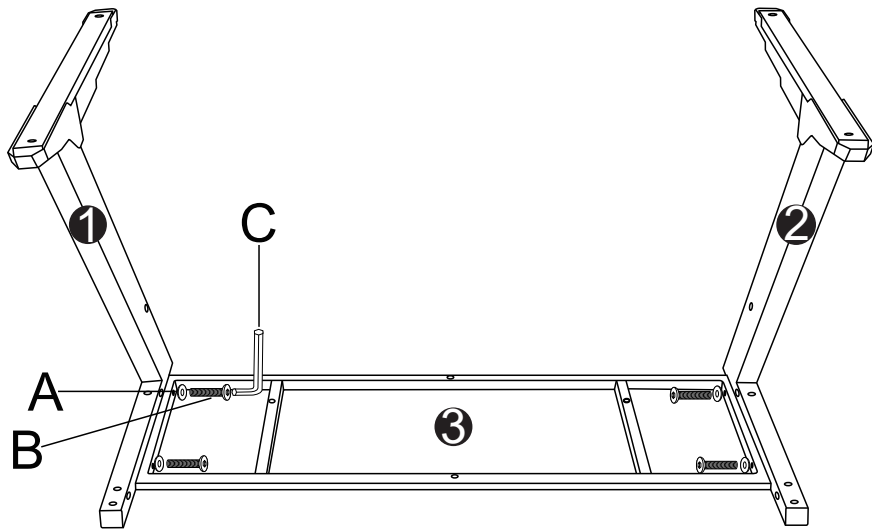
**A** x 4

**B** x 4

**01**

**D** x 4

**02**



**A** x 6

**B** x 2

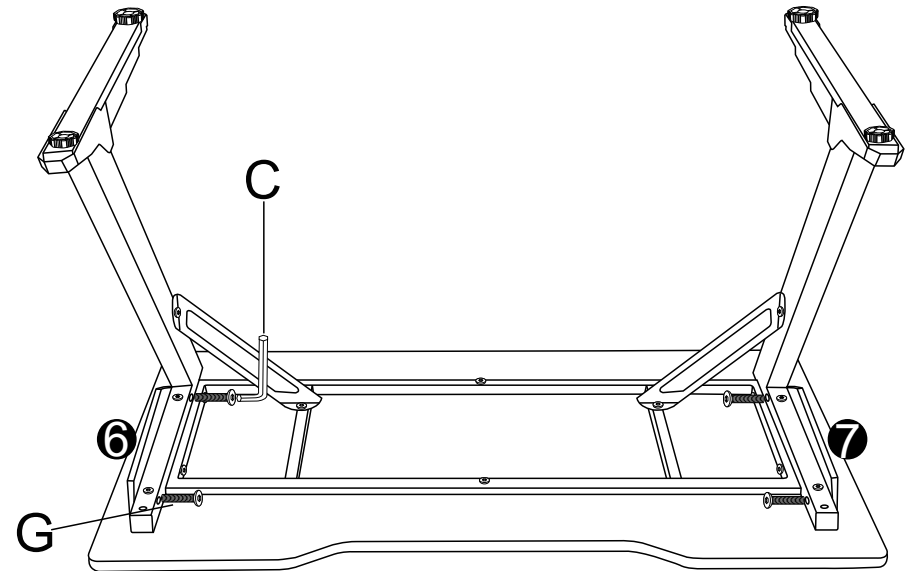
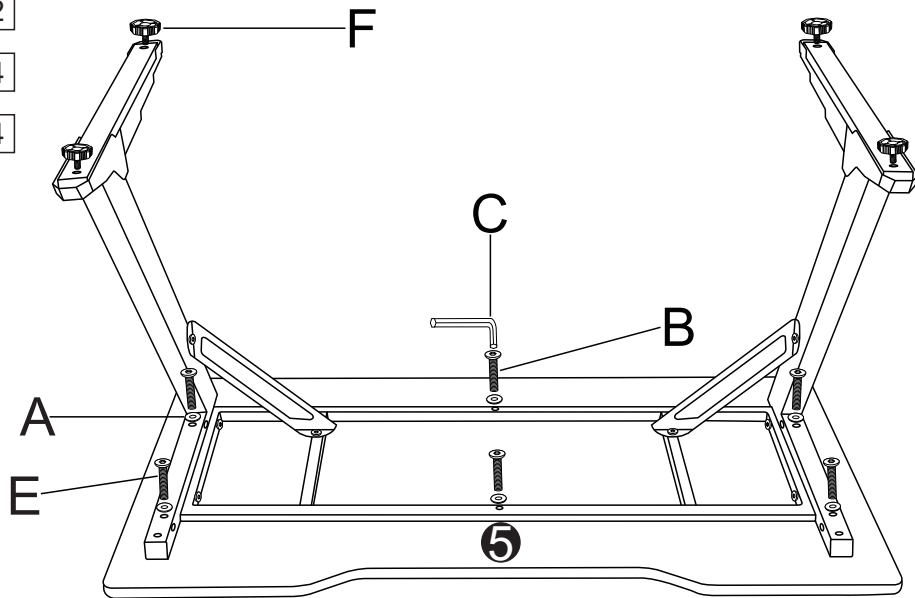
**E** x 4

**F** x 4

**03**

**G** x 4

**04**



H x 2

I x 1

J x 1

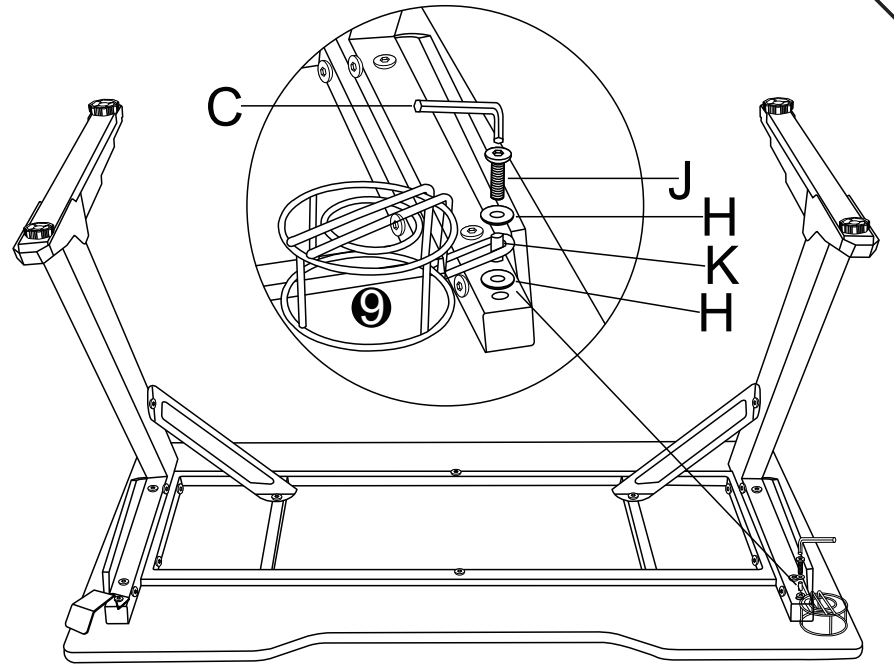
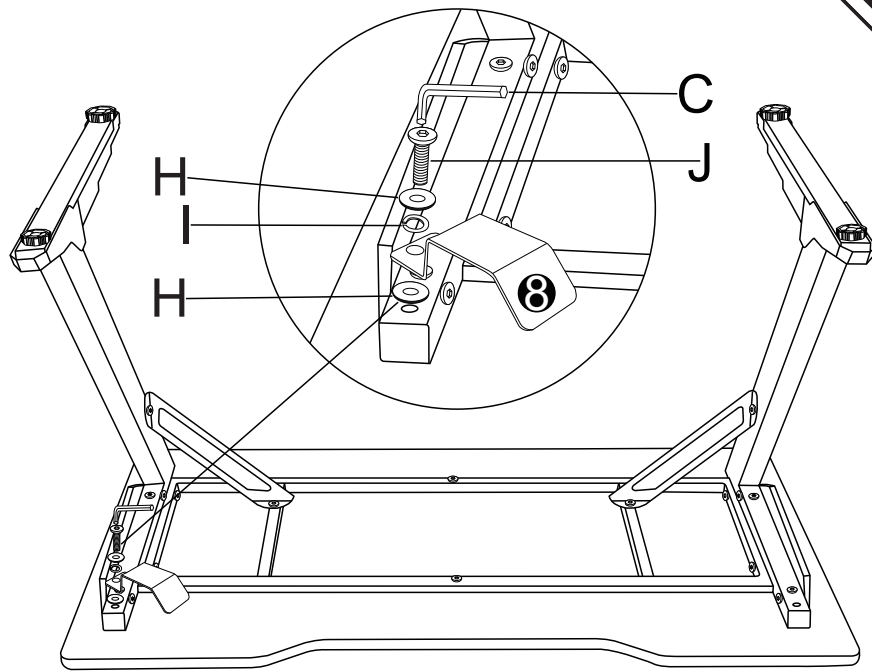
05

H x 2

J x 1

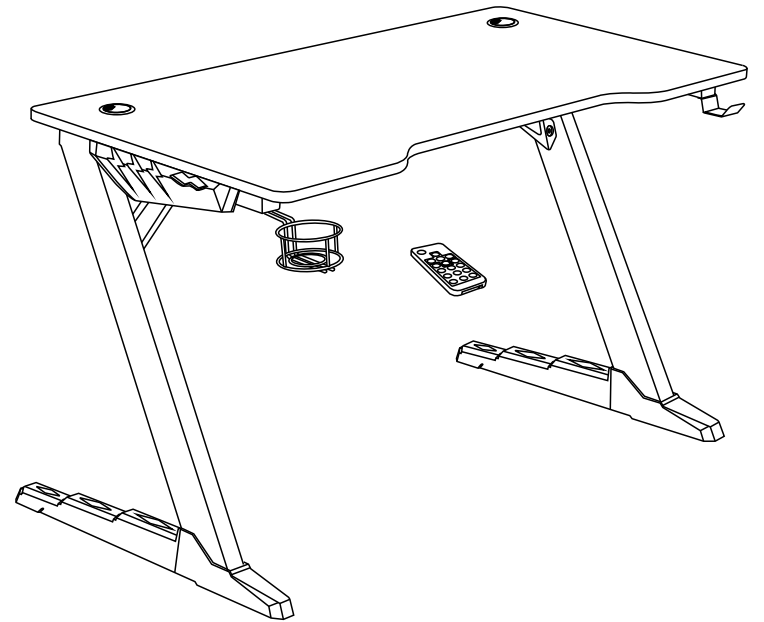
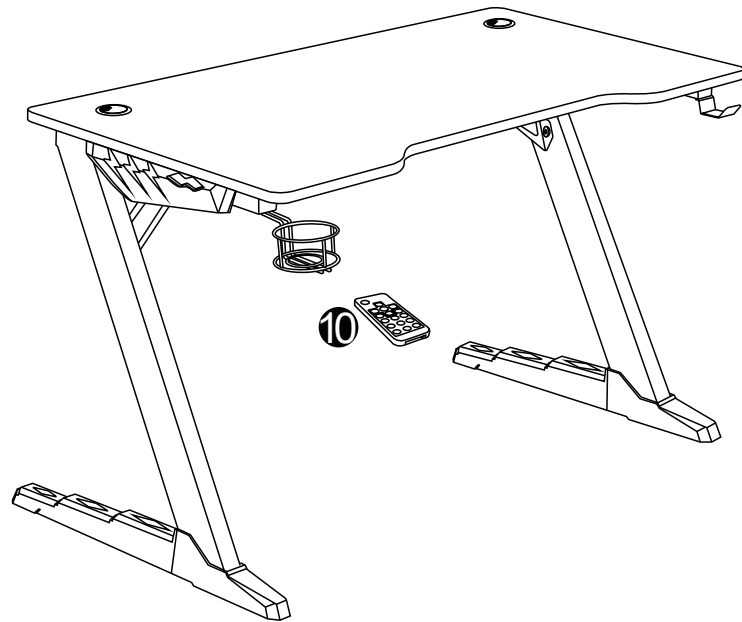
K x 1

06



07

Done





001-877-644-9366  
customerservice@aosom.com



001-855-537-6088  
customerservice@aosom.ca



0044-800-240-4004  
enquiries@mhstar.co.uk



0049-(0)40-88307530  
service@aosom.de



0033-1-84166106  
contact@aosom.fr



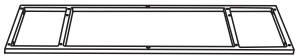

0034-931294512  
atencioncliente@aosom.es



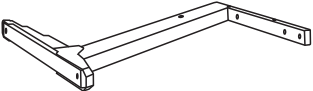
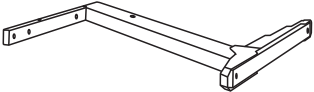



0039-0249471447  
clienti@aosom.it

# PACKING DETAILS: TOTAL 2 BOXES





## BOX-1/2

NO.	PARTS	QTY
3		1
5		1

## BOX-2/2

NO.	PARTS	QTY
1		1
2		1
4		2
6		1
7		1

## BOX-2/2

NO.	PARTS	QTY
8		1
9		1
10		1
	 Hardware Kit	1