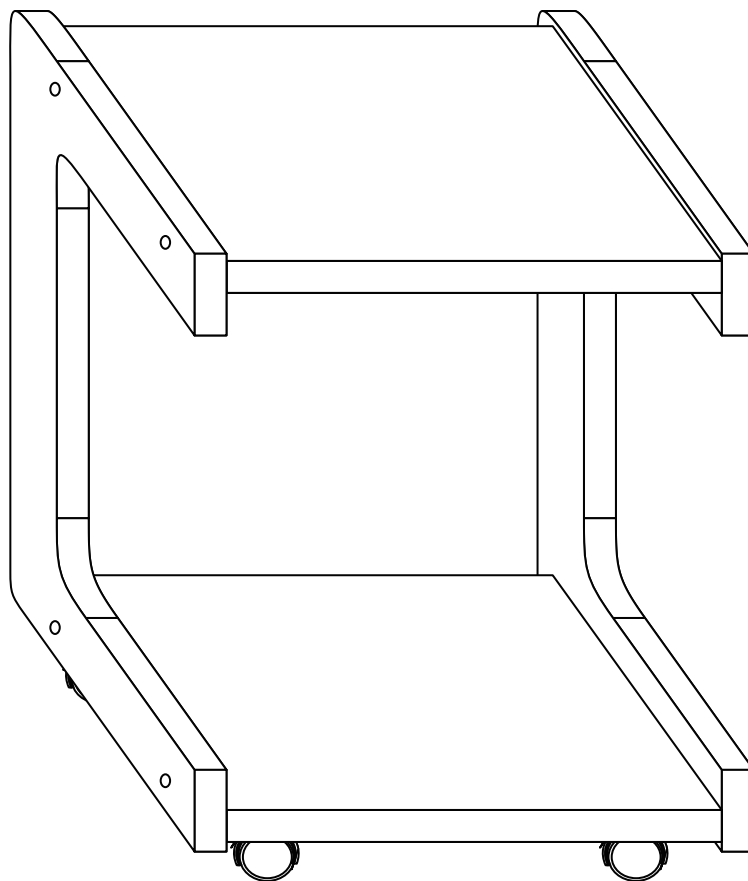




INcfb074V01_GL

838-206



IMPORTANT, RETAIN FOR FUTURE REFERENCE: READ CAREFULLY

ASSEMBLY INSTRUCTION

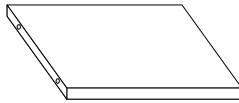
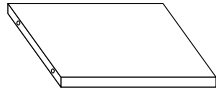
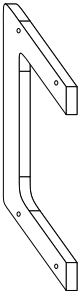
PARTS

HARDWARE

① x 2

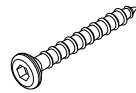
② x 1

③ x 1



A x 8

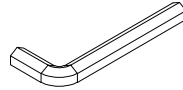
+1 (spare)
M5x45mm



B x 4

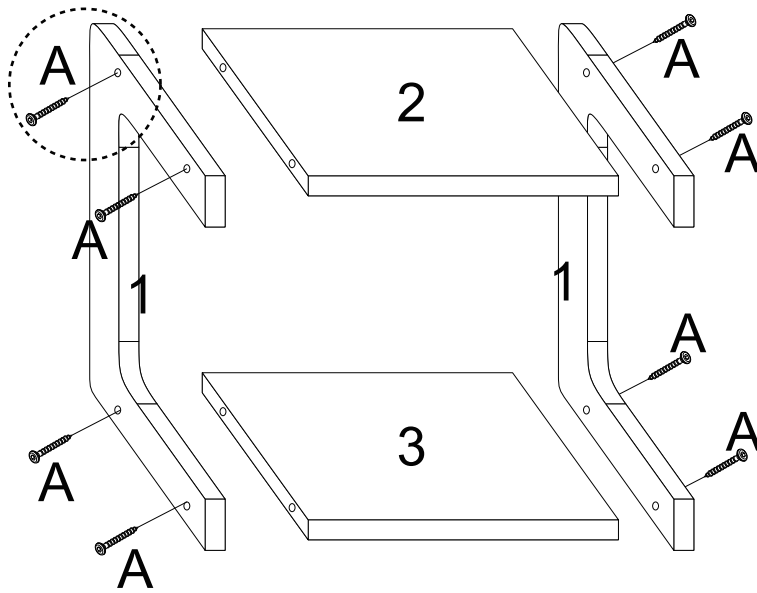
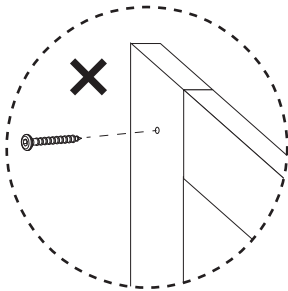
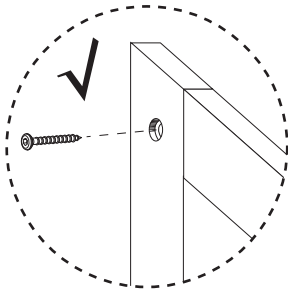


C x 1



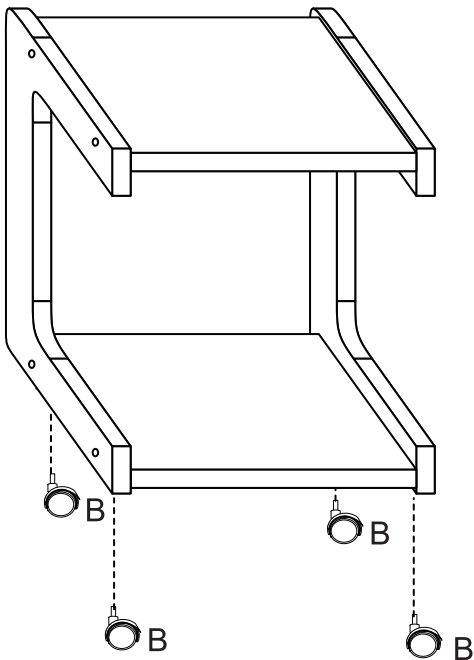
A x 8

01



B x 4

02



Done

