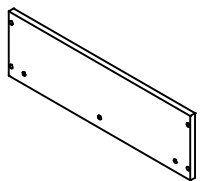
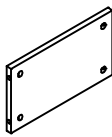
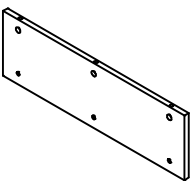
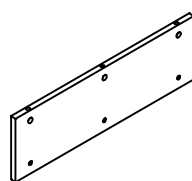
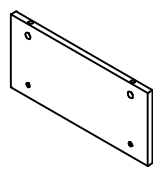
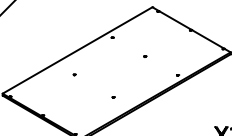
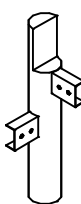
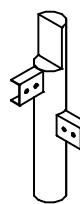
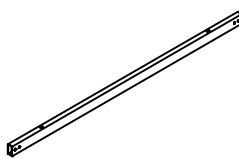
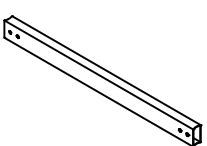
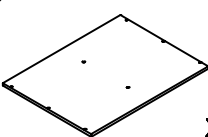





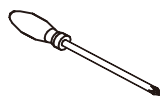
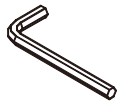
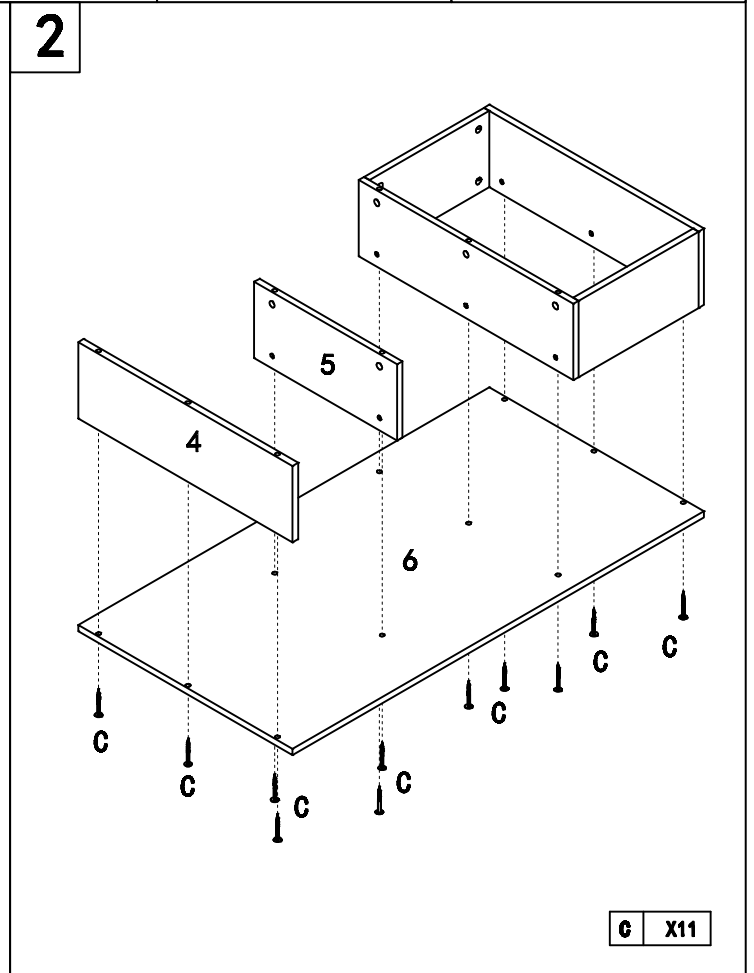
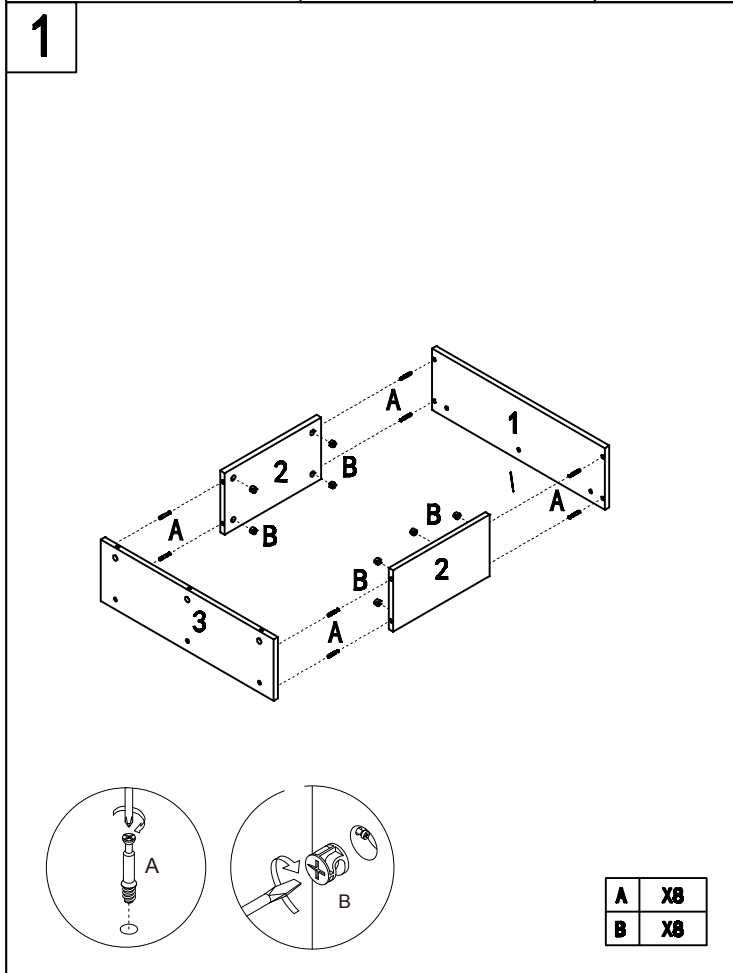


READ AND SAVE THIS INSTRUCTION FOR FUTURE USE

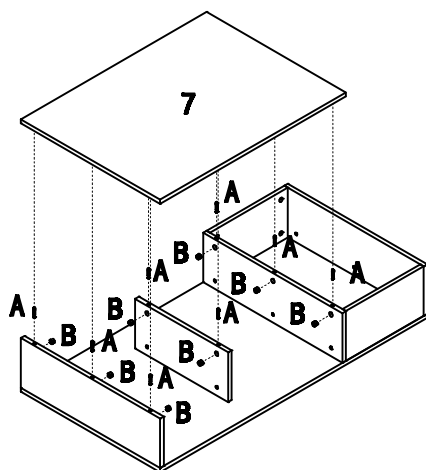
ASSEMBLY INSTRUCTION

Attention: Do not tighten the screws until all of them are in right positions

<p>1</p>  <p>X1</p>	<p>2</p>  <p>X2</p>	<p>3</p>  <p>X1</p>	<p>4</p>  <p>X1</p>	<p>5</p>  <p>X1</p>
<p>6</p>  <p>X1</p>	<p>8</p>  <p>M4X14 X2</p>	<p>9</p>  <p>X2</p>	<p>10</p>  <p>X2</p>	<p>11</p>  <p>X2</p>
<p>7</p>  <p>X1</p>	<p>A</p>  <p>X16</p>	<p>C</p>  <p>M4X14 X2</p>	<p>D</p>  <p>M6X50 X4</p>	<p>E</p>  <p>M6X10 X16</p>
<p>B</p>  <p>X16</p>	<p>M5X50 X11</p>	<p>M6X50 X4</p>	<p>M6X10 X16</p>	 X1  X1

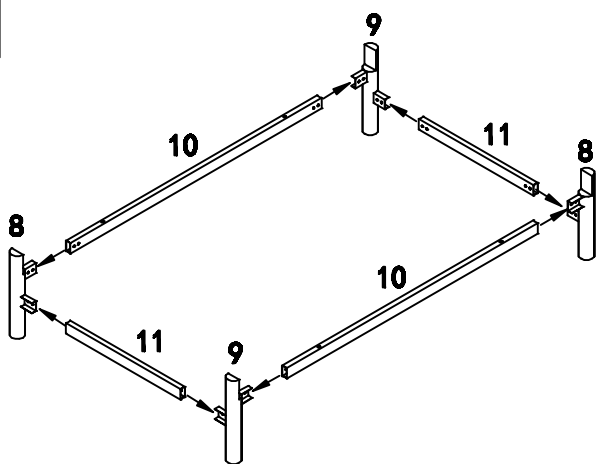


3

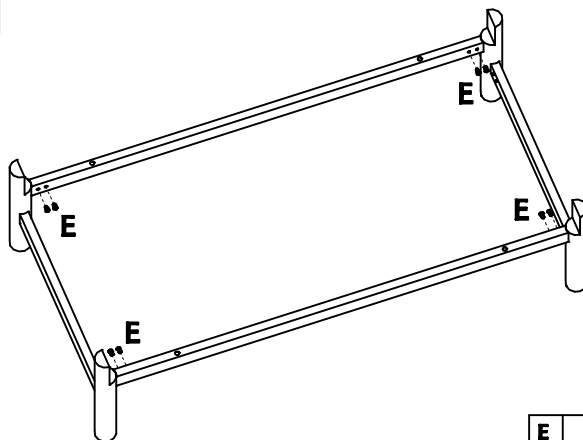


A	X8
B	X8

4

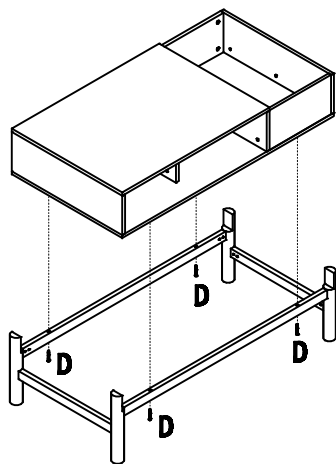


5

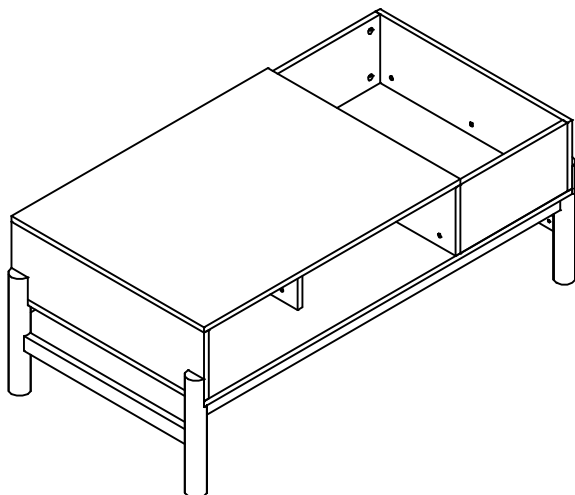


E	X16
---	-----

6



D	X4
---	----



US



001-877-644-9366
customerservice@aosom.com

CA



001-855-537-6088
customerservice@aosom.ca

UK



0044-800-240-4004
enquiries@mhstar.co.uk

DE



0049-(0)40-88307530
service@aosom.de

FR



0033-1-84166106
contact@aosom.fr

ES



0034-931294512
atencioncliente@aosom.es

IT



0039-0249471447
clienti@aosom.it