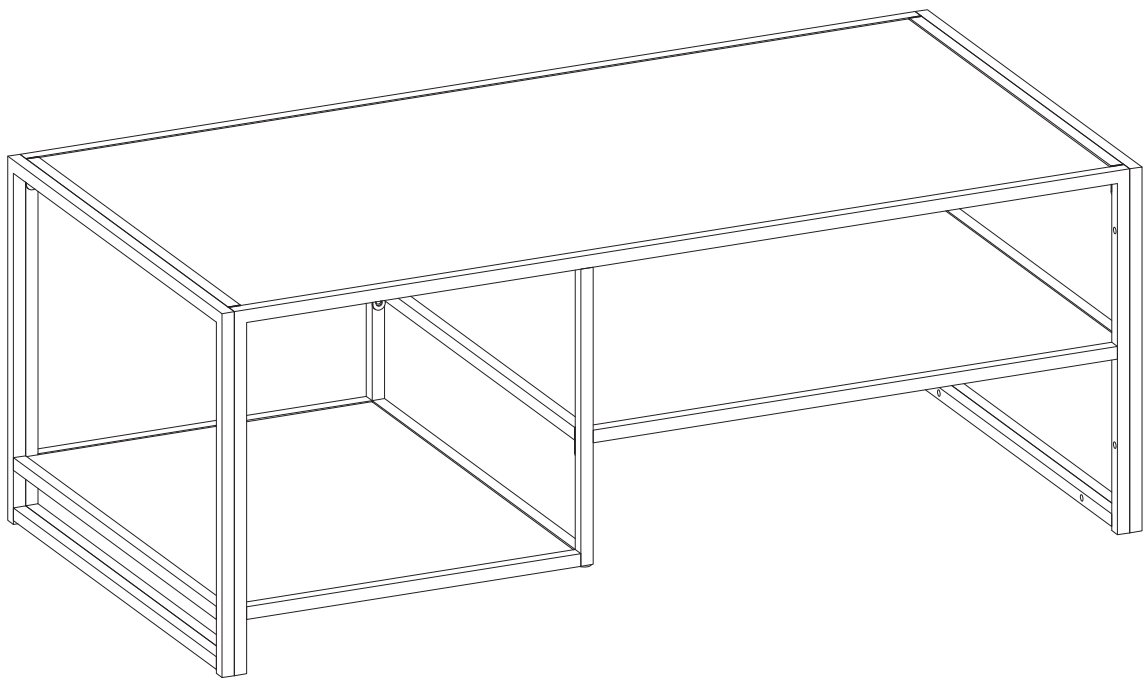




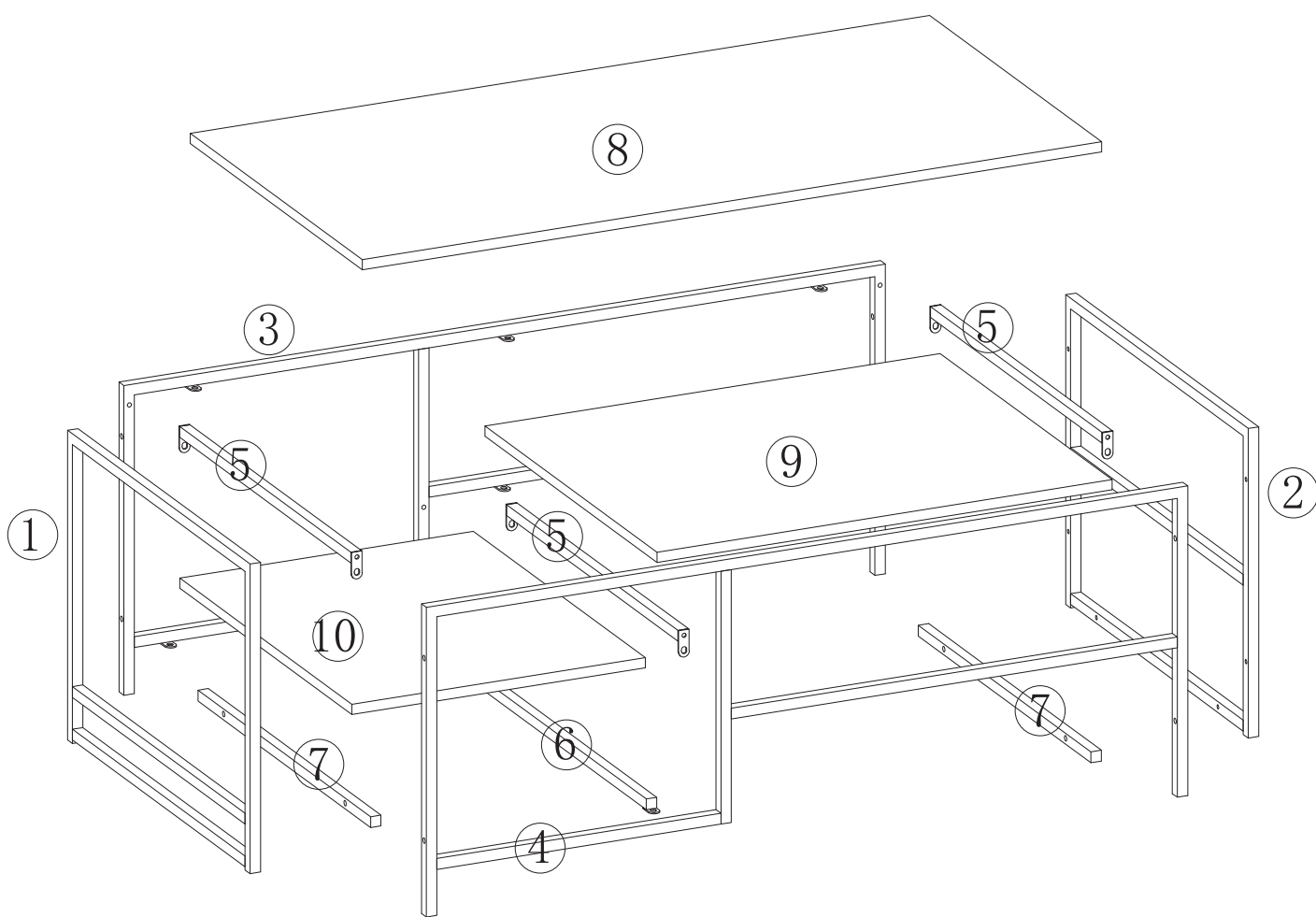
INcga158_GL

839-242

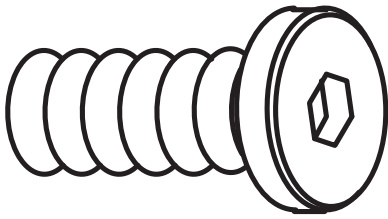


IMPORTANT, RETAIN FOR FUTURE REFERENCE: READ CAREFULLY

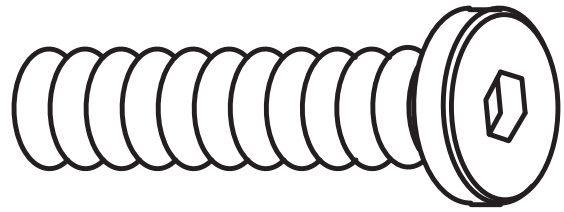
ASSEMBLY & INSTRUCTION MANUAL



A x20
M6*12
+1(spare)



B x14
M6*25
+1(spare)

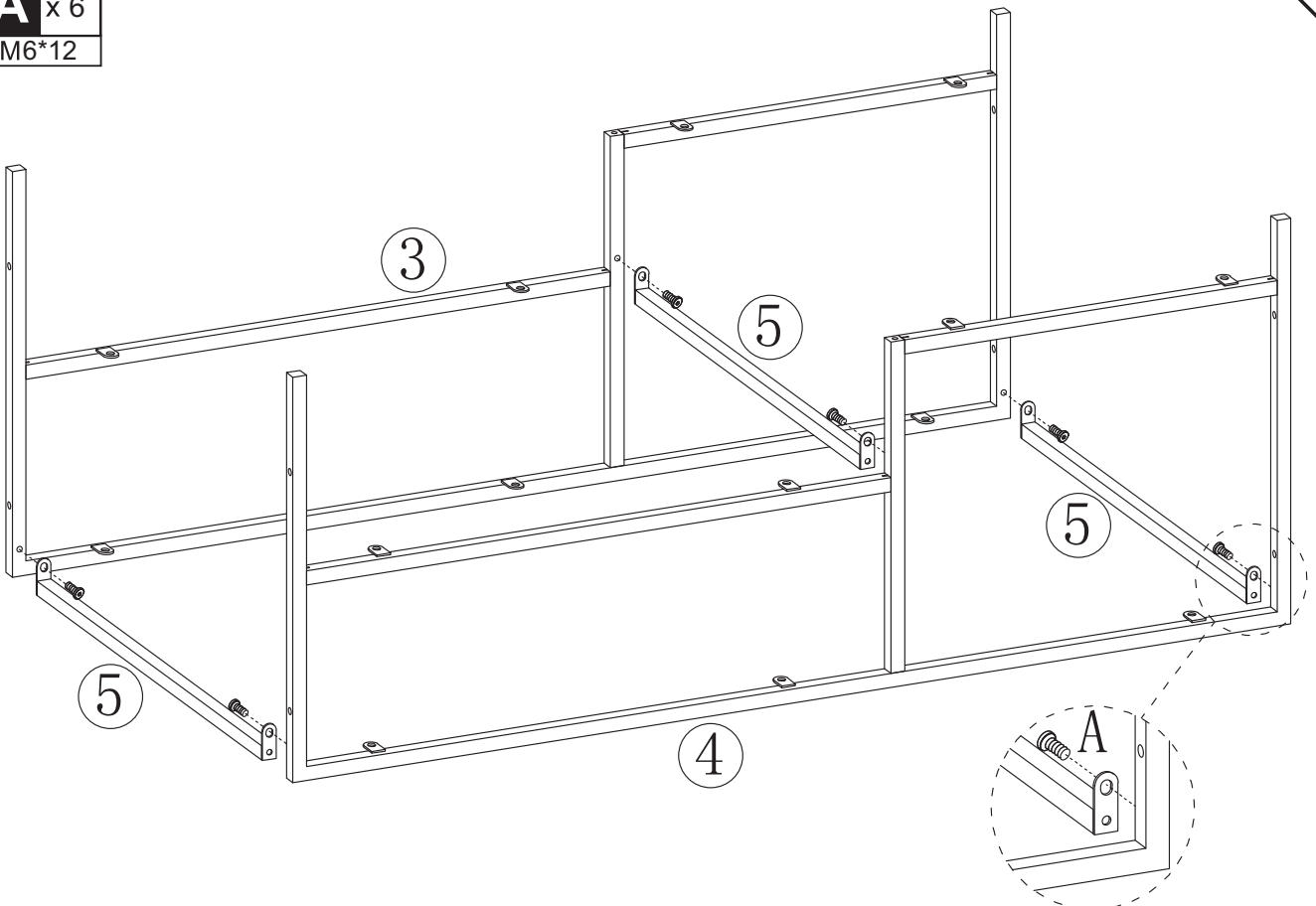


C x 1
M4

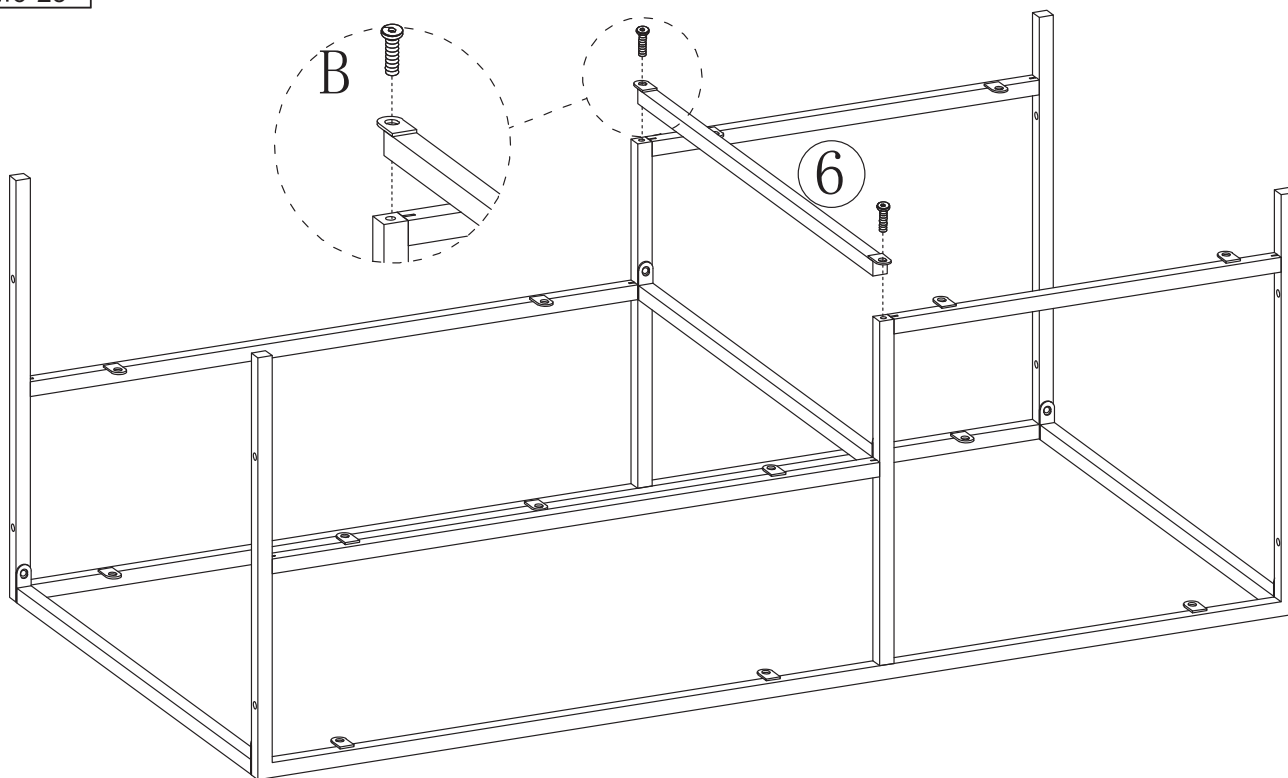


A x 6
M6*12

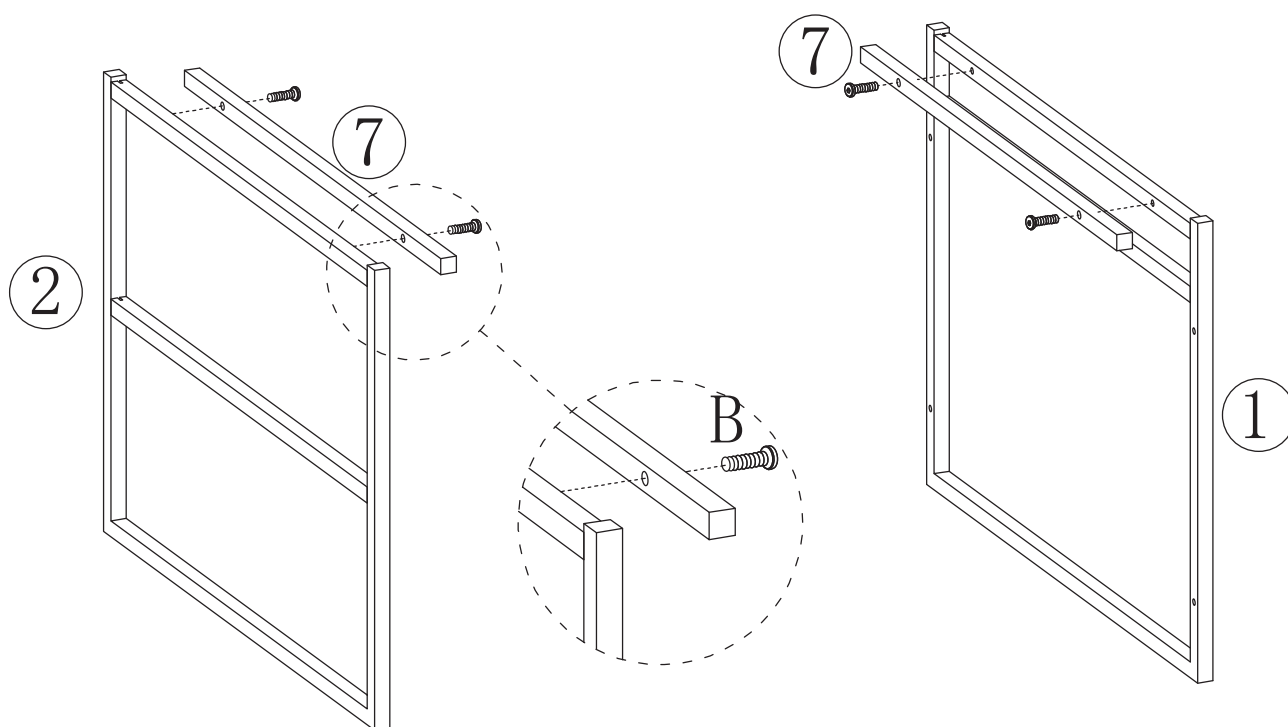
01



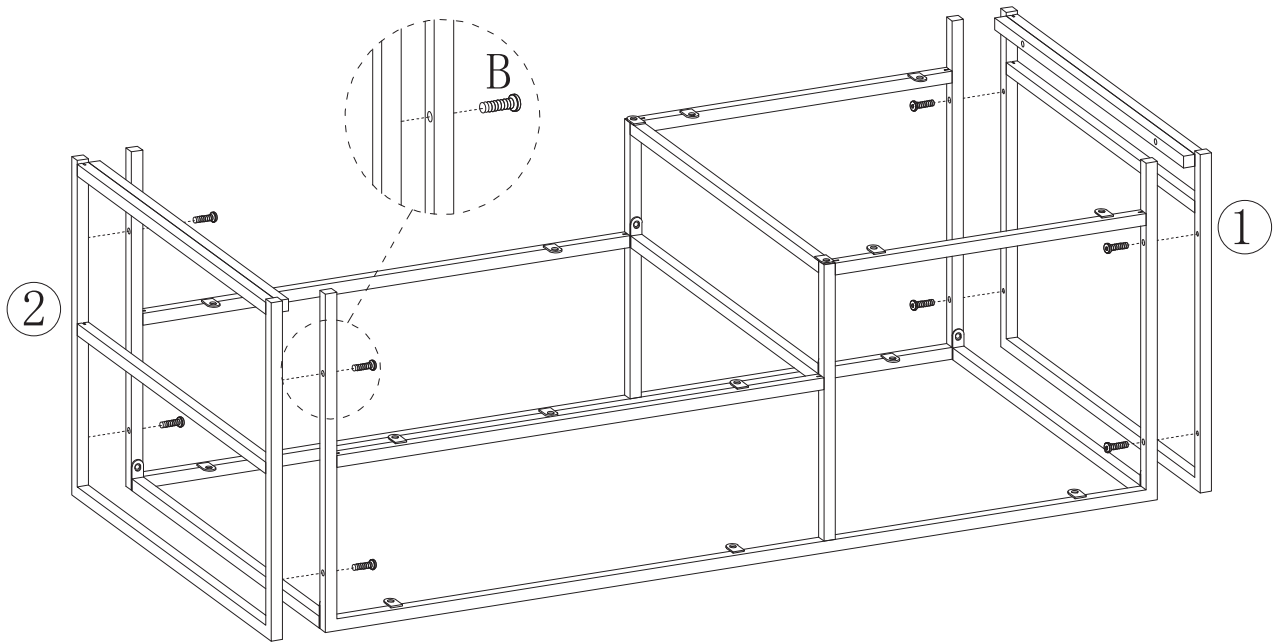
B x 2
M6*25



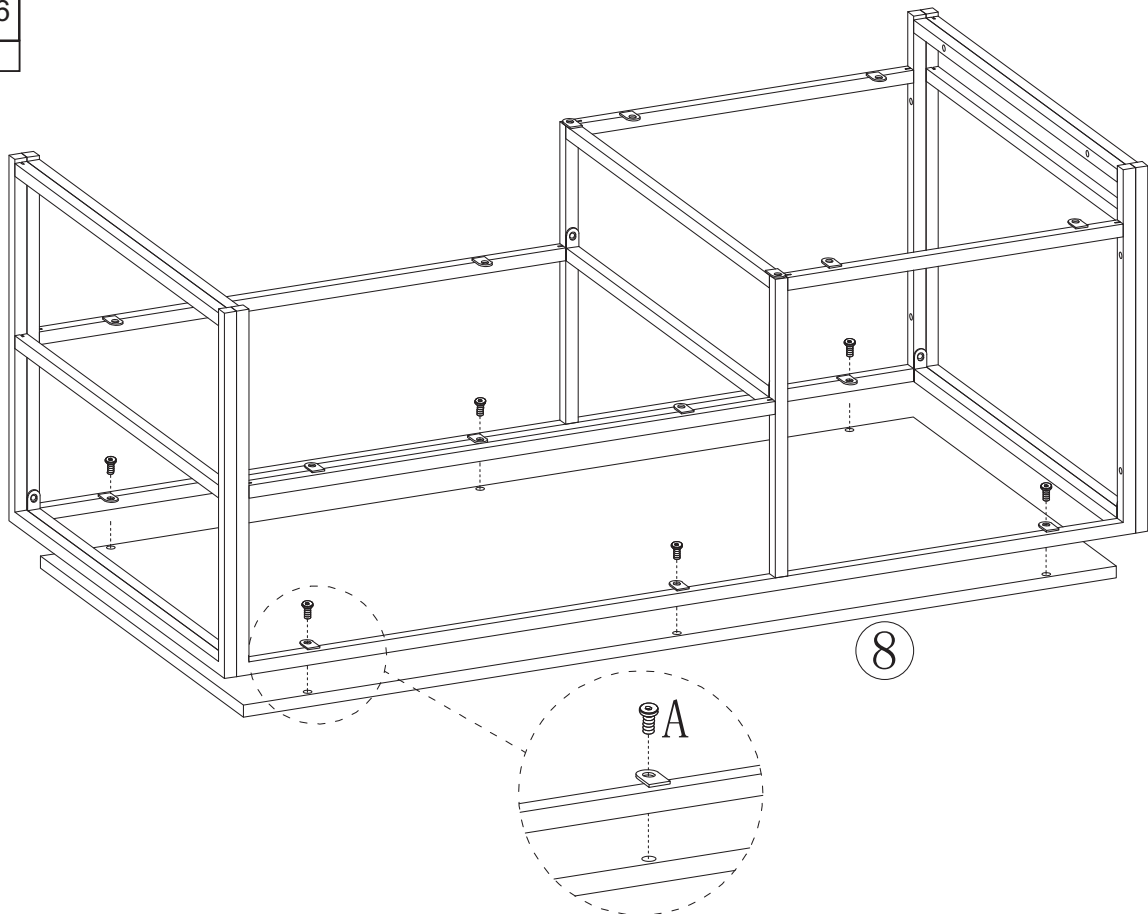
B x 4
M6*25



B x 8
M6*25



A x 6
M6*12



A x 8
M6*12

