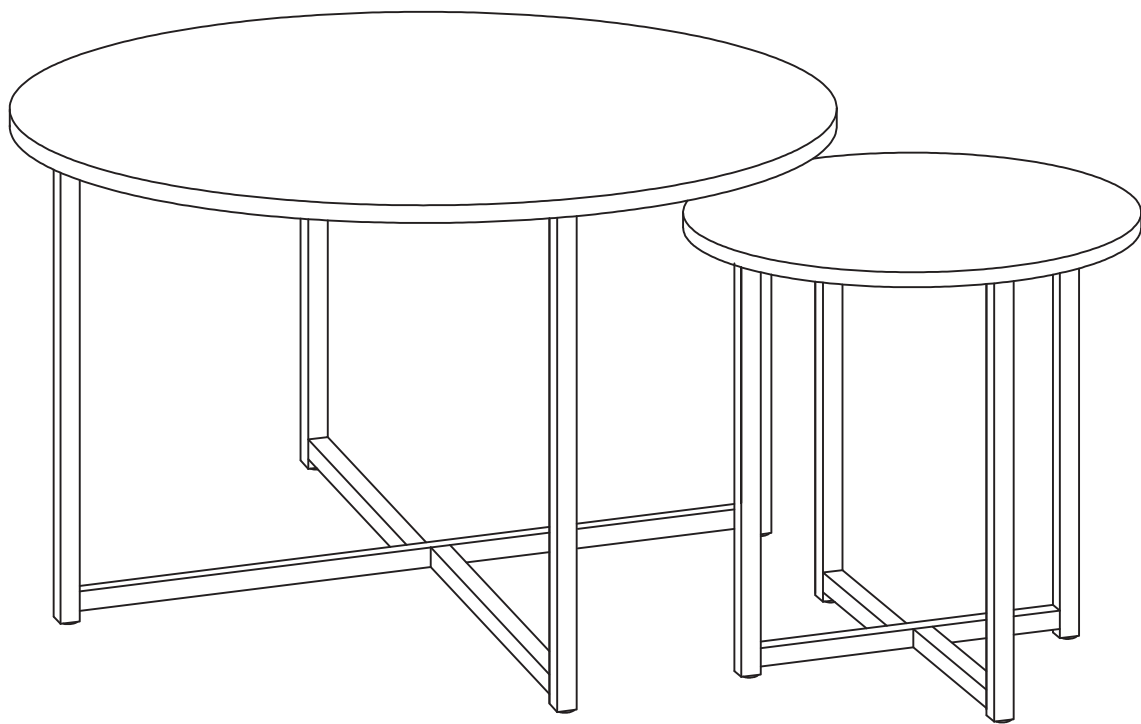




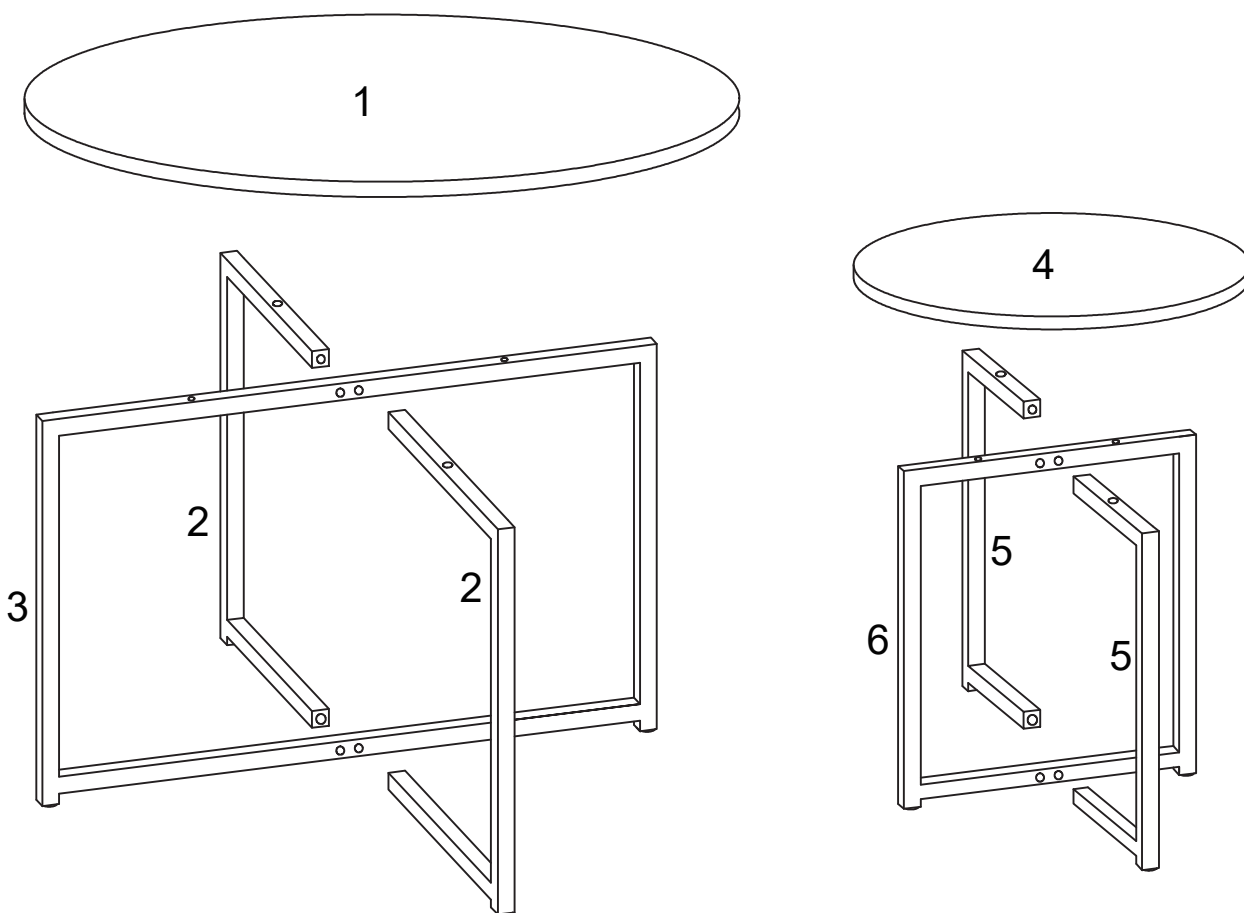
INcga168_GL

839-151

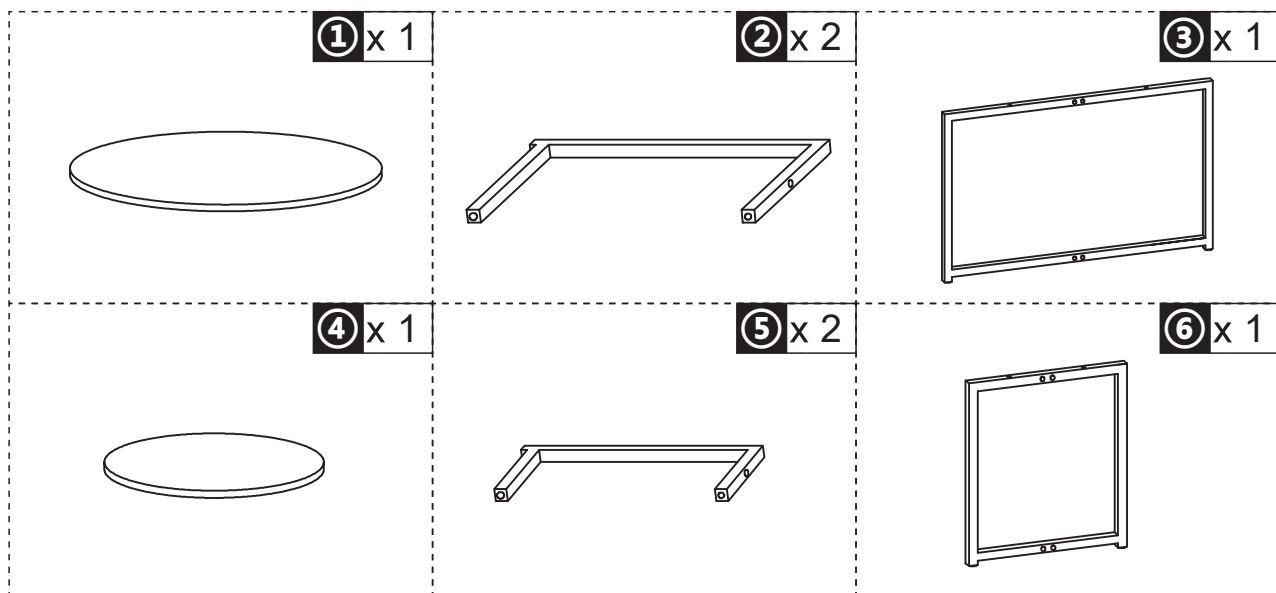


IMPORTANT, RETAIN FOR FUTURE REFERENCE: READ CAREFULLY

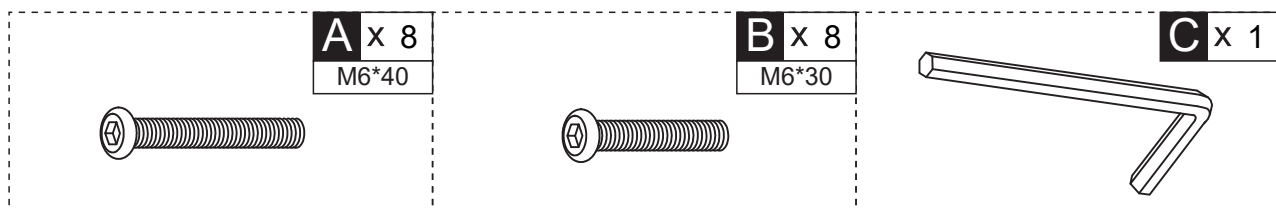
ASSEMBLY INSTRUCTION



PARTS



HARDWARE



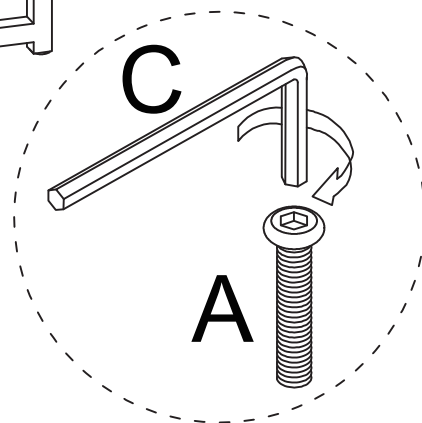
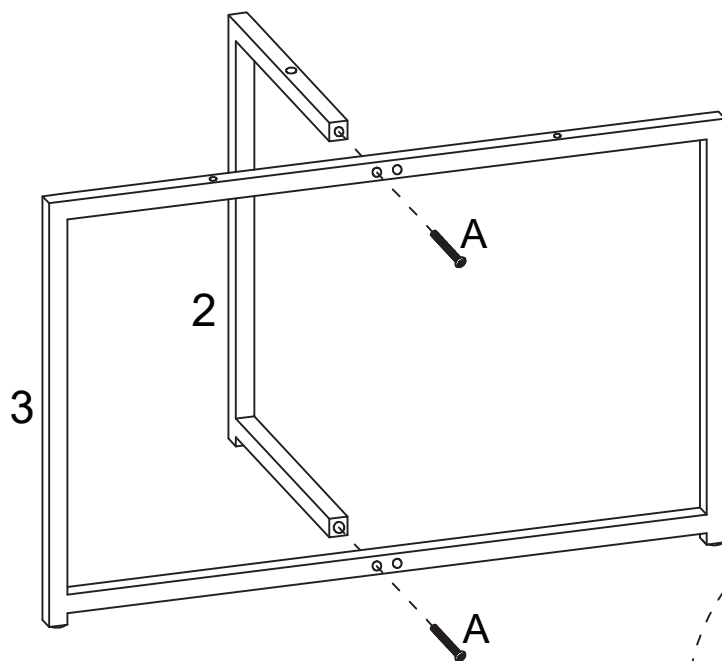
01



A x 2



C x 1



02



A x 2

