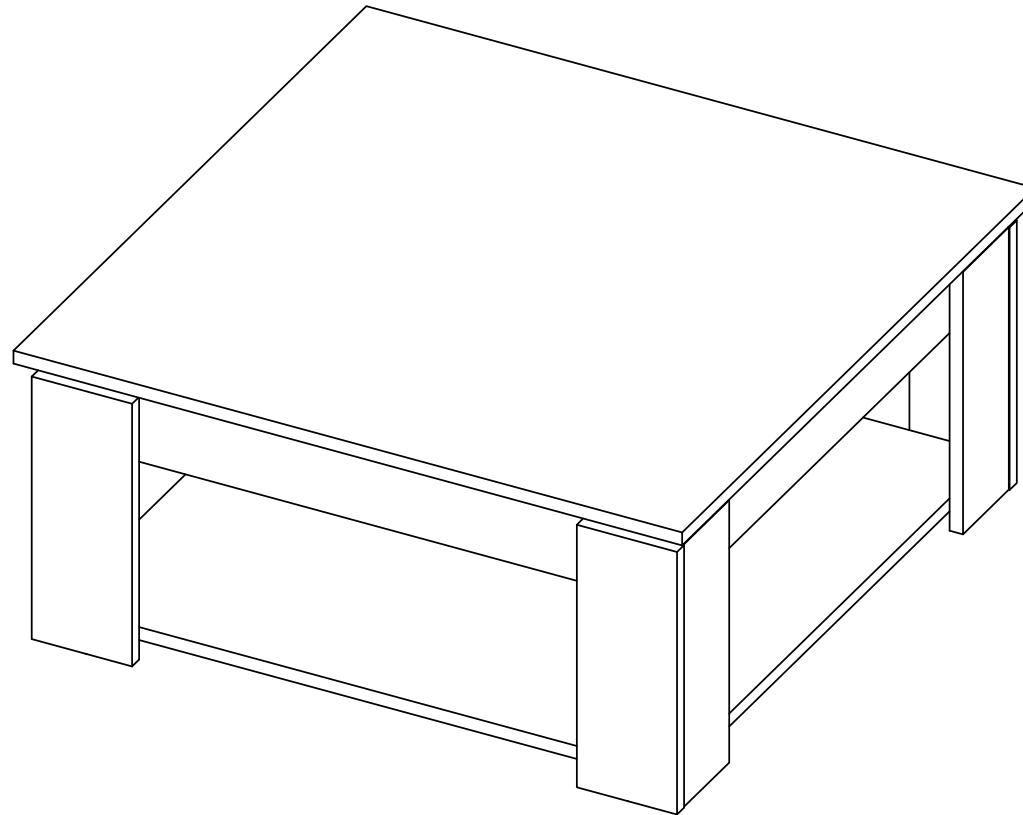
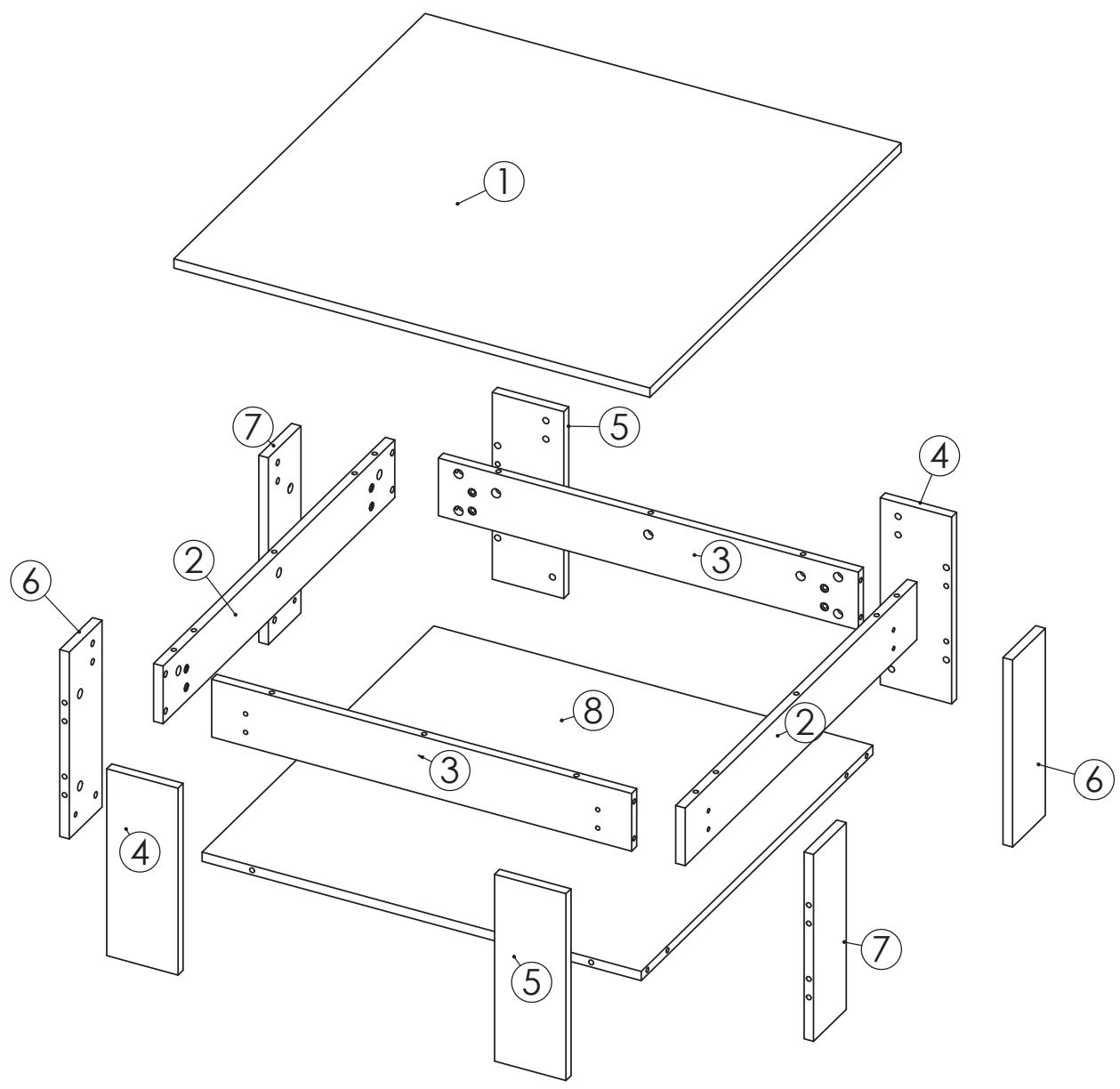





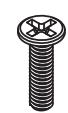





833-557



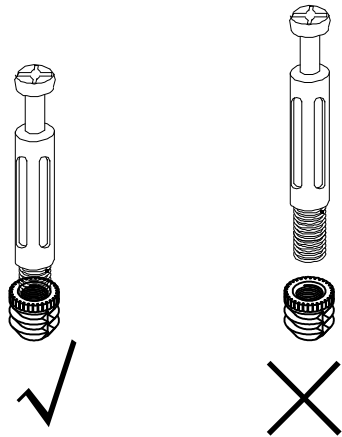


NO.	L	W	H	QTY.
1	800	800	16	1
2	738	100	16	2
3	706	100	16	2
4	324	120	16	2
5	324	120	16	2
6	324	104	16	2
7	324	104	16	2
8	738	738	16	1

 A-36+2 φ8*40	 B-36+2 M6*25
 C-16+2 φ3.5*30	 D-16
 E-1	 F-1
 G-8	

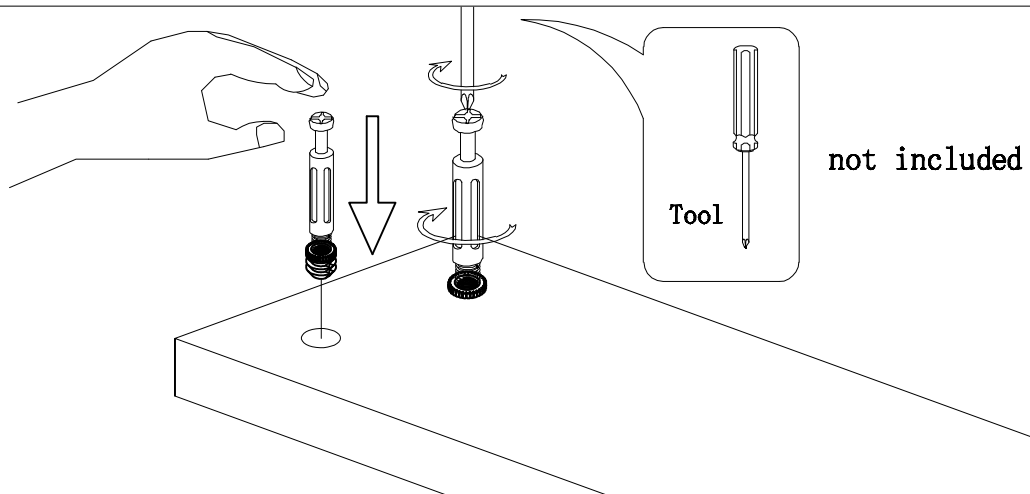
"A" Hardware installation example

I

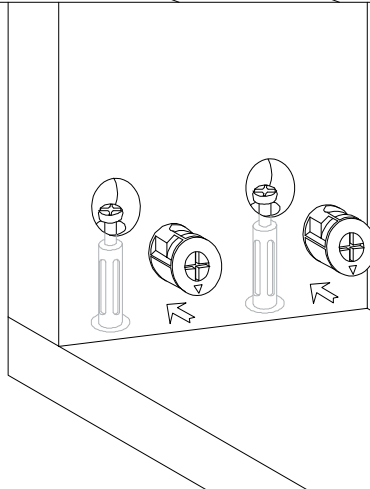


This part cannot be separated, please install in strict accordance with the assembly requirements

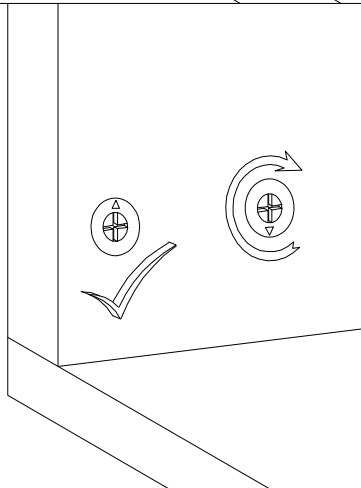
II



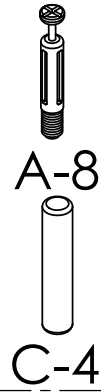
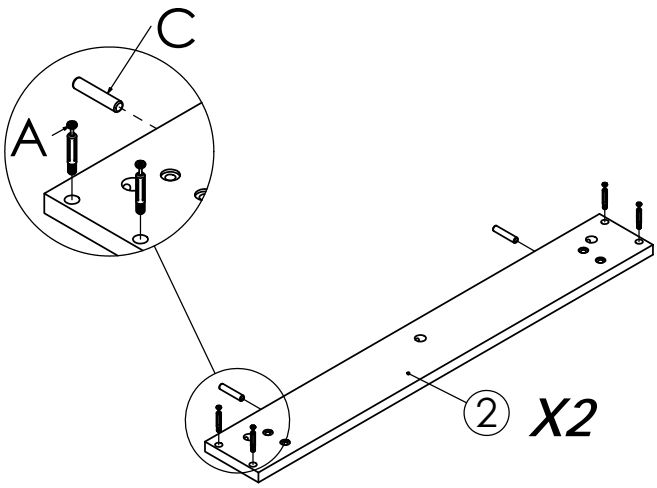
III



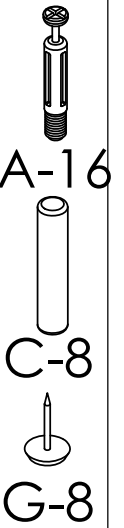
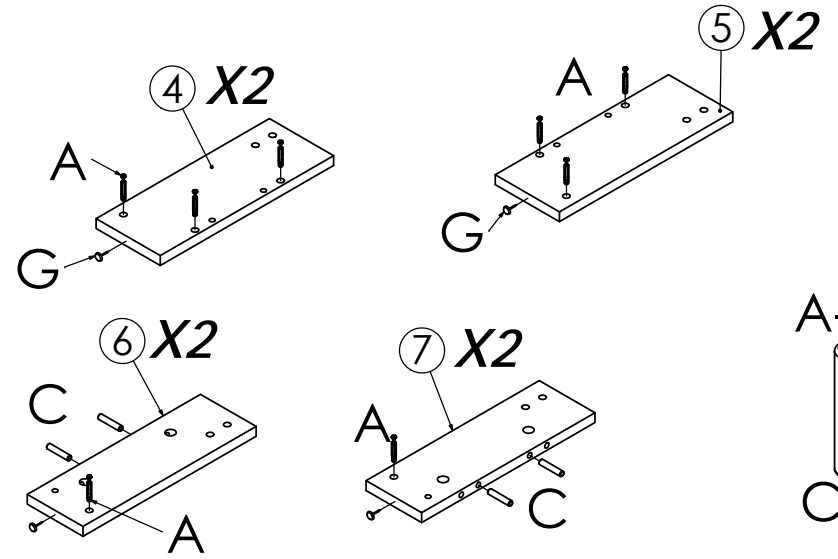
IV



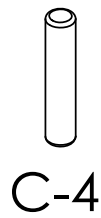
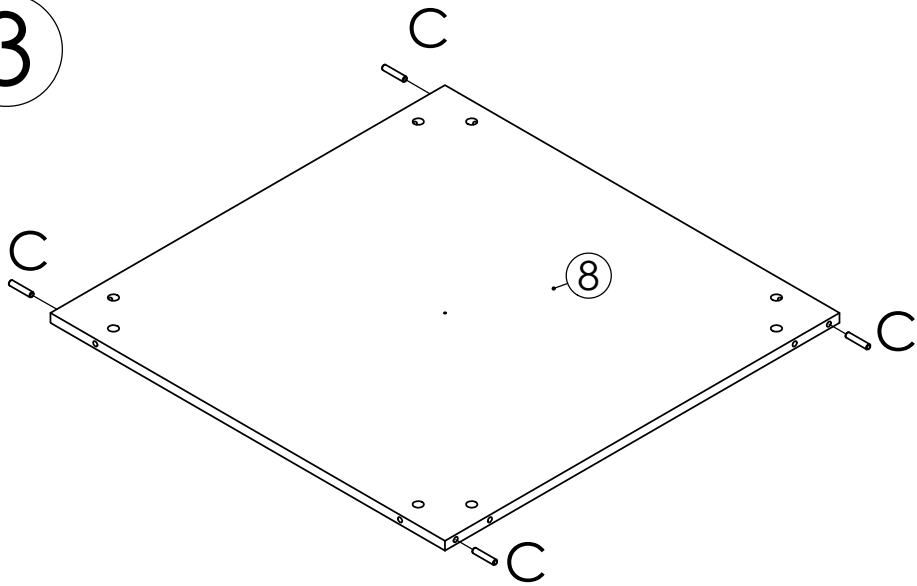
1



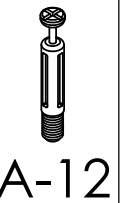
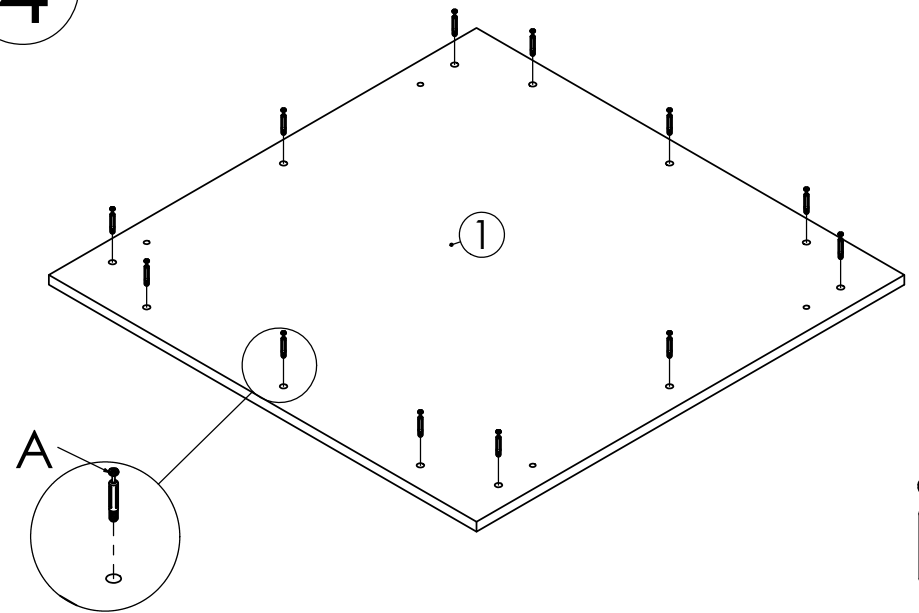
2



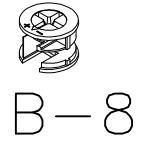
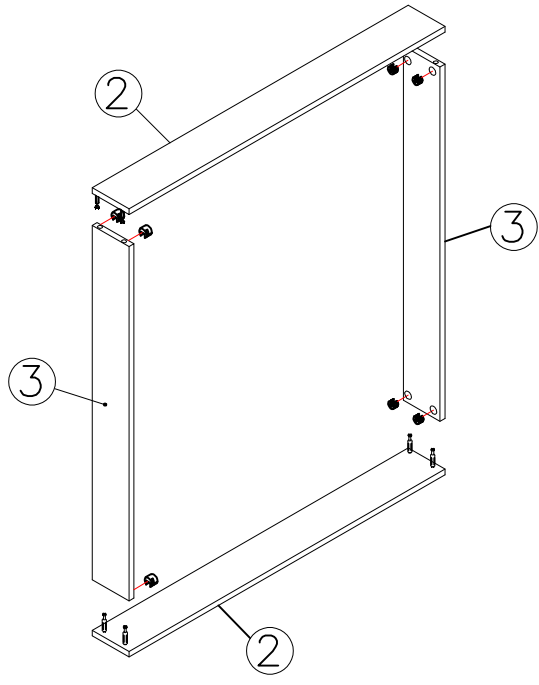
3



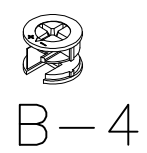
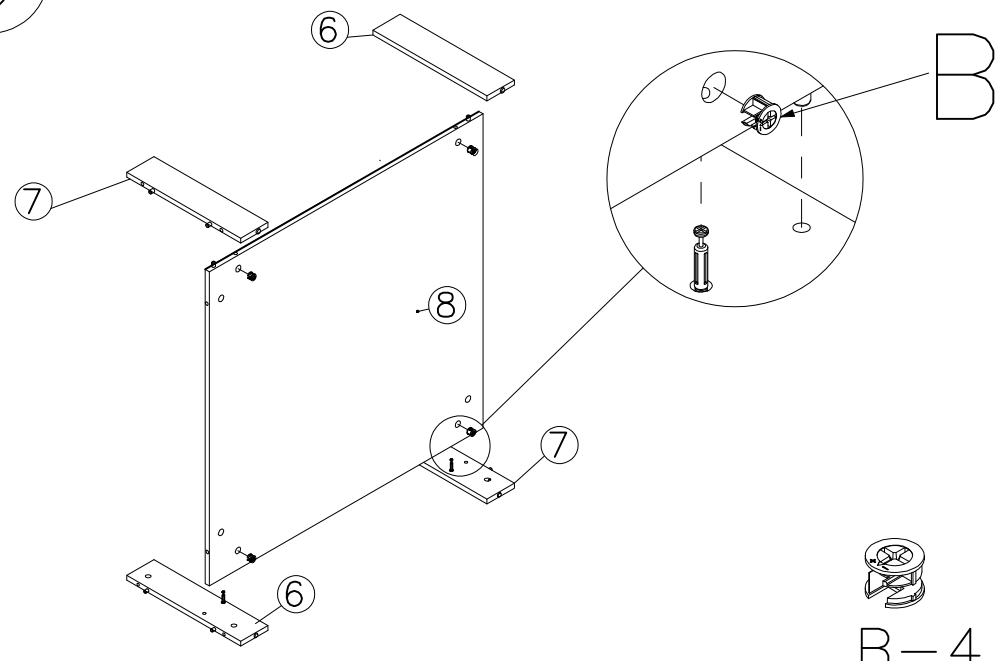
4



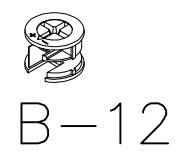
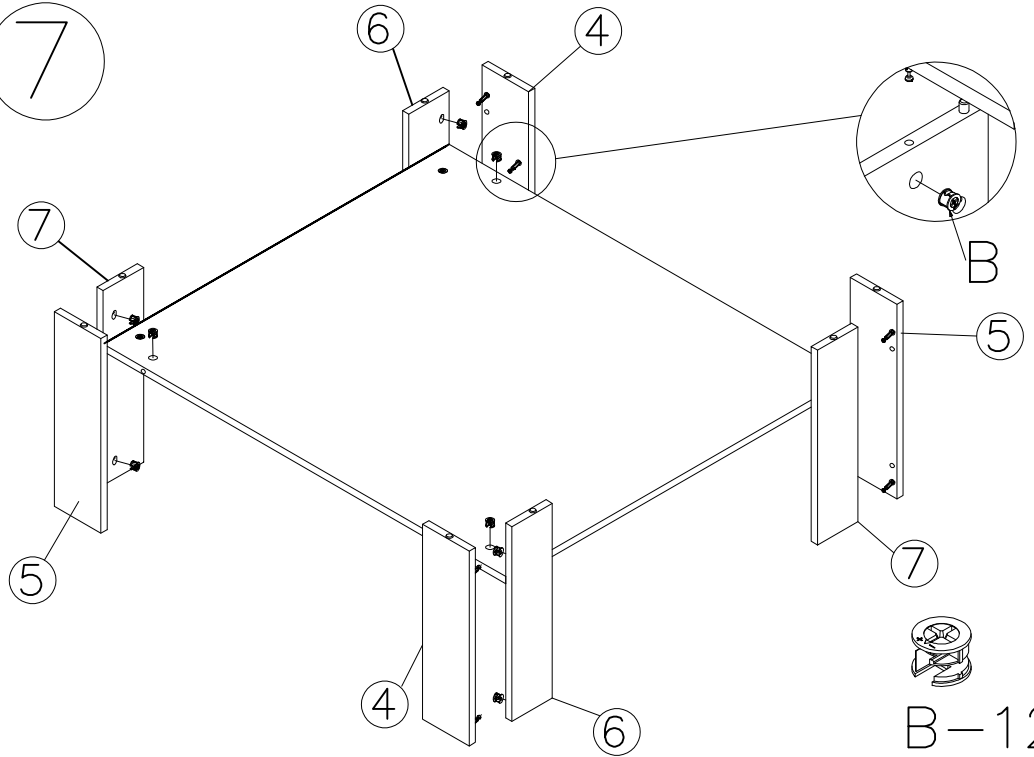
5



6



7



8

