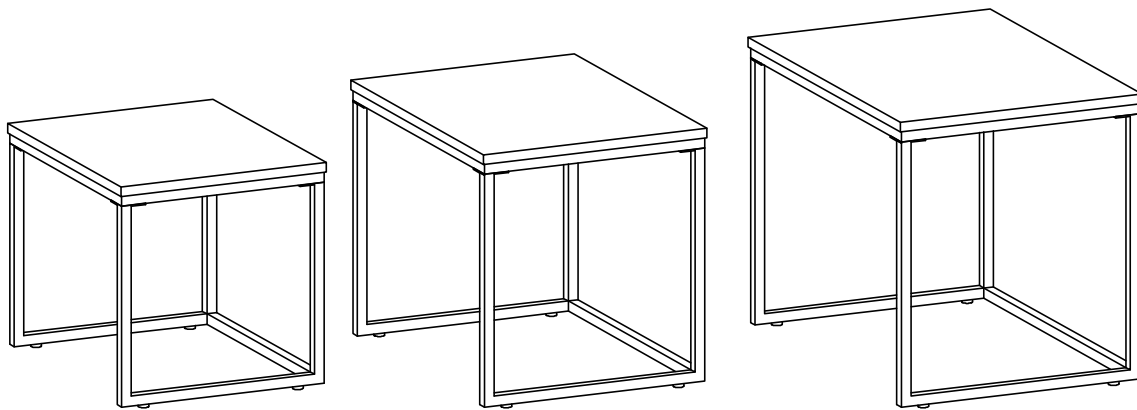




INcgb073V01_GL

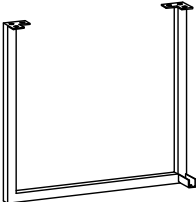
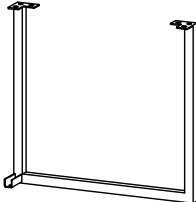
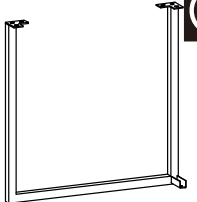
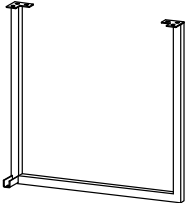
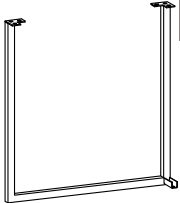
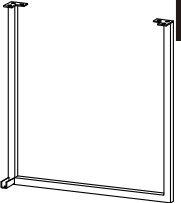

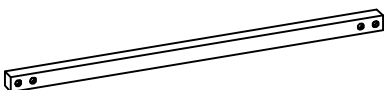

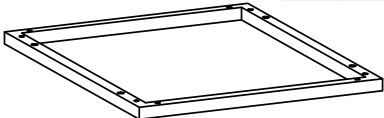
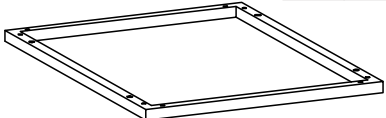
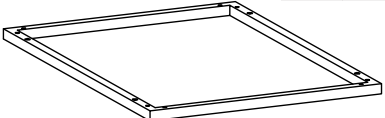
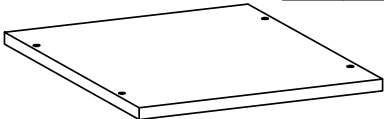
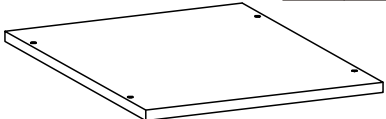
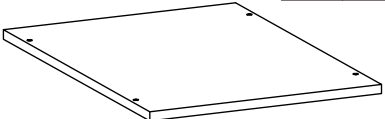
833-679



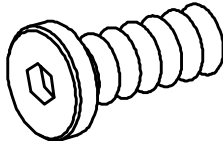
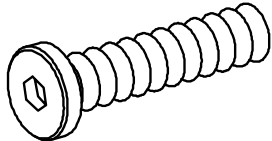
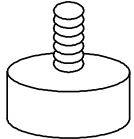

IMPORTANT, RETAIN FOR FUTURE REFERENCE: READ CAREFULLY

ASSEMBLY & INSTRUCTION MANUAL

PARTS

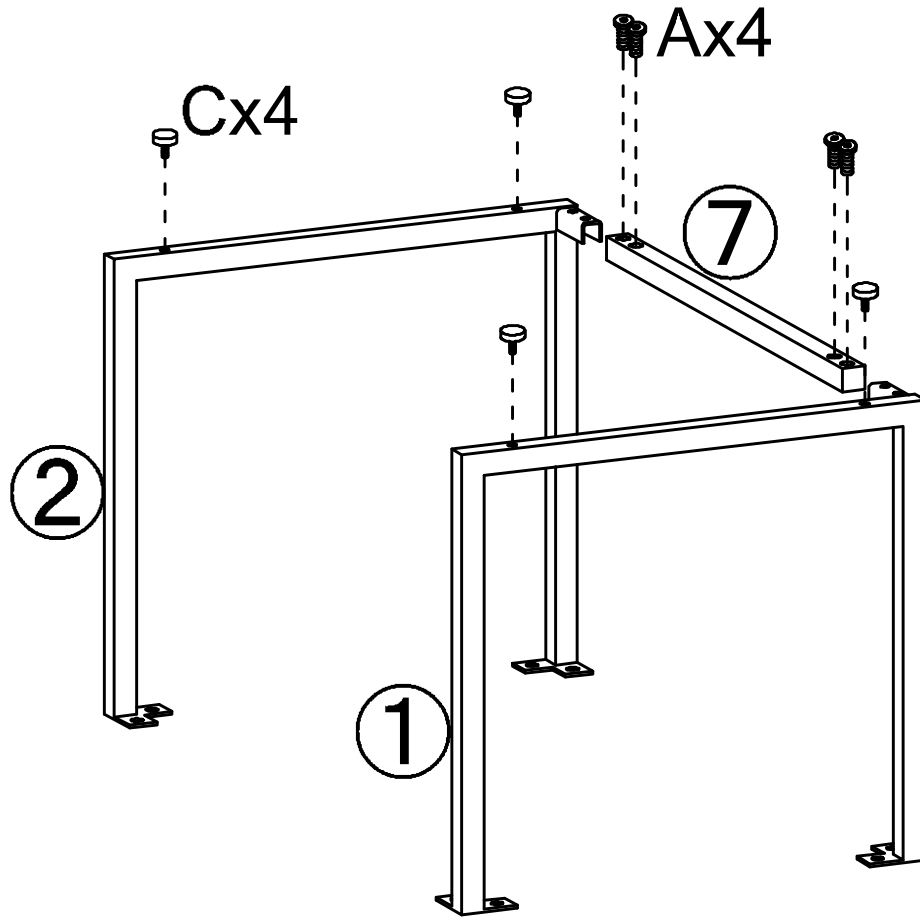
	1 x01		2 x01		3 x01
	4 x01		5 x01		6 x01
	7 x01		8 x01		9 x01
	10 x01		11 x01		12 x01
	13 x01		14 x01		15 x01

HARDWARE

	A x36 M6*12 +2(spare)		B x12 M6*30 +1(spare)
	C x12 +1(spare)		D x 1

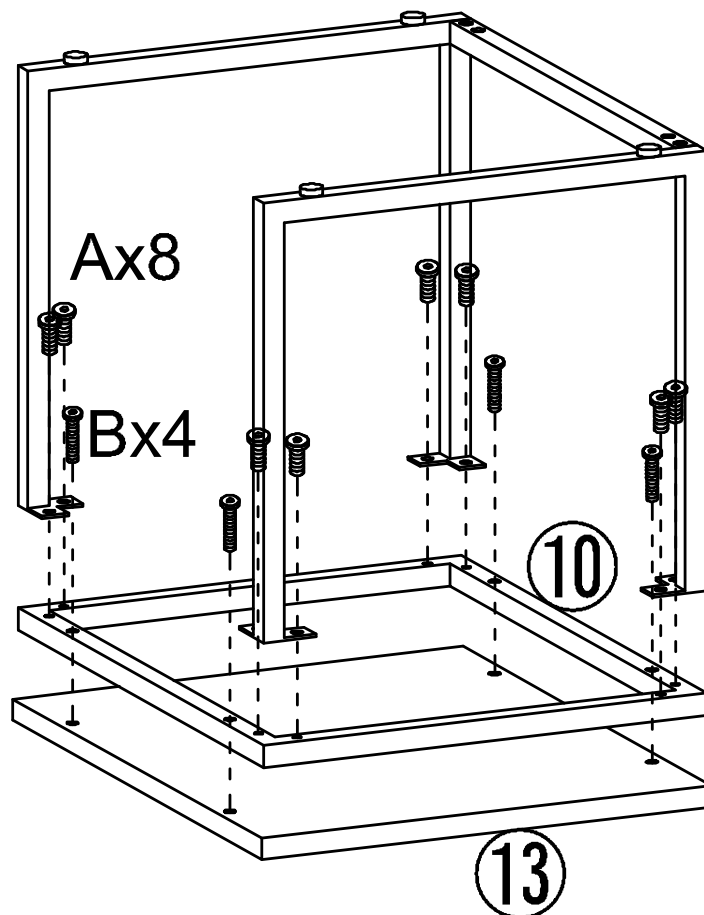
A x 4
M6*12

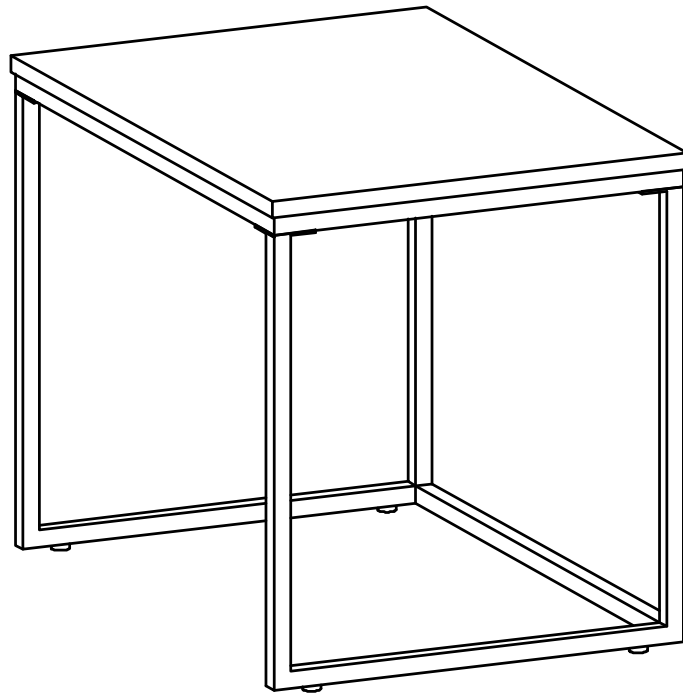
C x 4



A x 8
M6*12

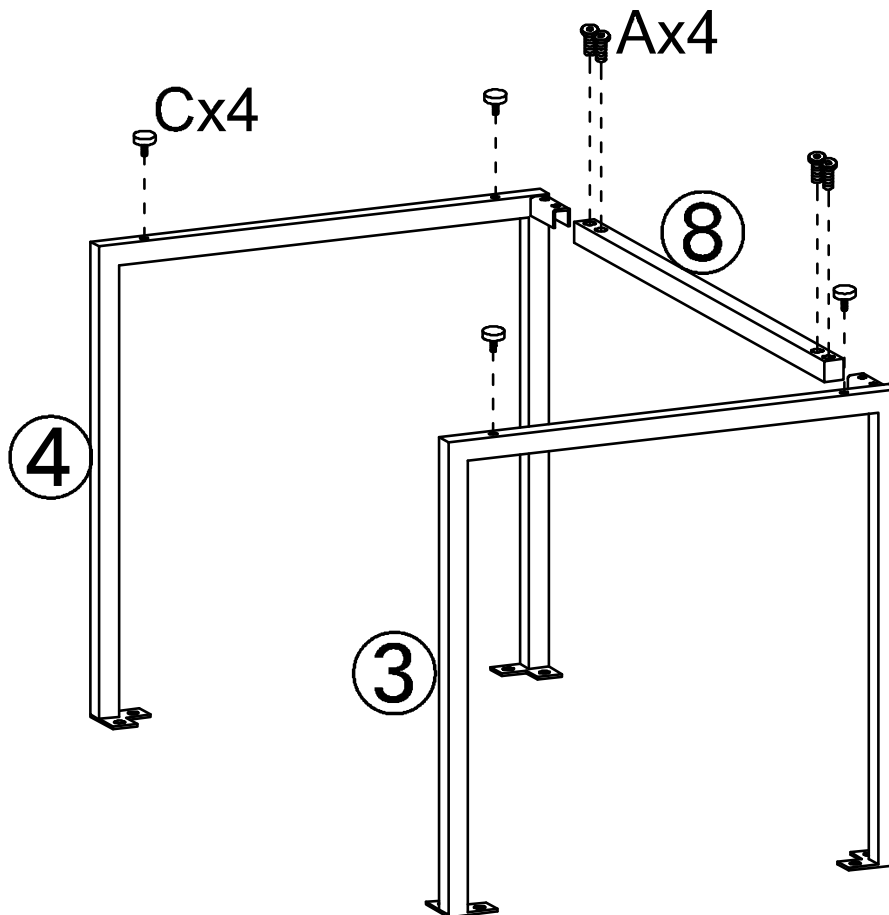
B x 4
M6*30





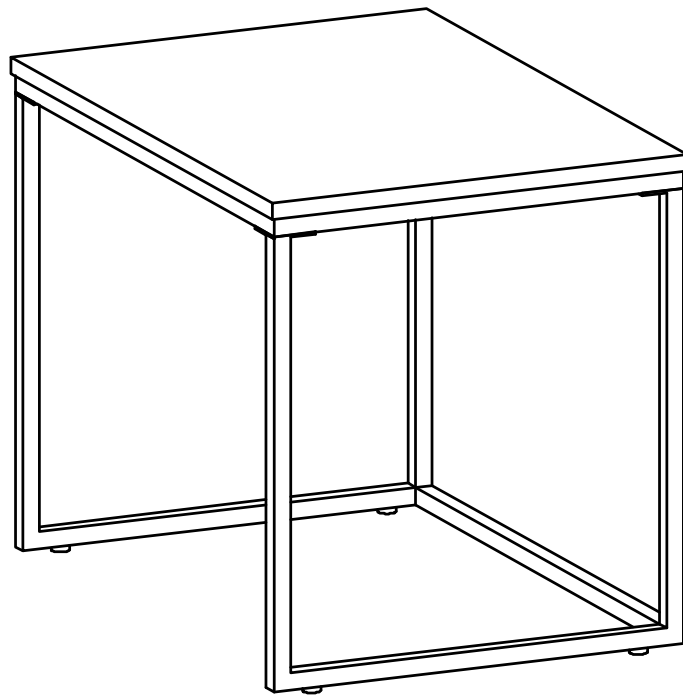
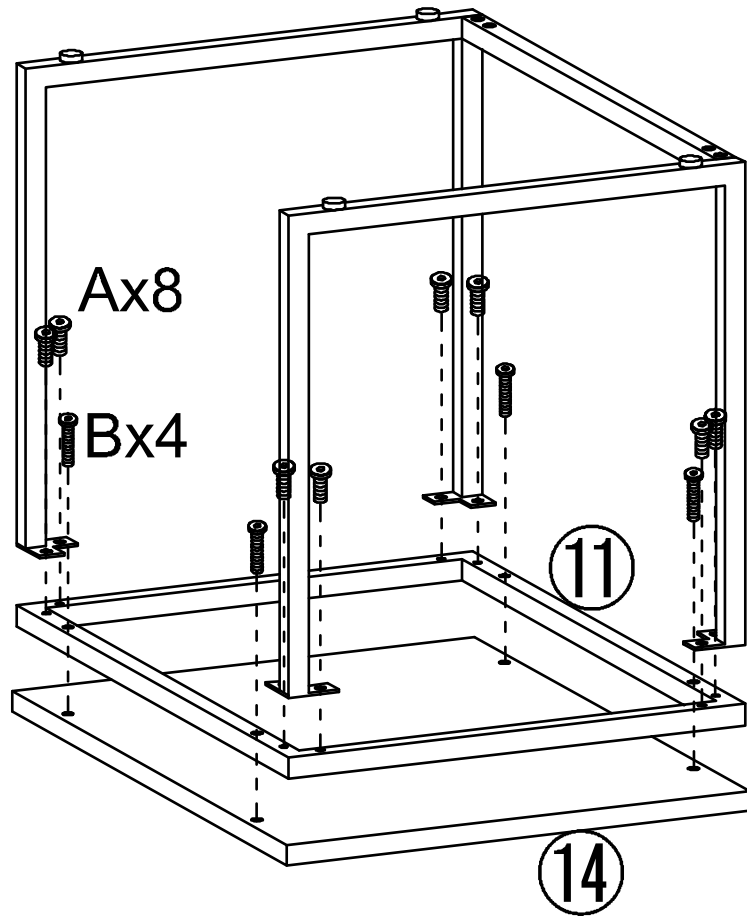
A x 4
M6*12

C x 4



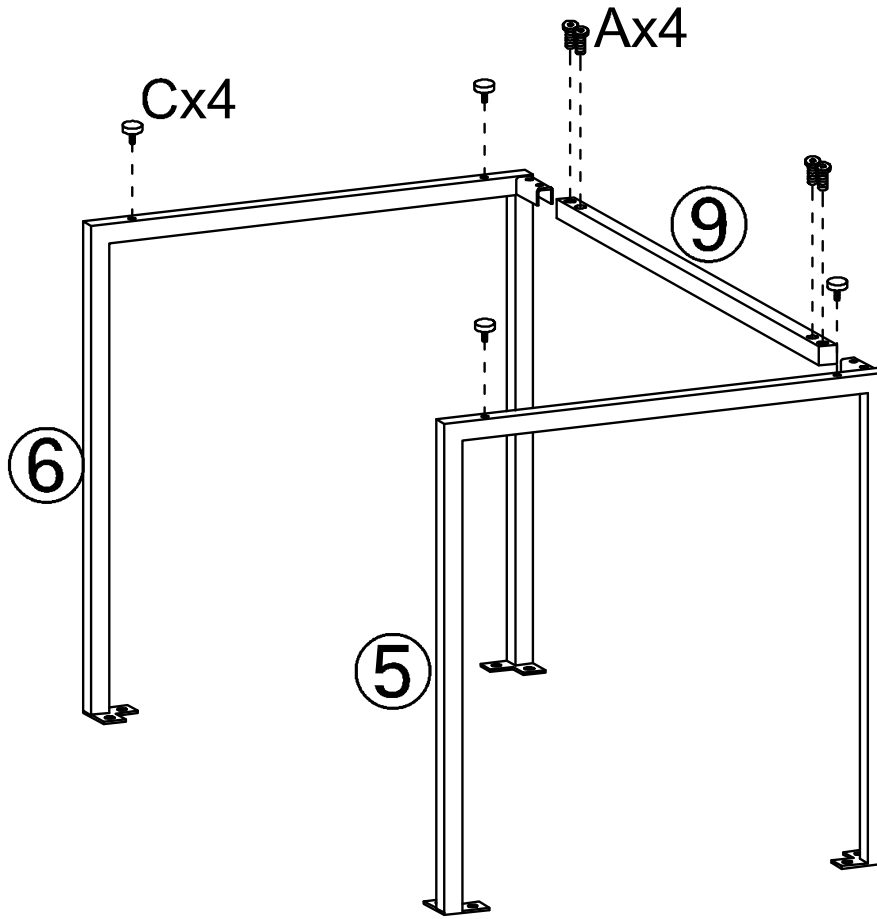
A x 8
M6*12

B x 4
M6*30



A x 4
M6*12

C x 4



A x 8
M6*12

B x 4
M6*30

