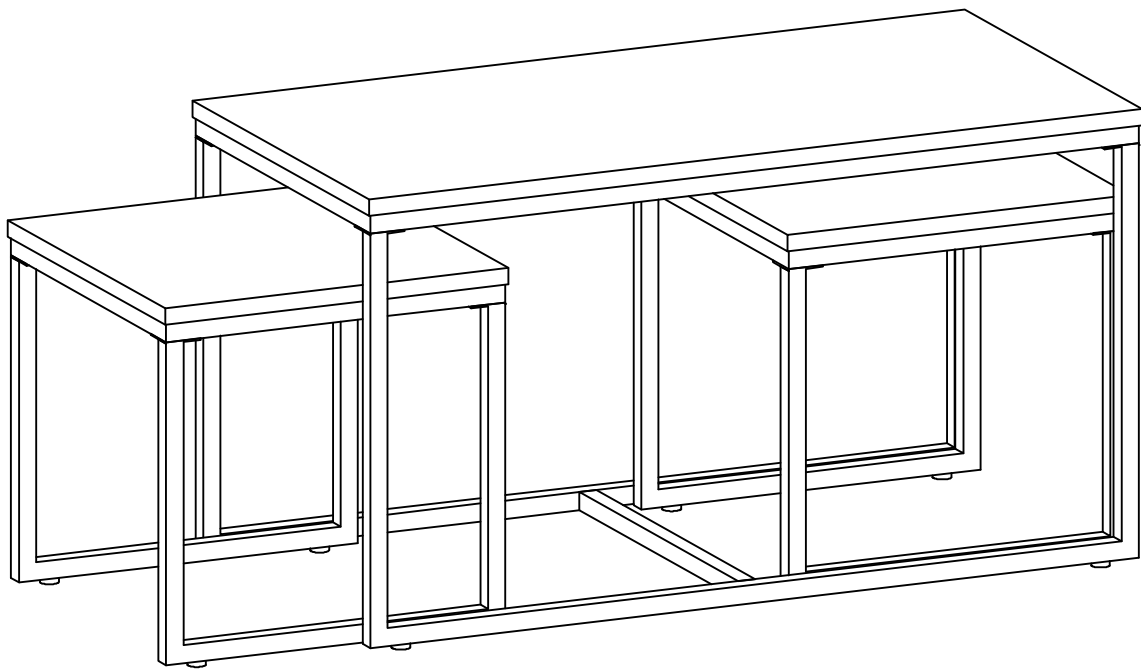




INcgb076_GL

833-683

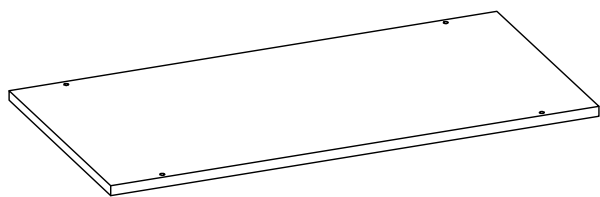


IMPORTANT, RETAIN FOR FUTURE REFERENCE: READ CAREFULLY

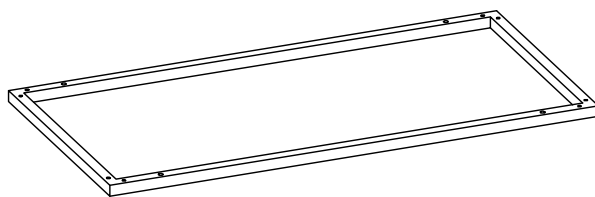
ASSEMBLY & INSTRUCTION MANUAL

PARTS

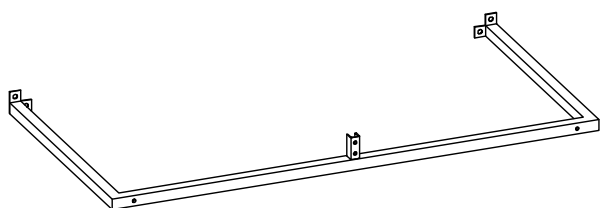
1 x01



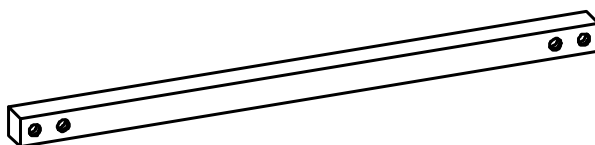
2 x01



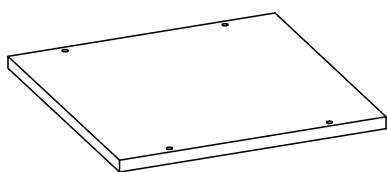
3 x02



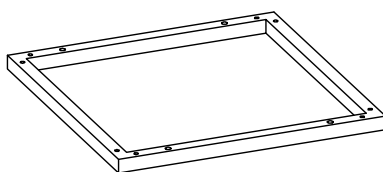
4 x01



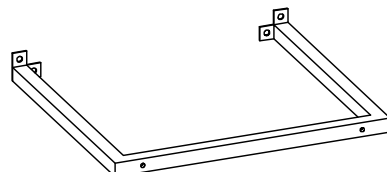
5 x02



6 x02

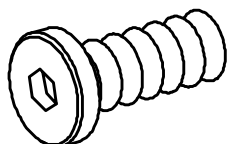


7 x04

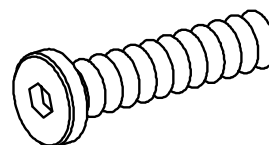


HARDWARE

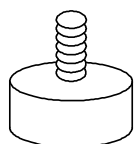
A x28
M6*12
+2(spare)



B x12
M6*30
+1(spare)

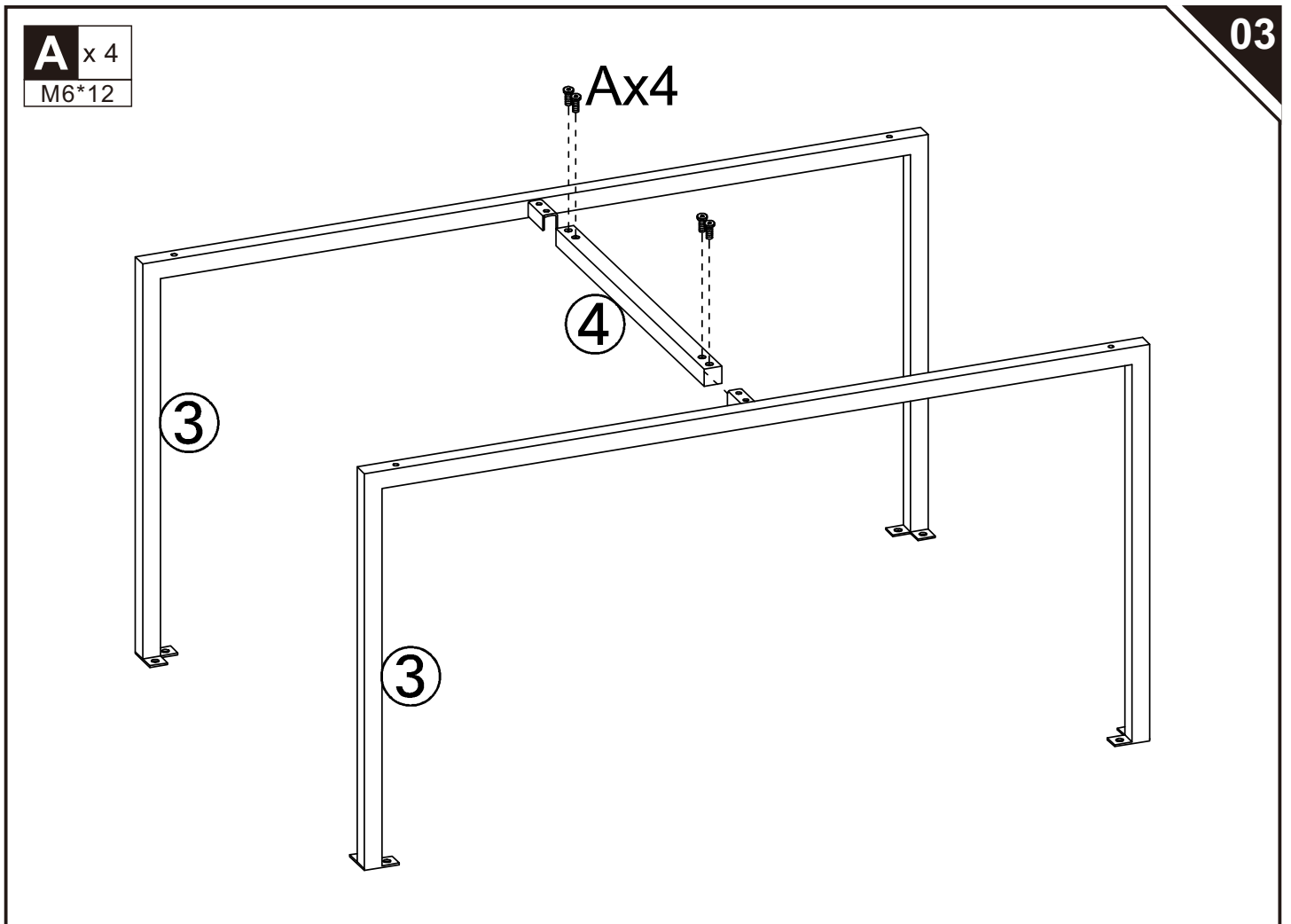
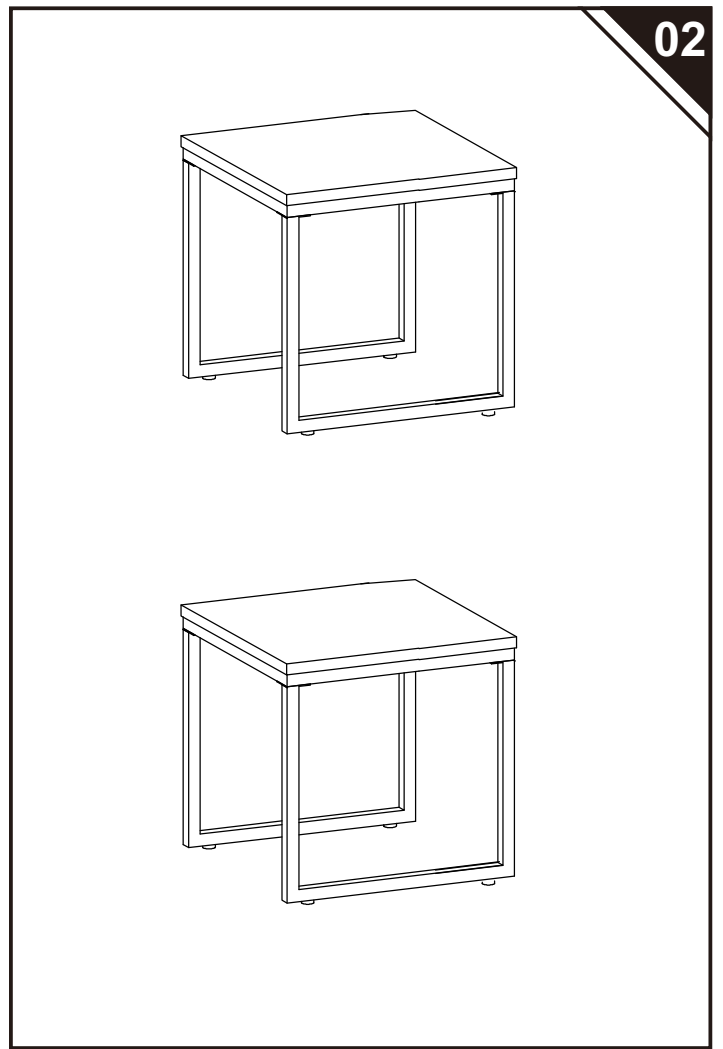
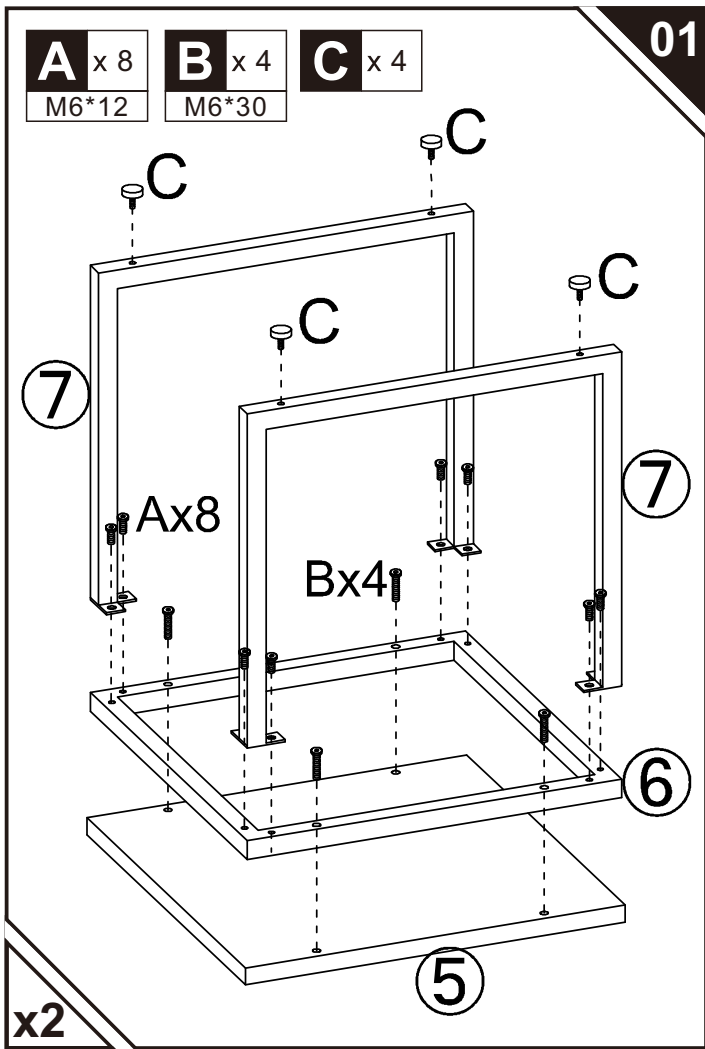


C x12
+1(spare)



D x 1





A x 8

M6*12

B x 4

M6*30

C x 4

