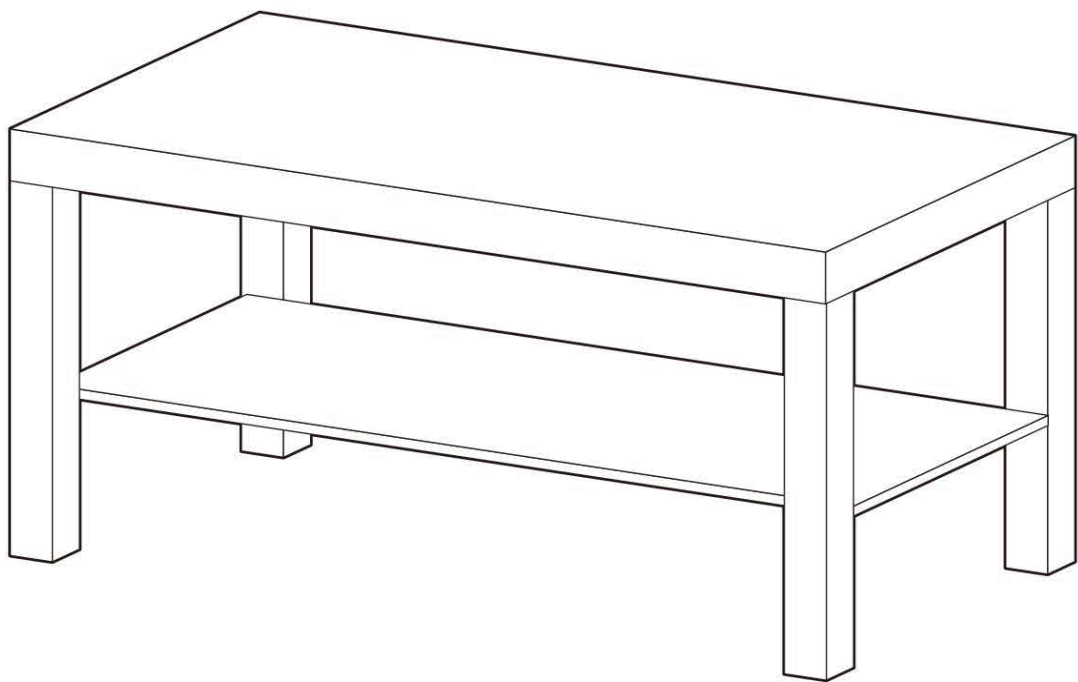




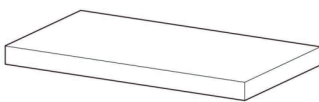








INcgb087V01_GL

833-461



IMPORTANT, RETAIN FOR FUTURE REFERENCE: READ CAREFULLY

ASSEMBLY INSTRUCTION

<p>A x 1</p> 	<p>B x 1</p> 	<p>C x 4</p> 
<p>D x 4</p> 	<p>E x 4</p> 	<p>F x 8</p> 
<p>G x 1</p> 	<p>H x 1</p> 	<p>I x 1</p>  <p>GLUE</p>

