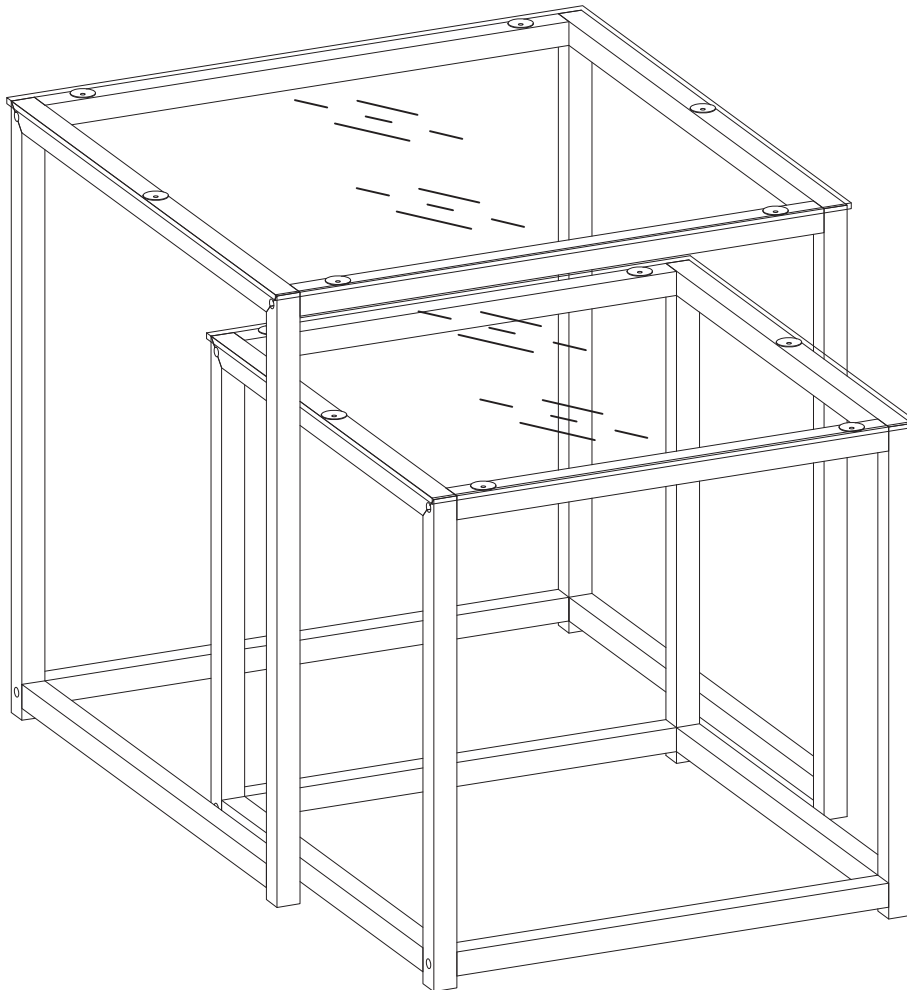




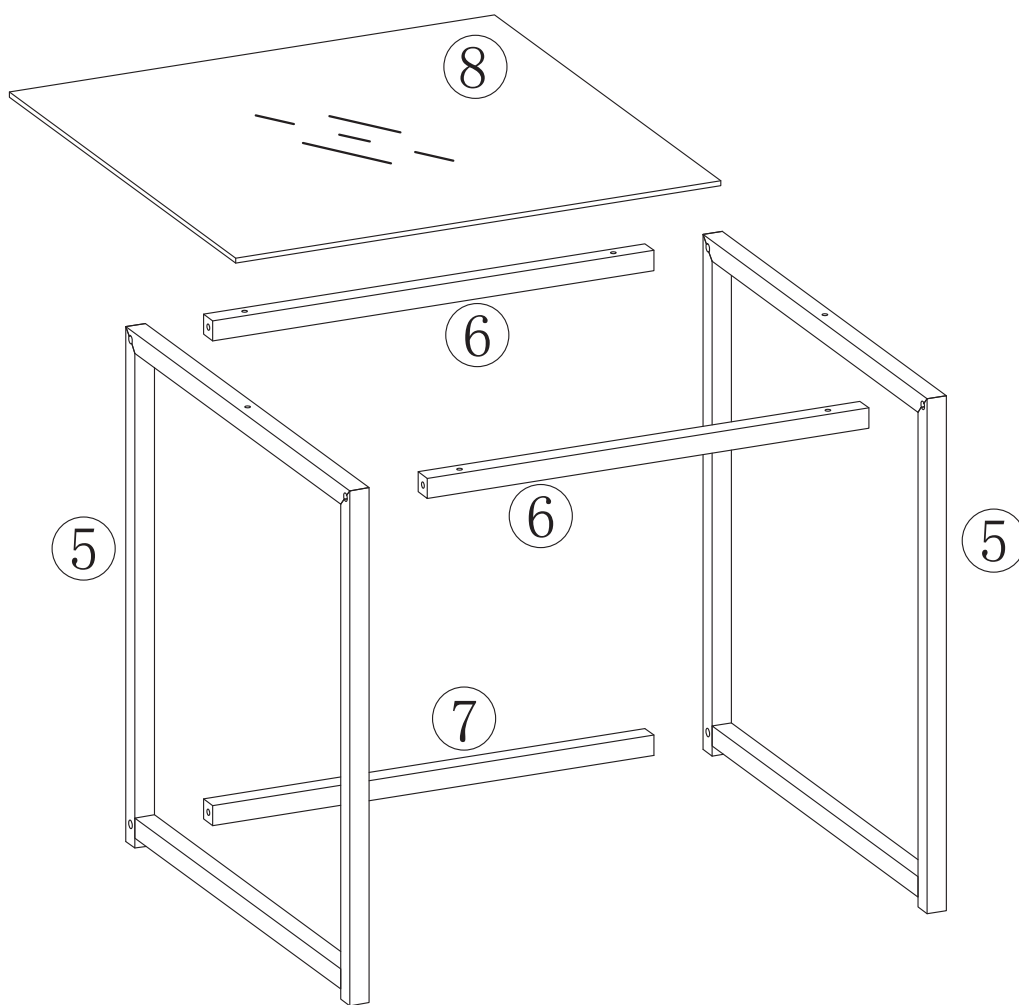
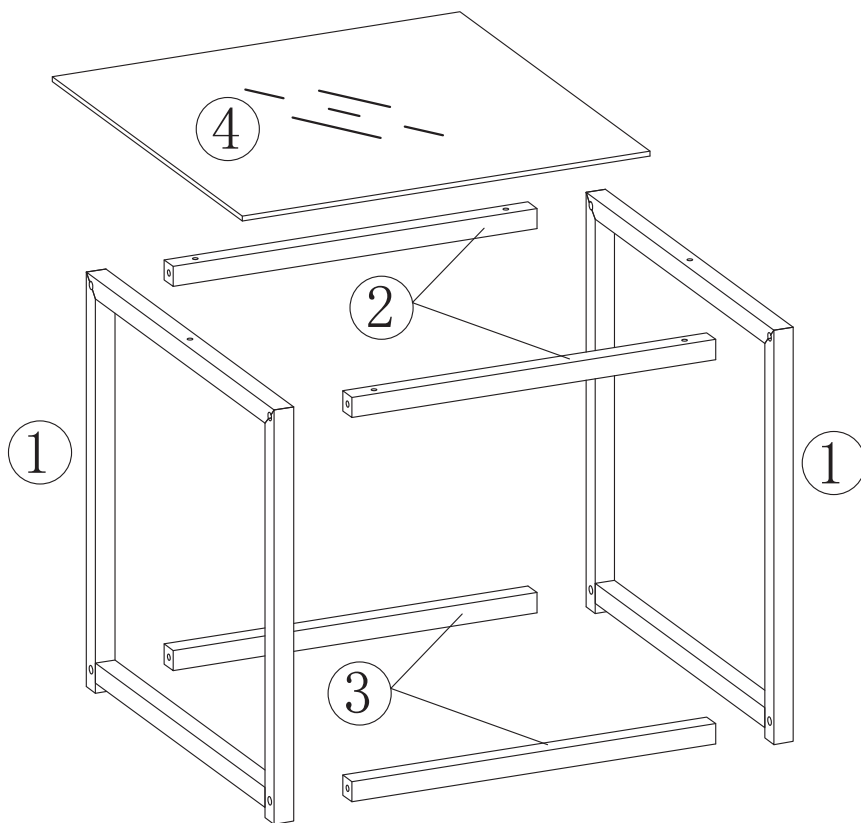
INcgb158_GL

839-245

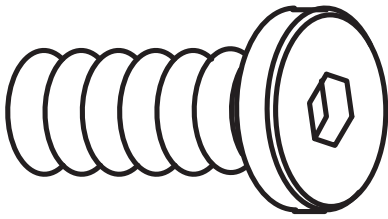


IMPORTANT, RETAIN FOR FUTURE REFERENCE: READ CAREFULLY

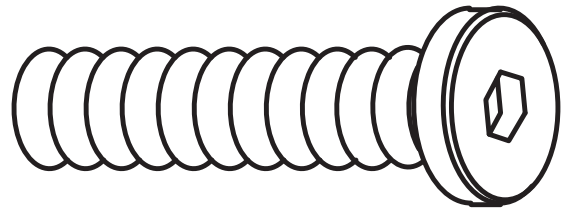
ASSEMBLY & INSTRUCTION MANUAL



A x14
M6*40
+1(spare)



B x12
+1(spare)

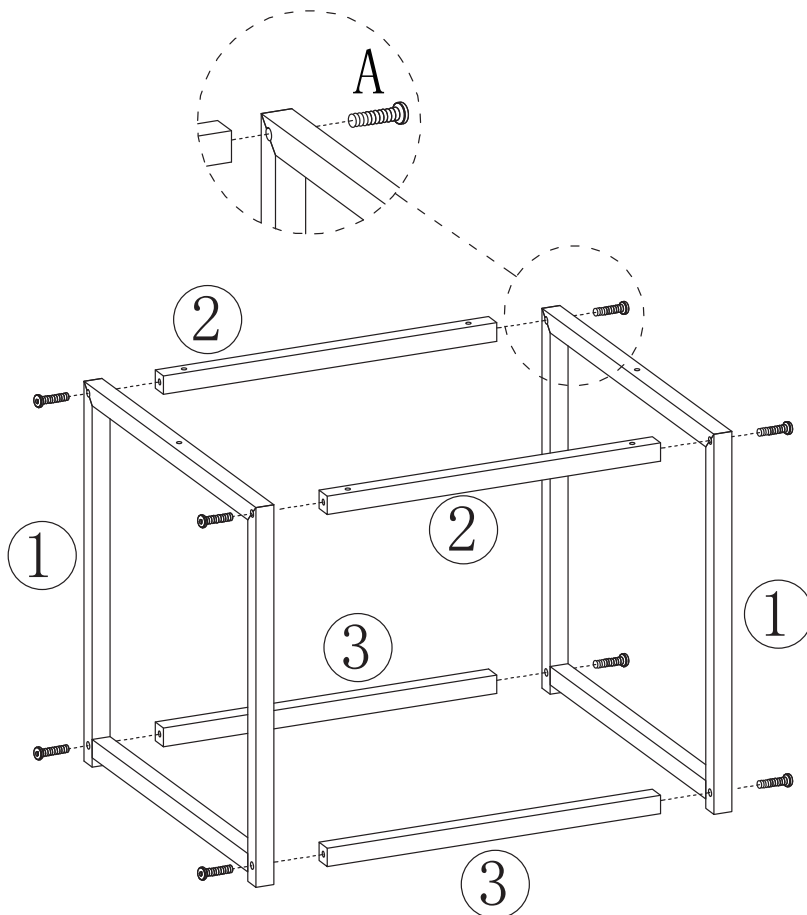


C x 1
M4

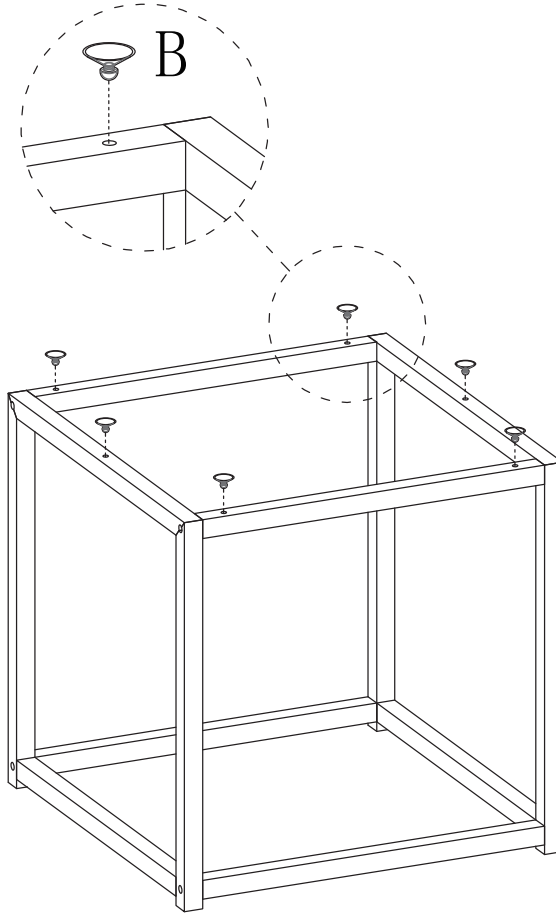


A x 8
M6*40

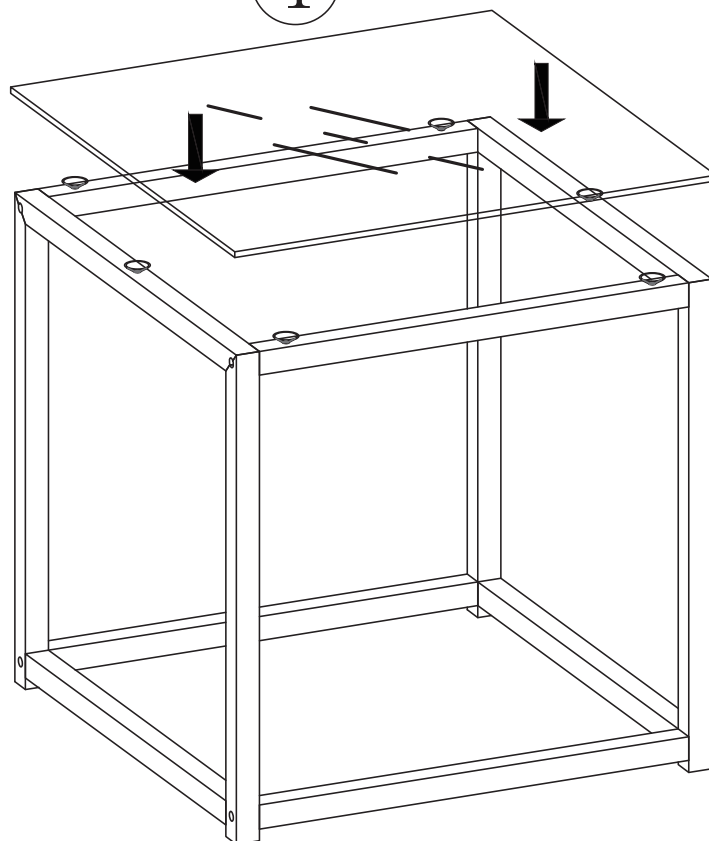
01

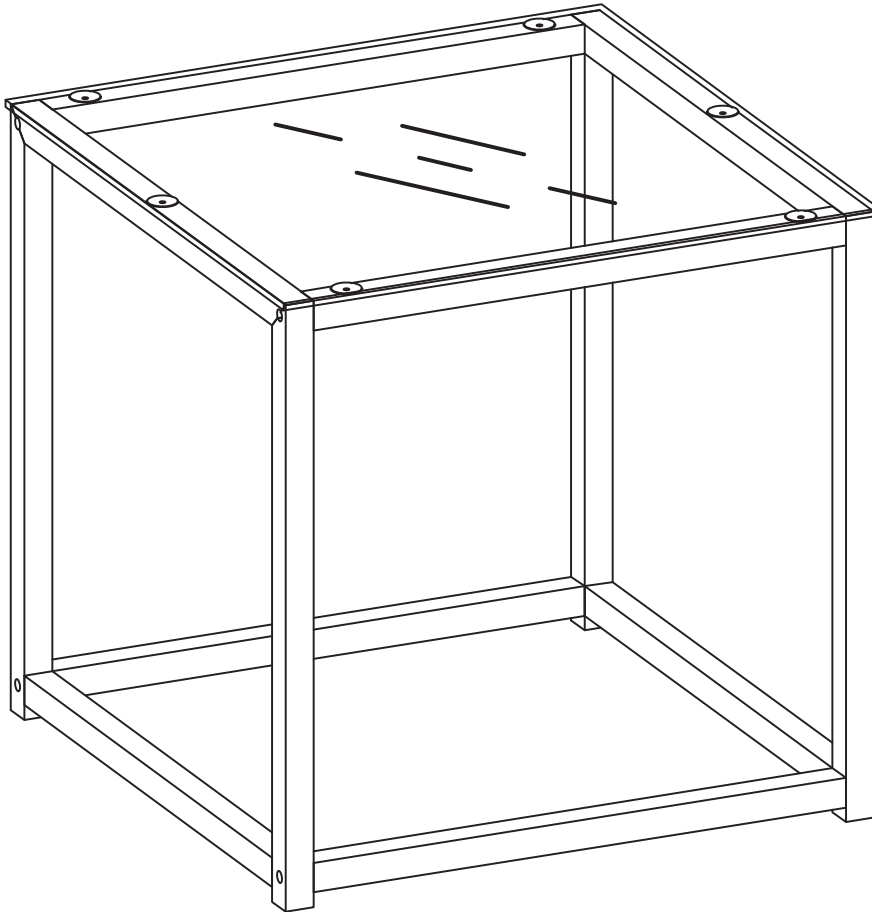


B x 6

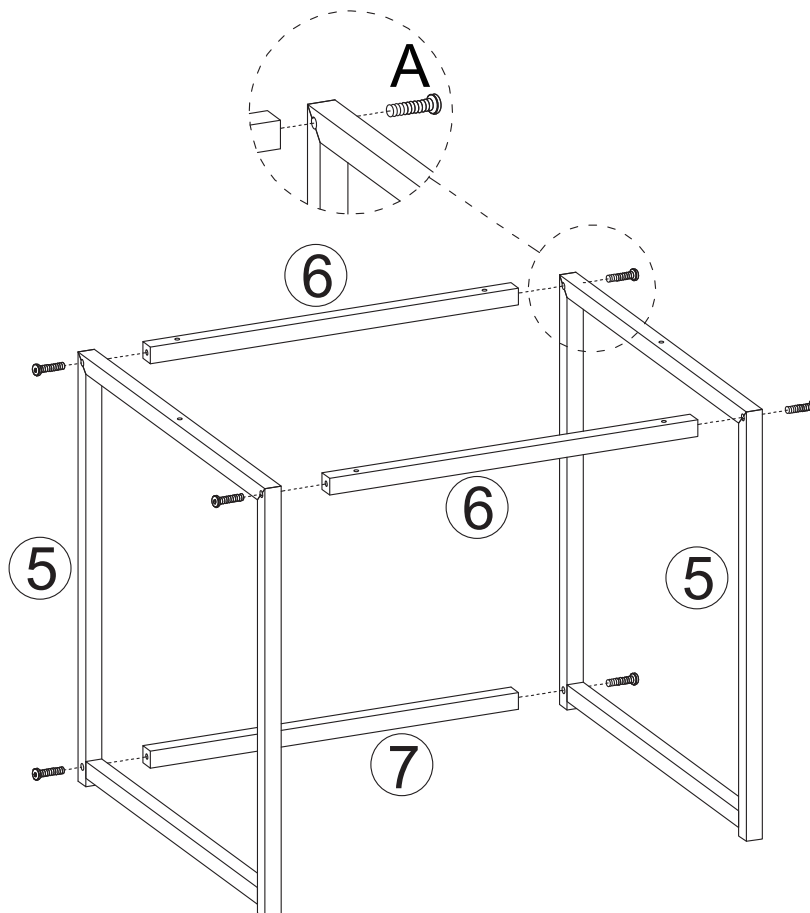


4

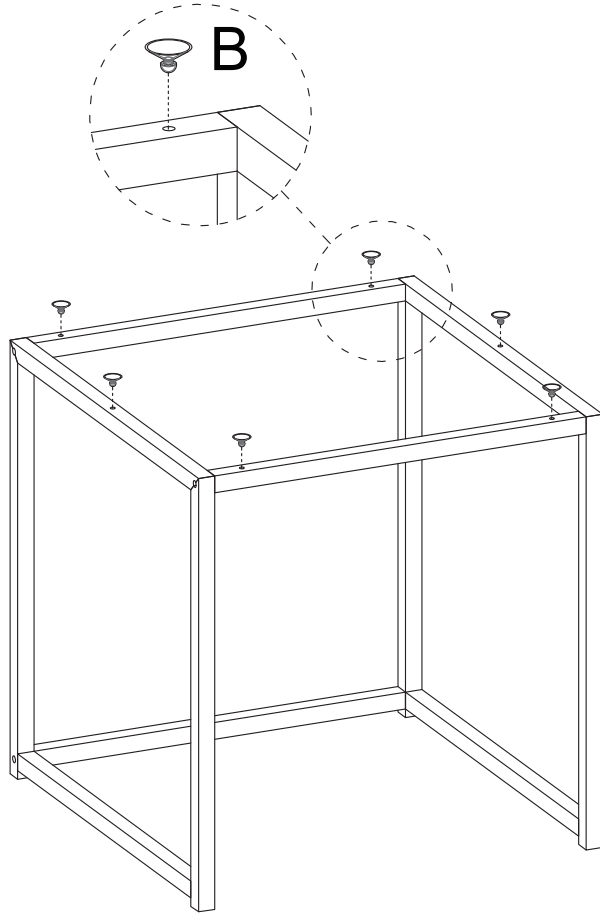




A x 6
M6*40



B x 6



8

