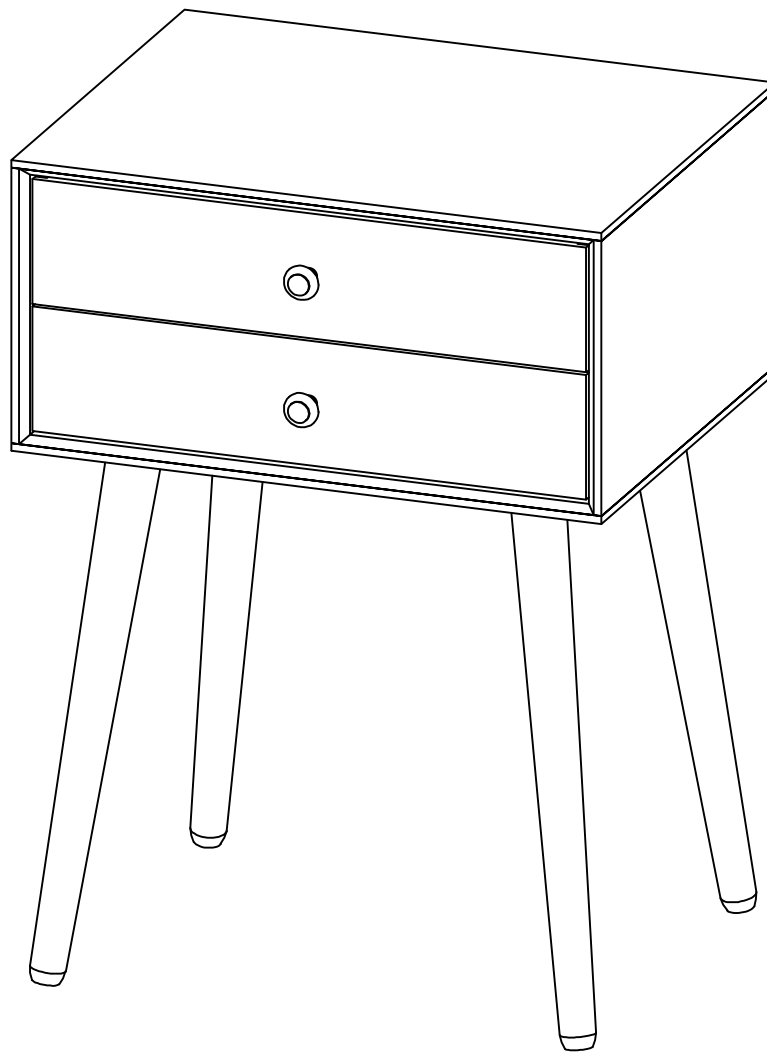




INcgb170\_US

839-057

Ver 032021.11



IMPORTANT, RETAIN FOR FUTURE REFERENCE: READ CAREFULLY

**ASSEMBLY INSTRUCTIONS**

# **SAFETY INFORMATION**

---

## **⚠ Warranty Coverage Requirements:**

1. Pictures of the damaged parts.
  - . You must know the name or MOLDE number of your product.
3. Please gather all of this information **BEFORE** you contact customer service.

## **⚠ WARNING**

1. Please read and understand this entire manual before attempting to **assemble or install the product.**
2. Assemble the item on a soft, non-abrasive surface such as carpeting to avoid damage.
3. Item is heavy. Handle with care. May require two adults for safe assembly.  
**Estimated Assembly Time: 20 minutes**

## **⚠ CAUTION**

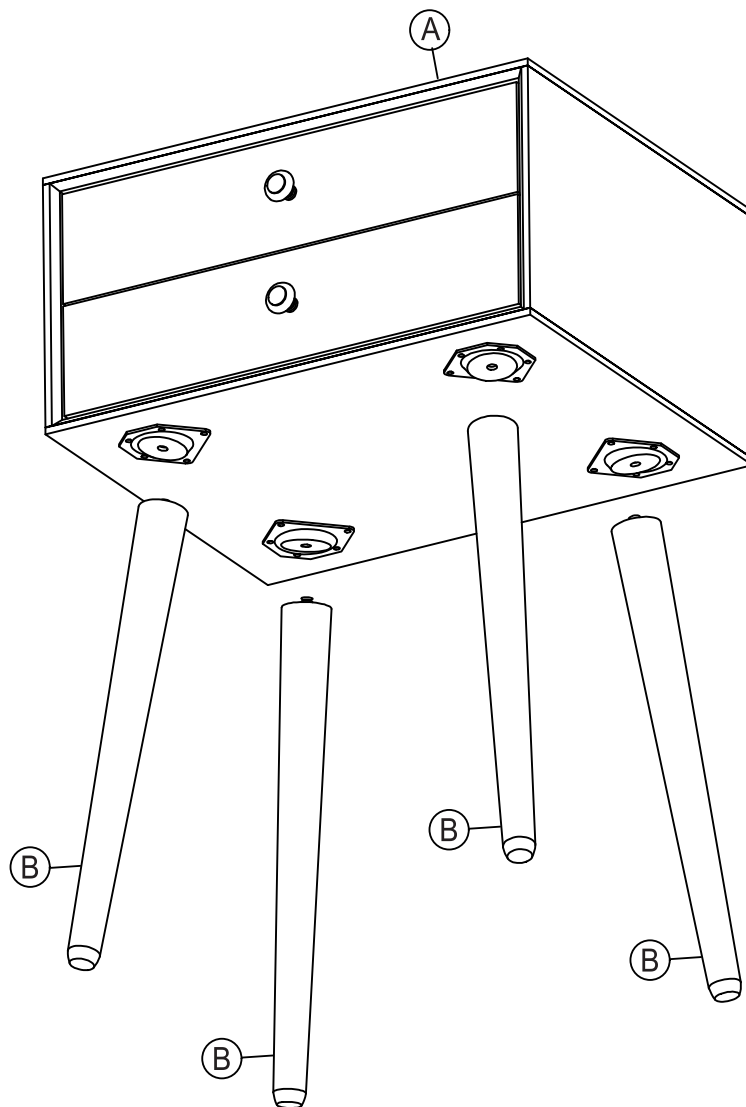
Recommended maximum drawer weight 11lbs/ 5kgs.

## **⚠ PREPARATION**

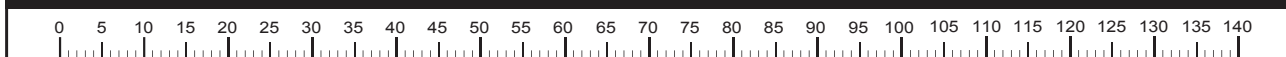
Before beginning assembly of product, make sure all parts are present.  
Compare parts with parts list. If any part is missing or damaged, do not attempt to assemble the product and contact us immediately

# PACKAGE CONTENTS

PART	DESCRIPTION	QUANTITY
A	Top frame	01
B	Legs	04



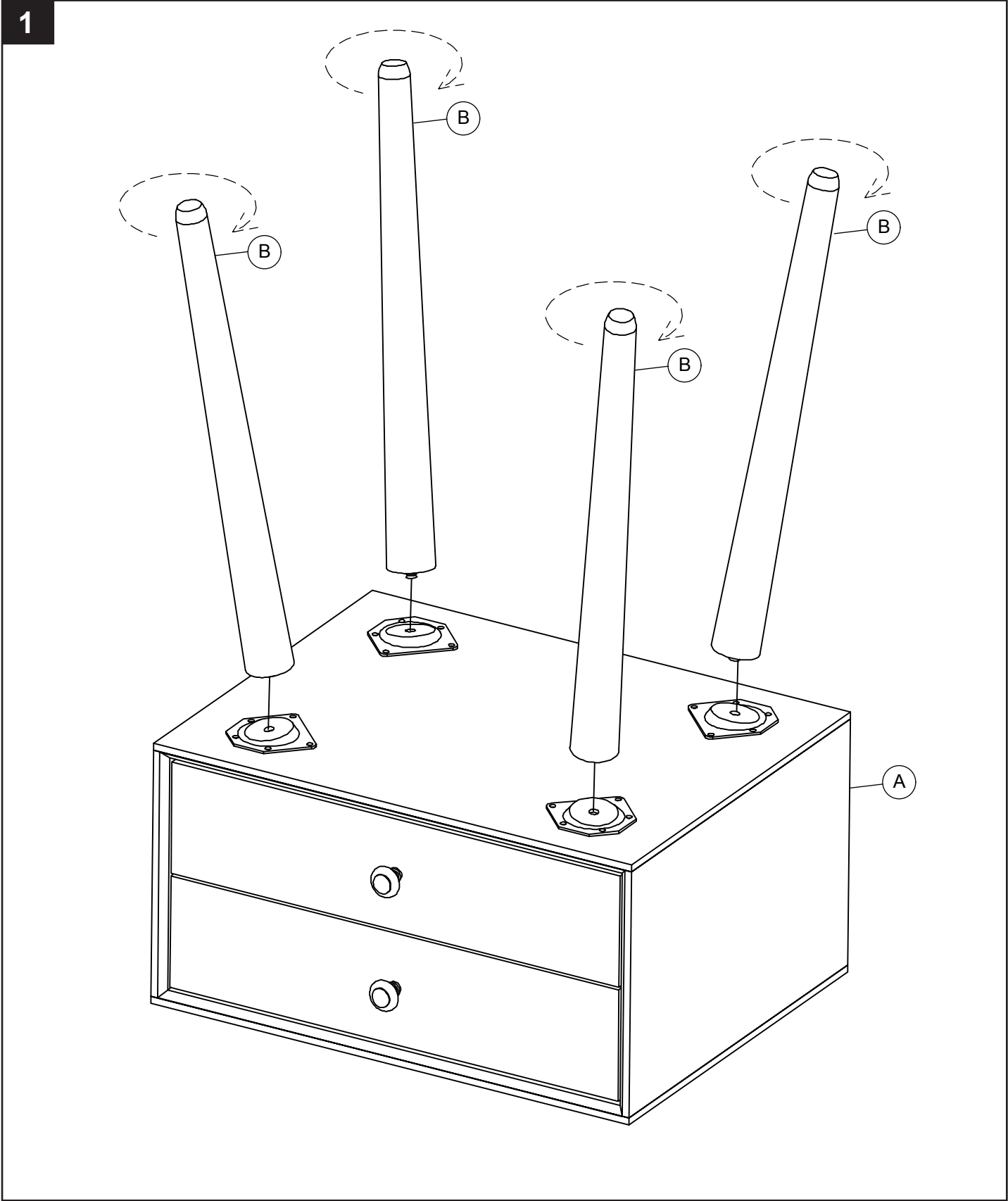
**Ruler** - Use this ruler to help correctly identify the screws.



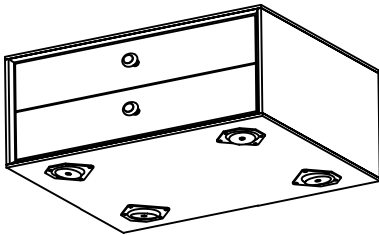
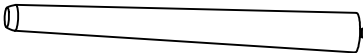
**ASSEMBLY INSTRUCTIONS**

**FRAME ASSEMBLY**

1. Attach legs (B) with top frame (A).



ITEM NO.	CTN NO.	INCLUDING
839-057BK 839-057GY	1	1 Top frame + 4 Legs

No	Product clusters inside carton	Reference Picture	Part	Qty
1	Top frame		A	1
2	Legs		B	4