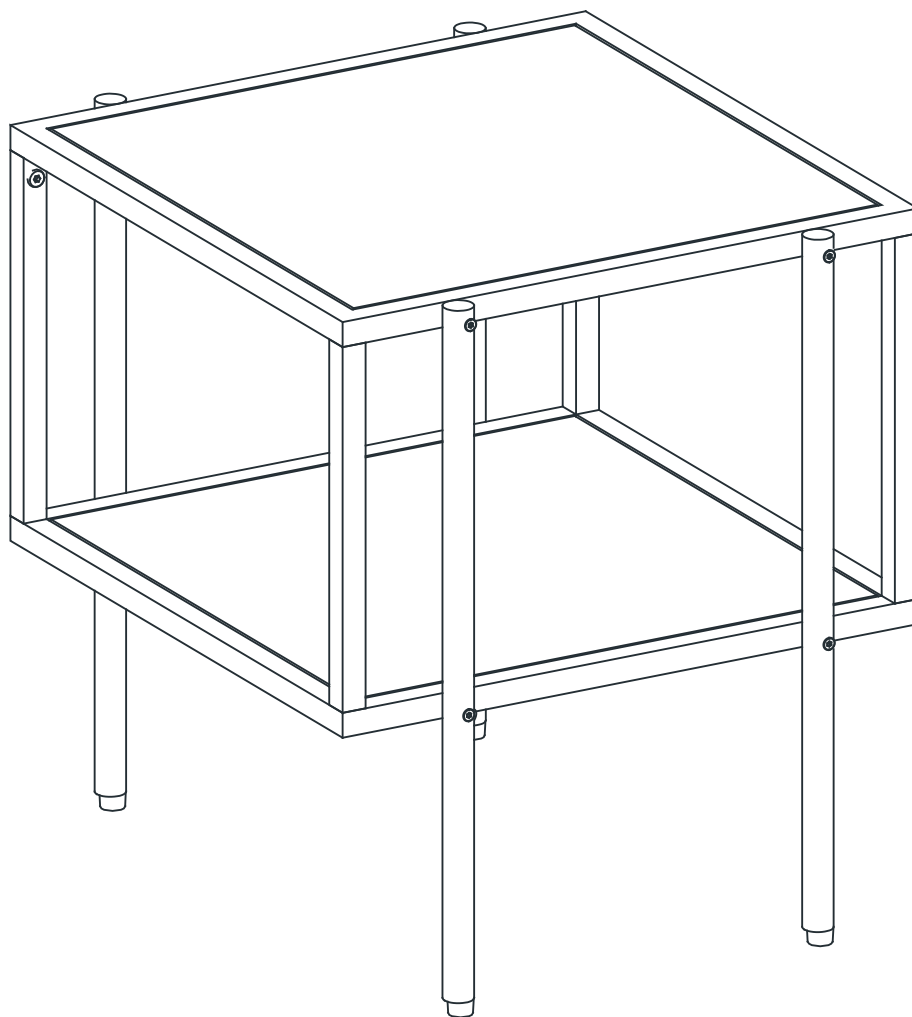




INcgb174V01_UK_FR_ES_DE_IT

839-436V00



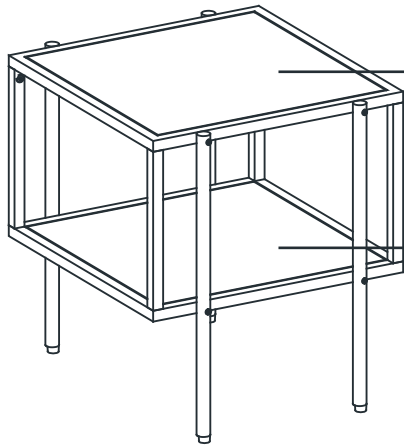
EN_ IMPORTANT, RETAIN FOR FUTURE REFERENCE: READ CAREFULLY.

FR_ IMPORTANT: A LIRE ATTENTIVEMENT ET À CONSERVER POUR CONSULTATION ULTÉRIEURE.

ES_ IMPORTANTE, LEA Y GUARDE PARA FUTURAS REFERENCIAS.

DE_, WICHTIG! SORGFÄLTIG LESEN UND FÜR SPÄTER NACHSCHLAGEN AUFBEWAHREN."

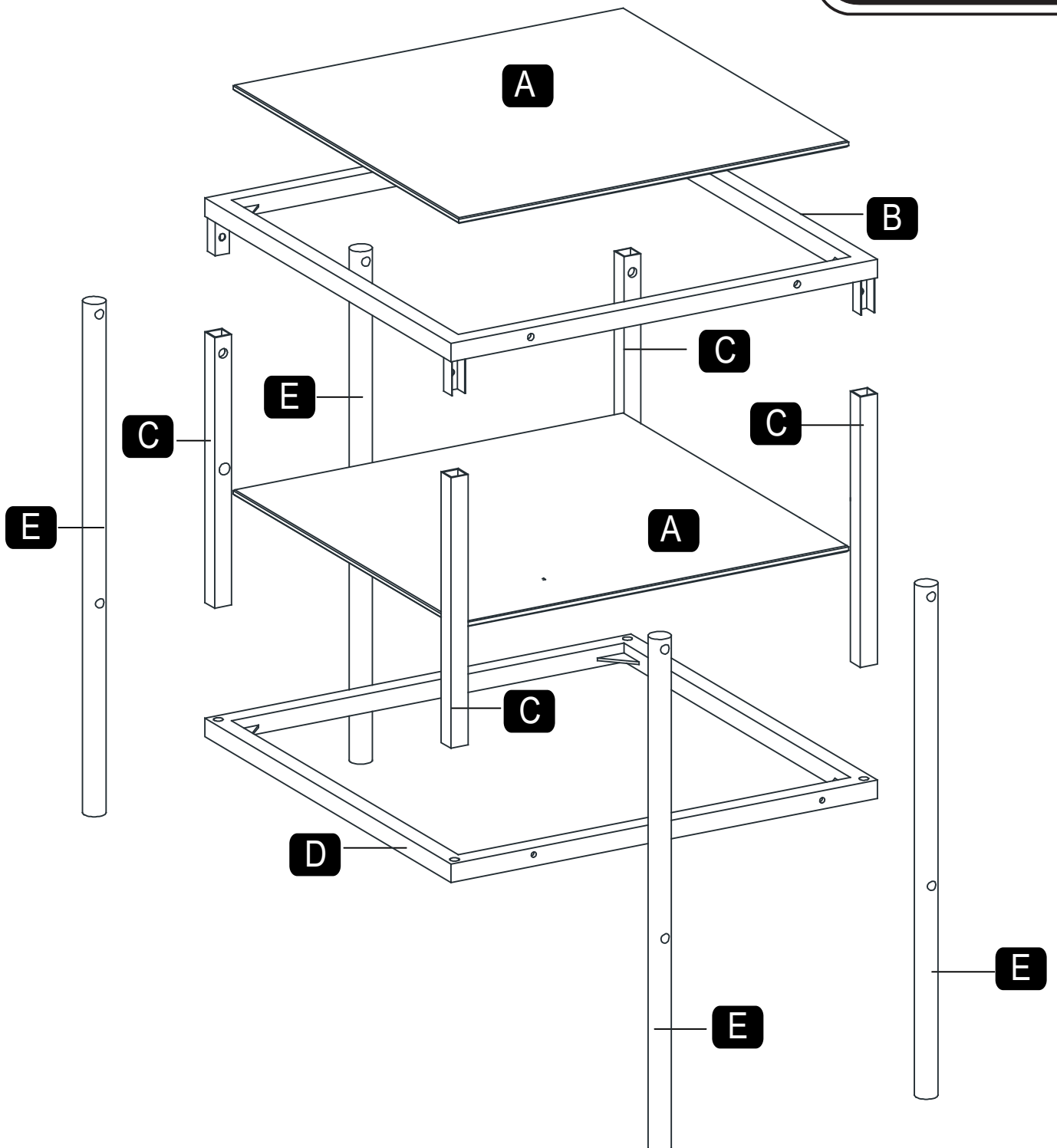
IT_ IMPORTANTE! CONSERVARE IL PRESENTE MANUALE PER FUTURO RIFERIMENTO E LÉGGERLO ATTENTAMENTE.



MAX
8KG

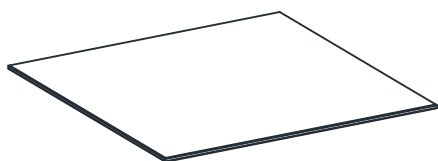
MAX
8KG

EXPLOSION FIGURE

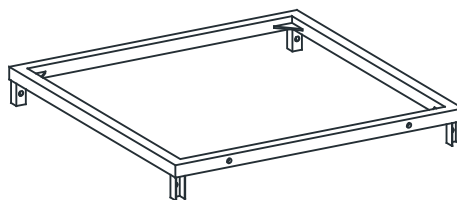


PARTS

A x 2



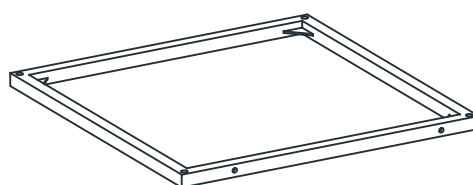
B x 1



C x 4



D x 1

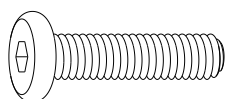


E x 4

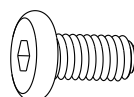


HARDWARE

1 x 12
M6*28mm
+1 (spare)



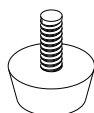
2 x 4
M6*12mm
+1 (spare)



3 x 8
12*3mm

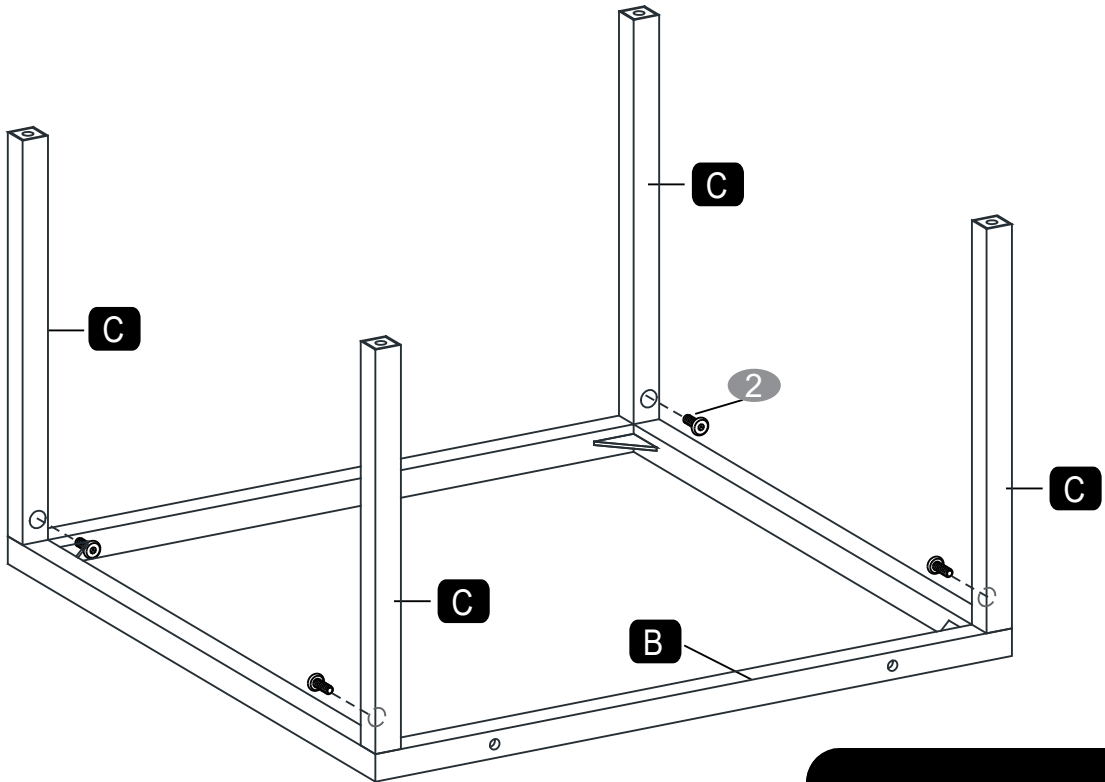
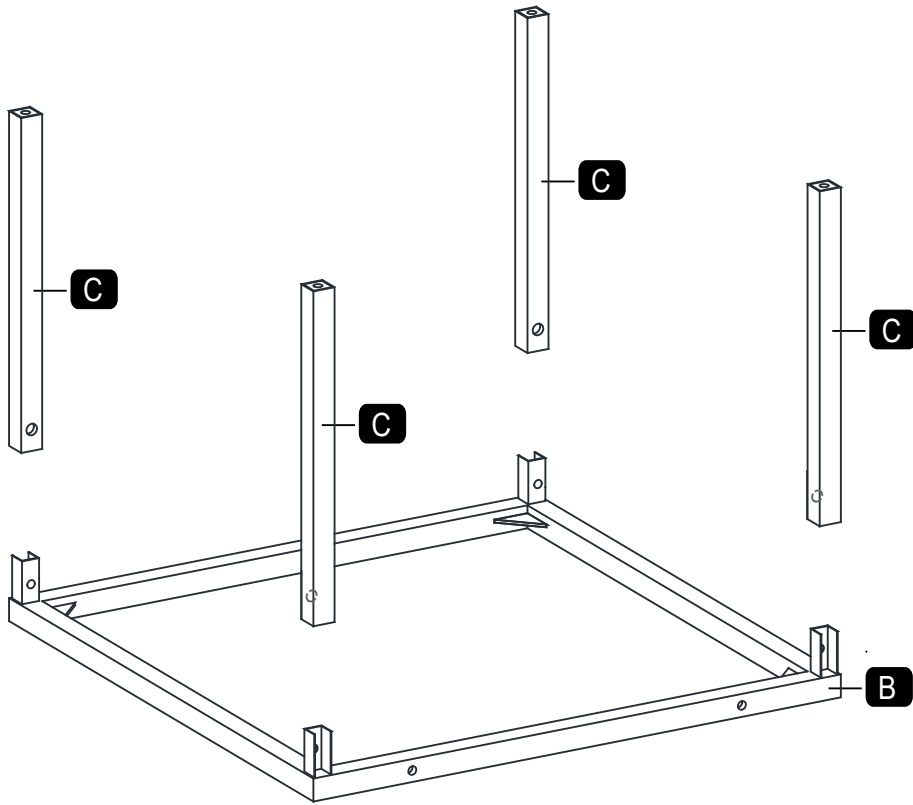


4 x 4
18*7mm

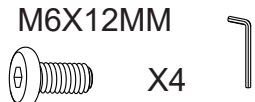


5 x 1

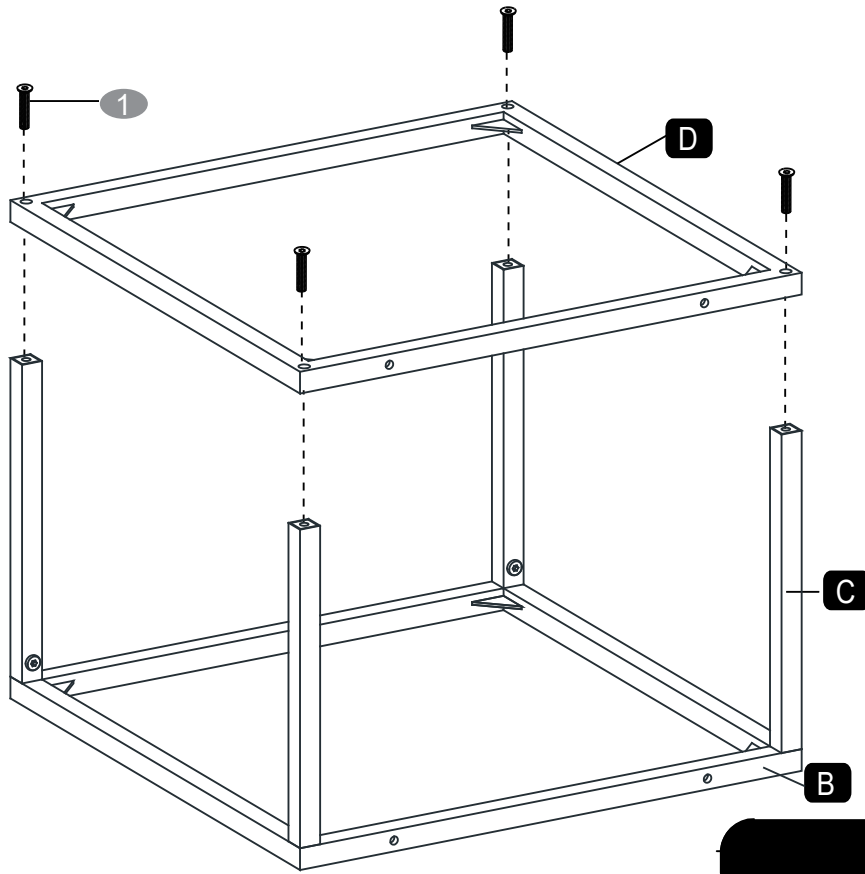




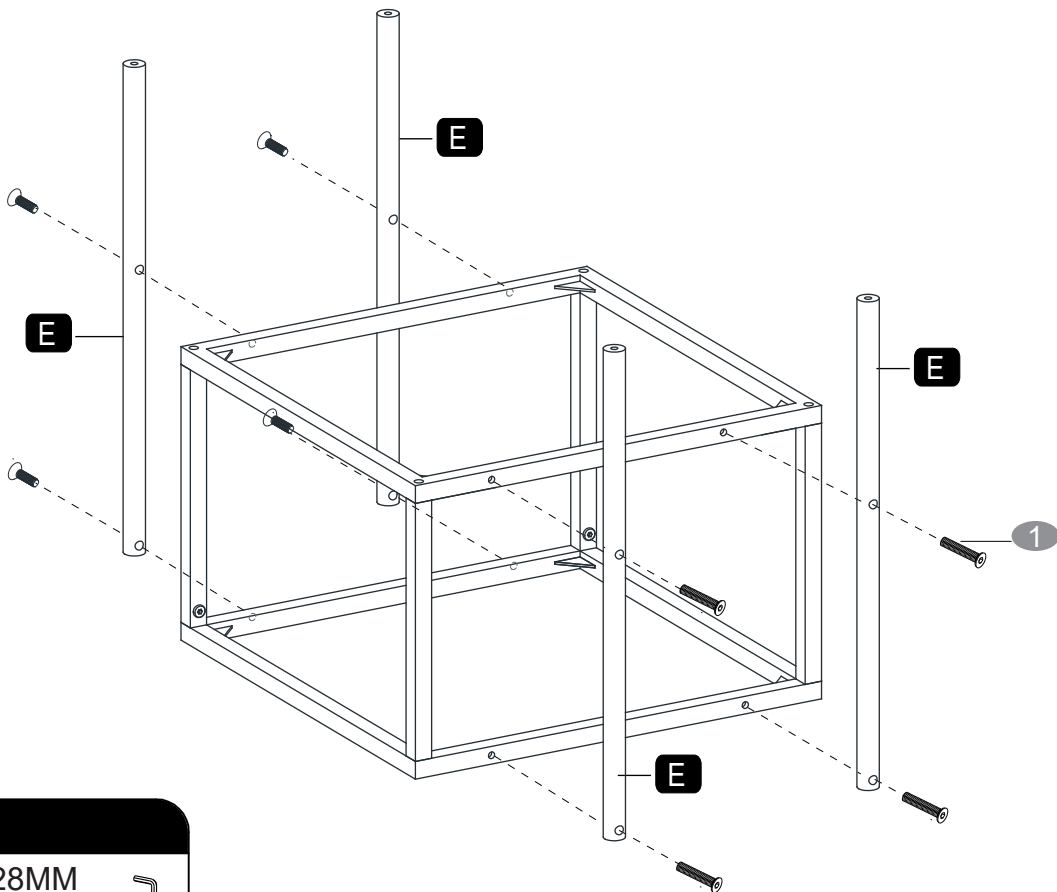
2 M6X12MM X4



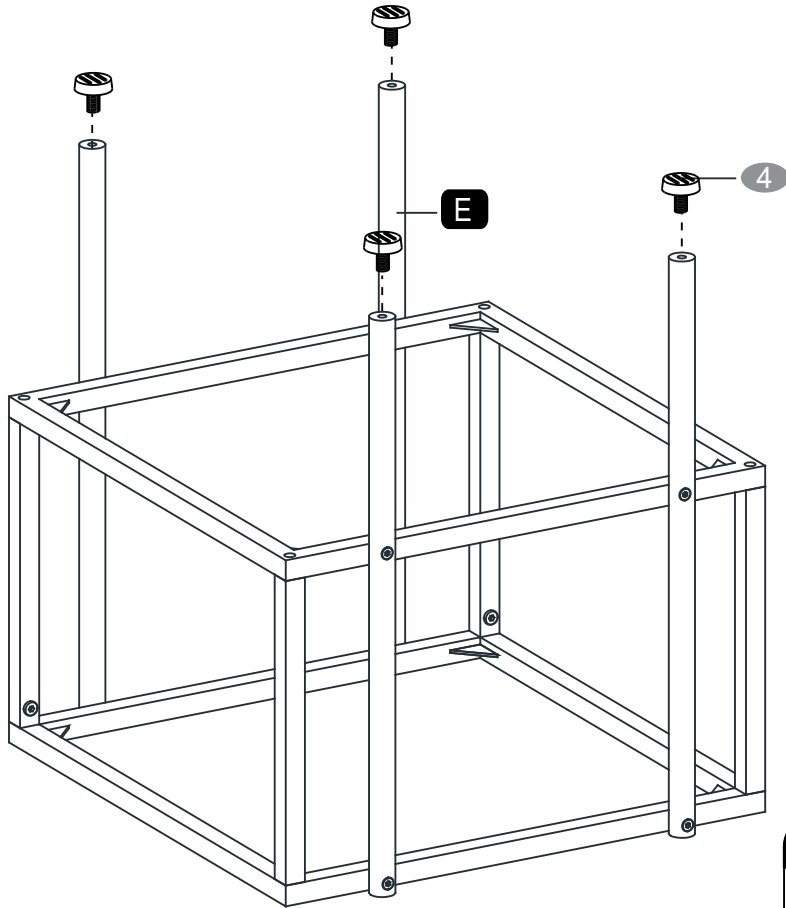
This block contains a legend for the assembly step. It shows the number '2' next to the text 'M6X12MM', indicating that four screws of this size are required. Below the text is a drawing of a screw and a hex key. The label 'X4' indicates that four screws are needed.



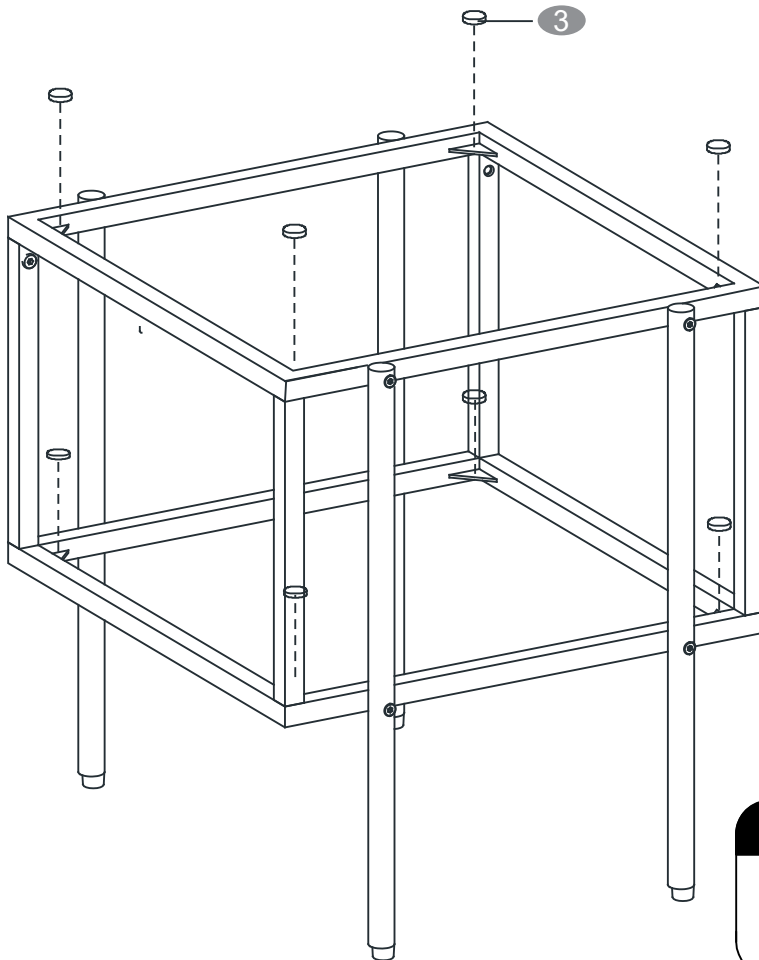
1 M6X28MM X4



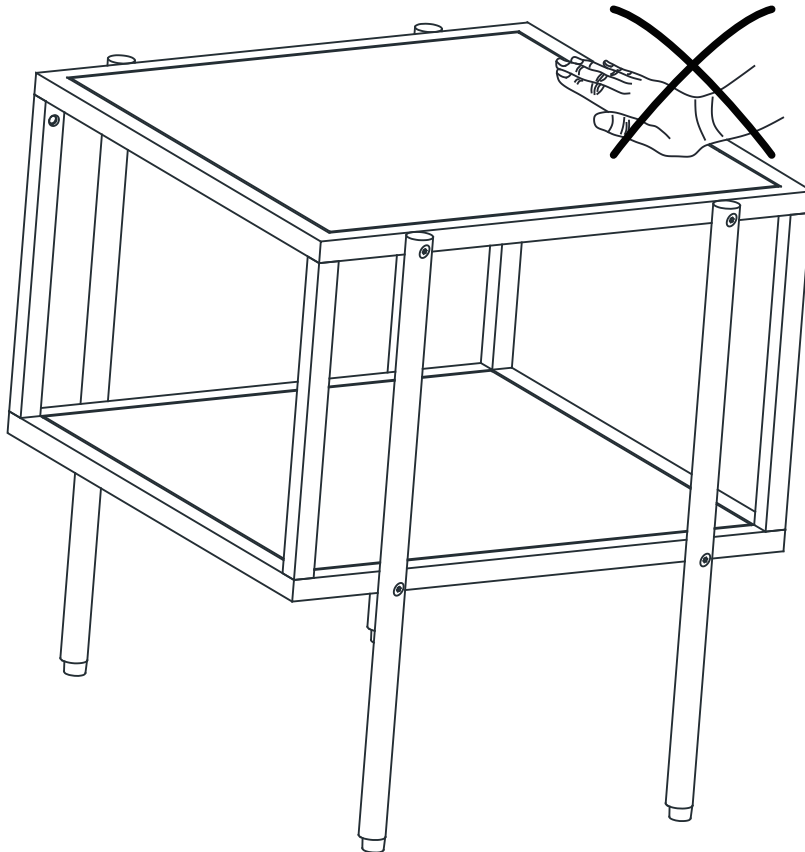
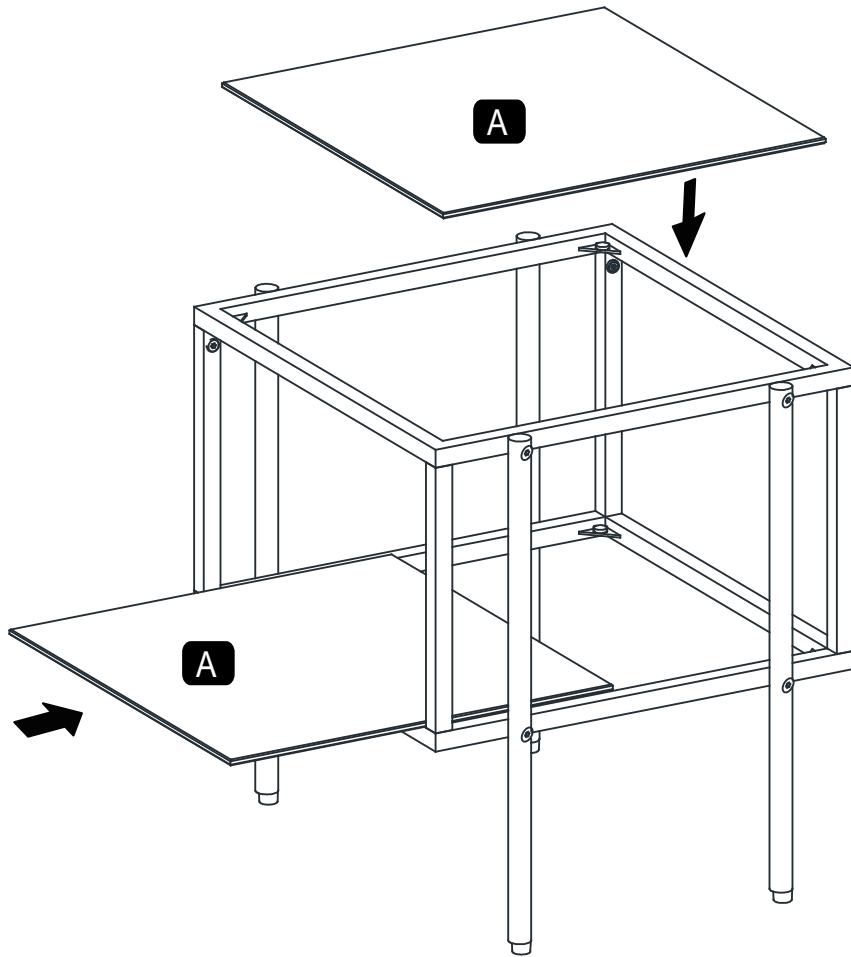
1 M6X28MM X8



4 18X7MM
X4



3 12X3MM
X8





FR

**Pensez à
donner ou recycler.**



Association

ou



Magasin

ou



Déchèterie

<https://quefairedemesdechets.fr>