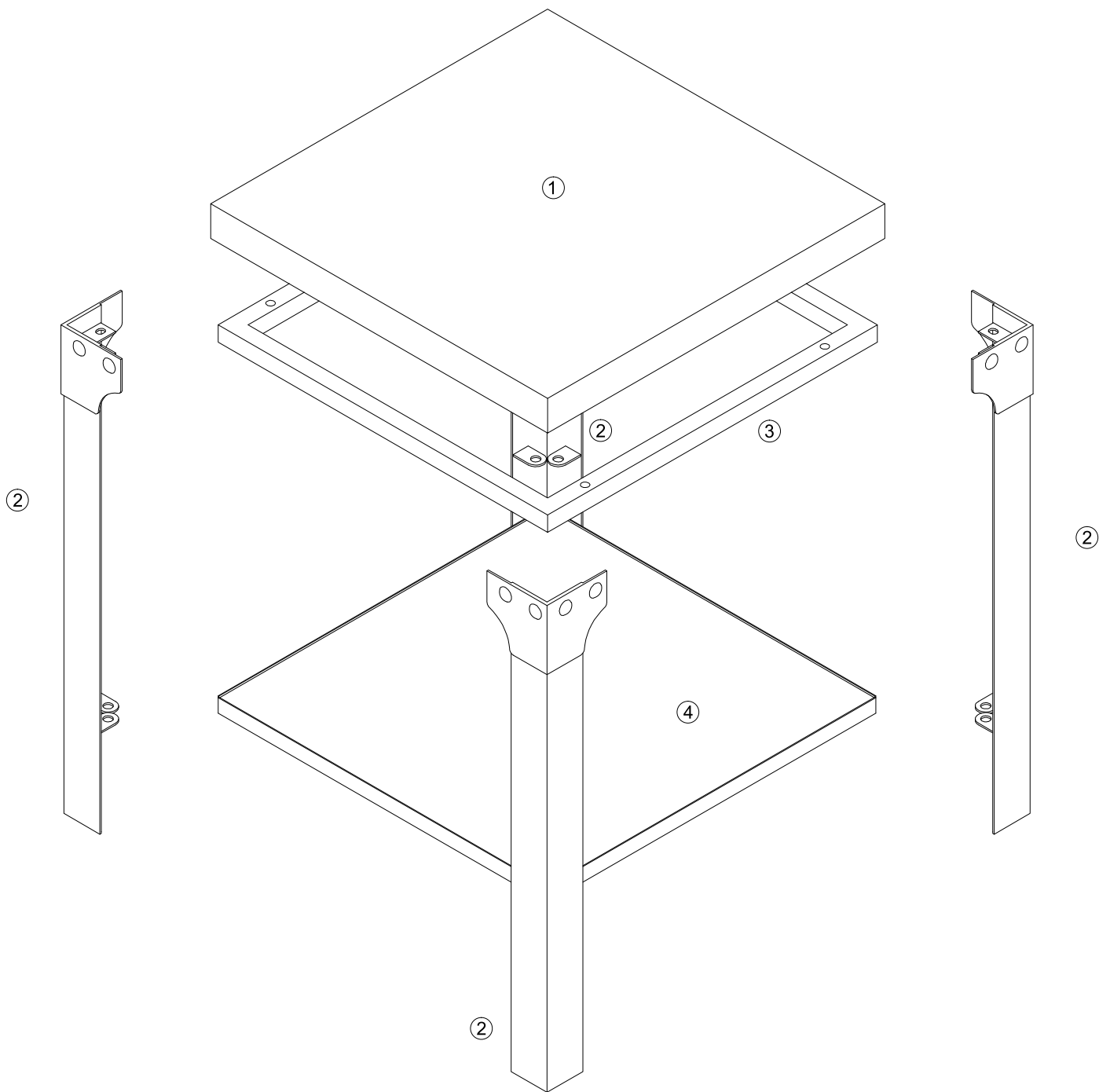
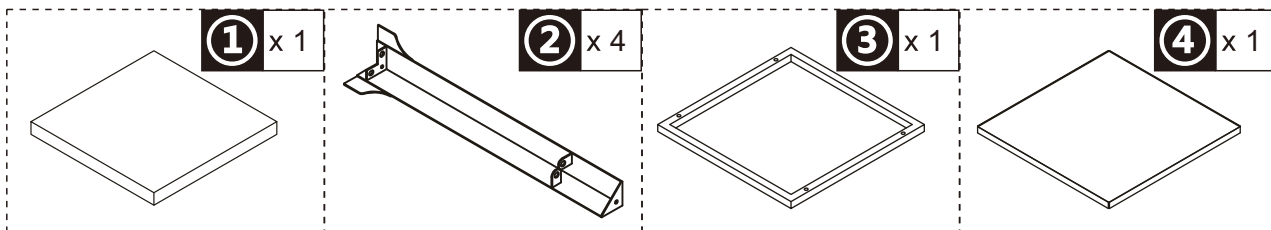


IMPORTANT, RETAIN FOR FUTURE REFERENCE: READ CAREFULLY

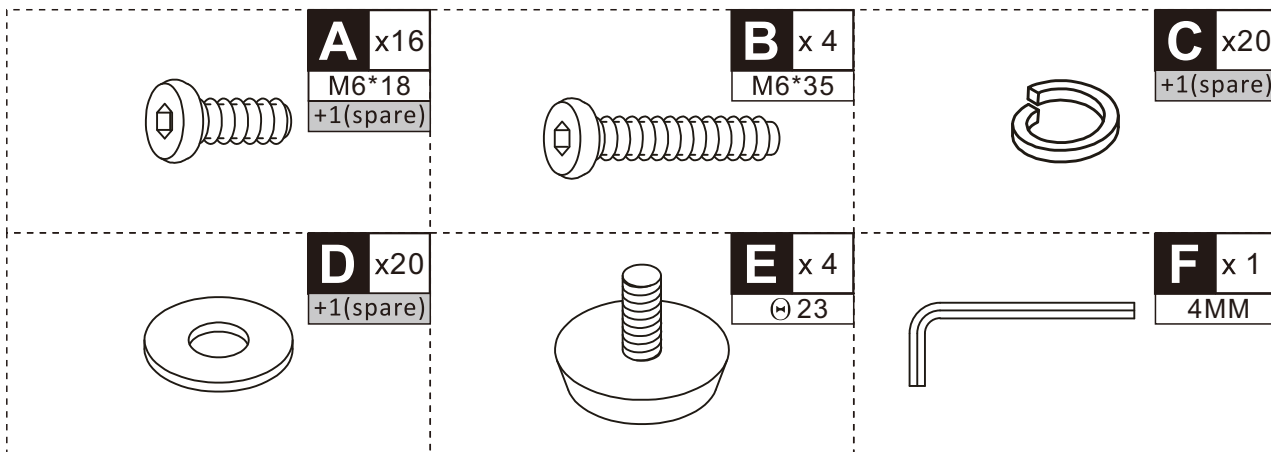
# ASSEMBLY & INSTRUCTION MANUAL



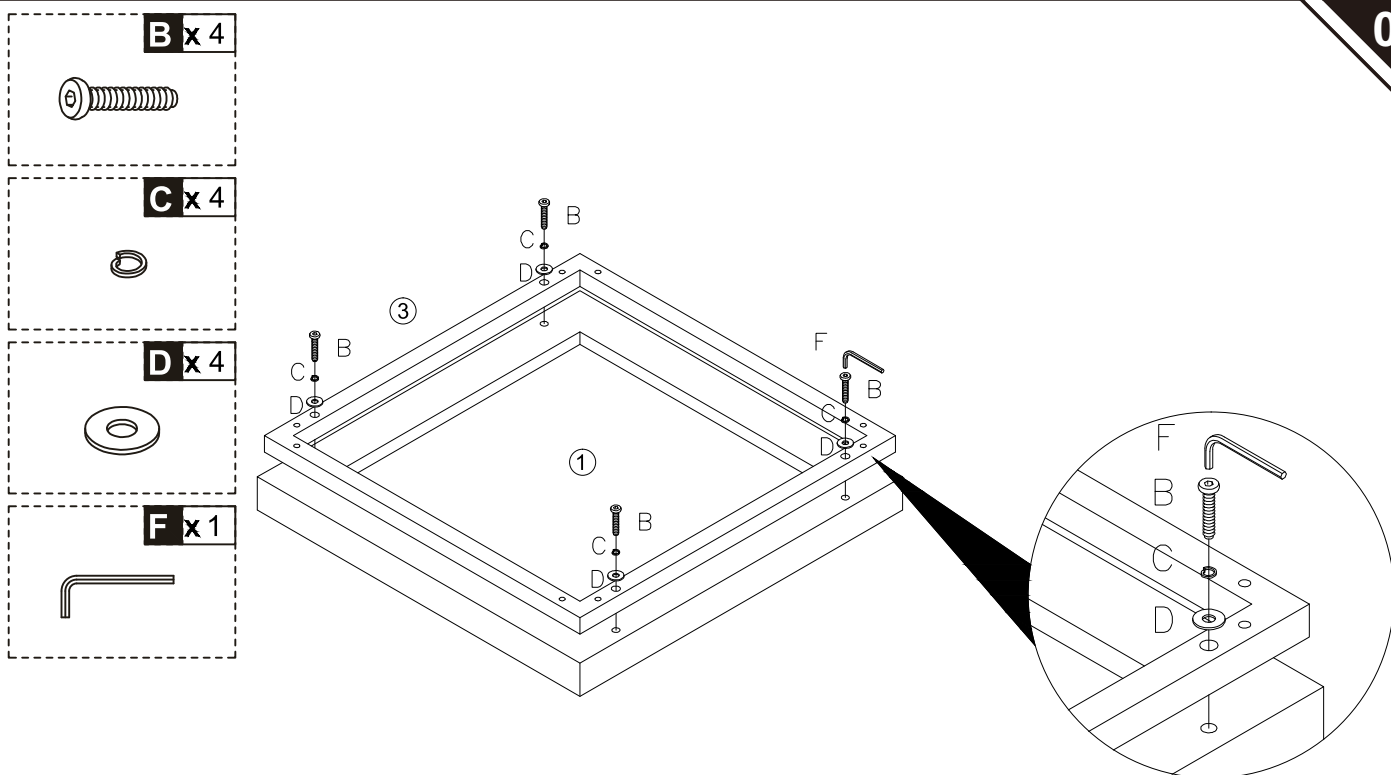
**PARTS**



**HARDWARE**



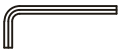
**01**



A x16



F x1



C x16



D x16



E x4

