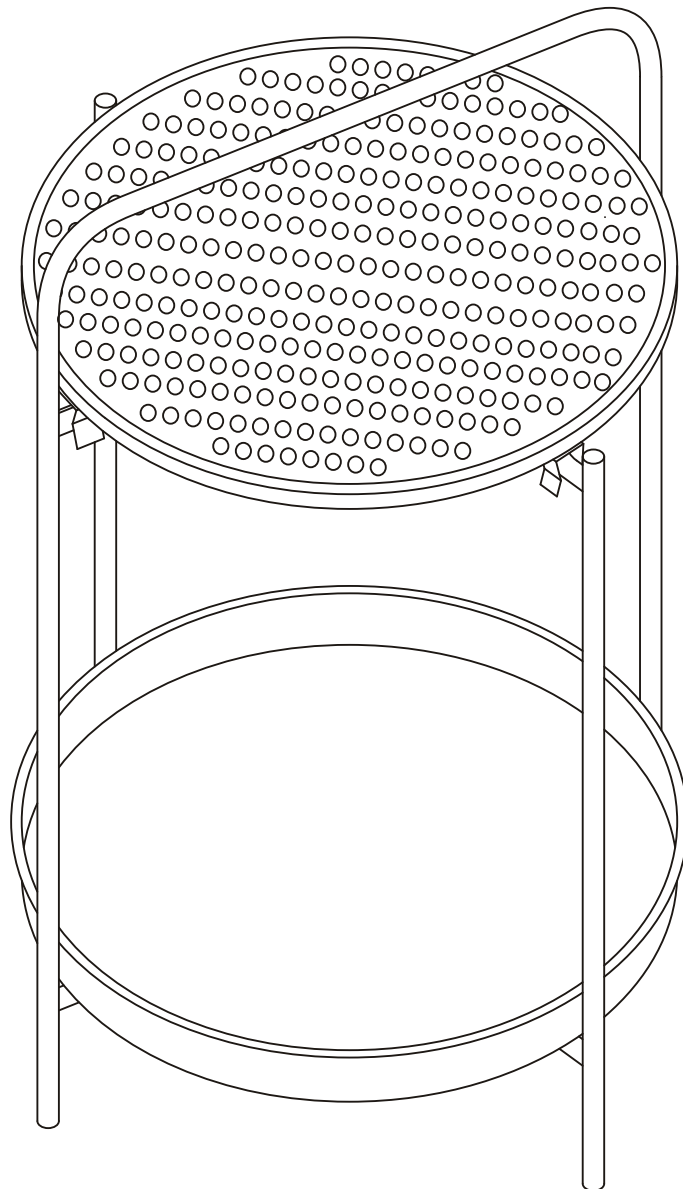




INcgb180\_US\_CA\_UK\_ES\_DE\_IT

**839-362**

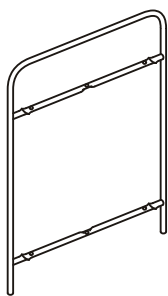


IMPORTANT, RETAIN FOR FUTURE REFERENCE: READ CAREFULLY

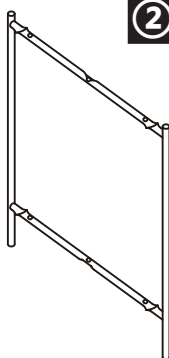
# ASSEMBLY INSTRUCTION

**PARTS**

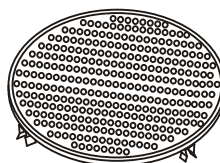
**1** x 1



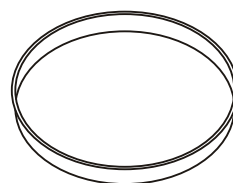
**2** x 1



**3** x 1

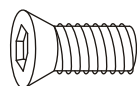


**4** x 1

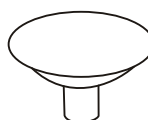


**HARDWARE**

**A** x 2  
M6\*12  
+1 (spare)



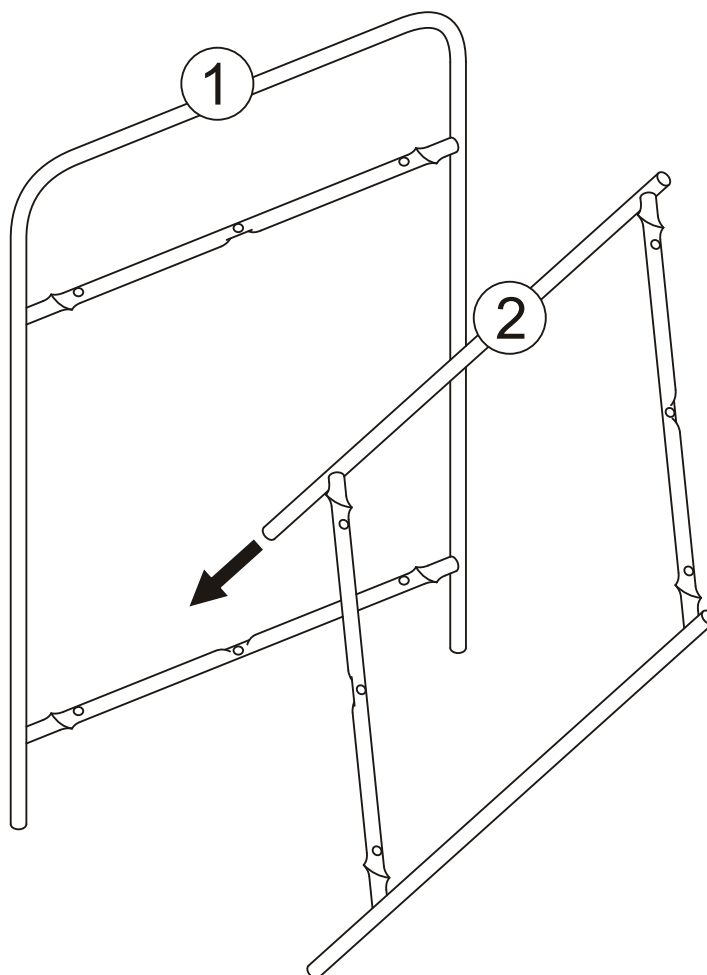
**B** x 4  
+4 (spare)



**C** x 1



**01**



A x 2  
M6\*12

