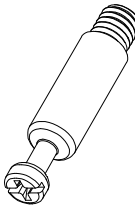

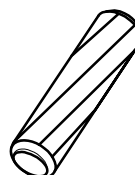
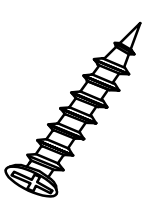
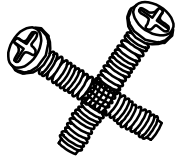
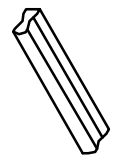
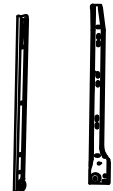

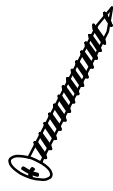
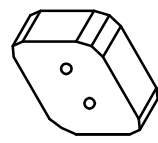
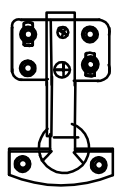
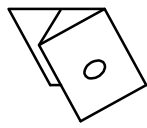
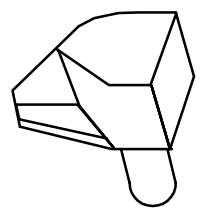
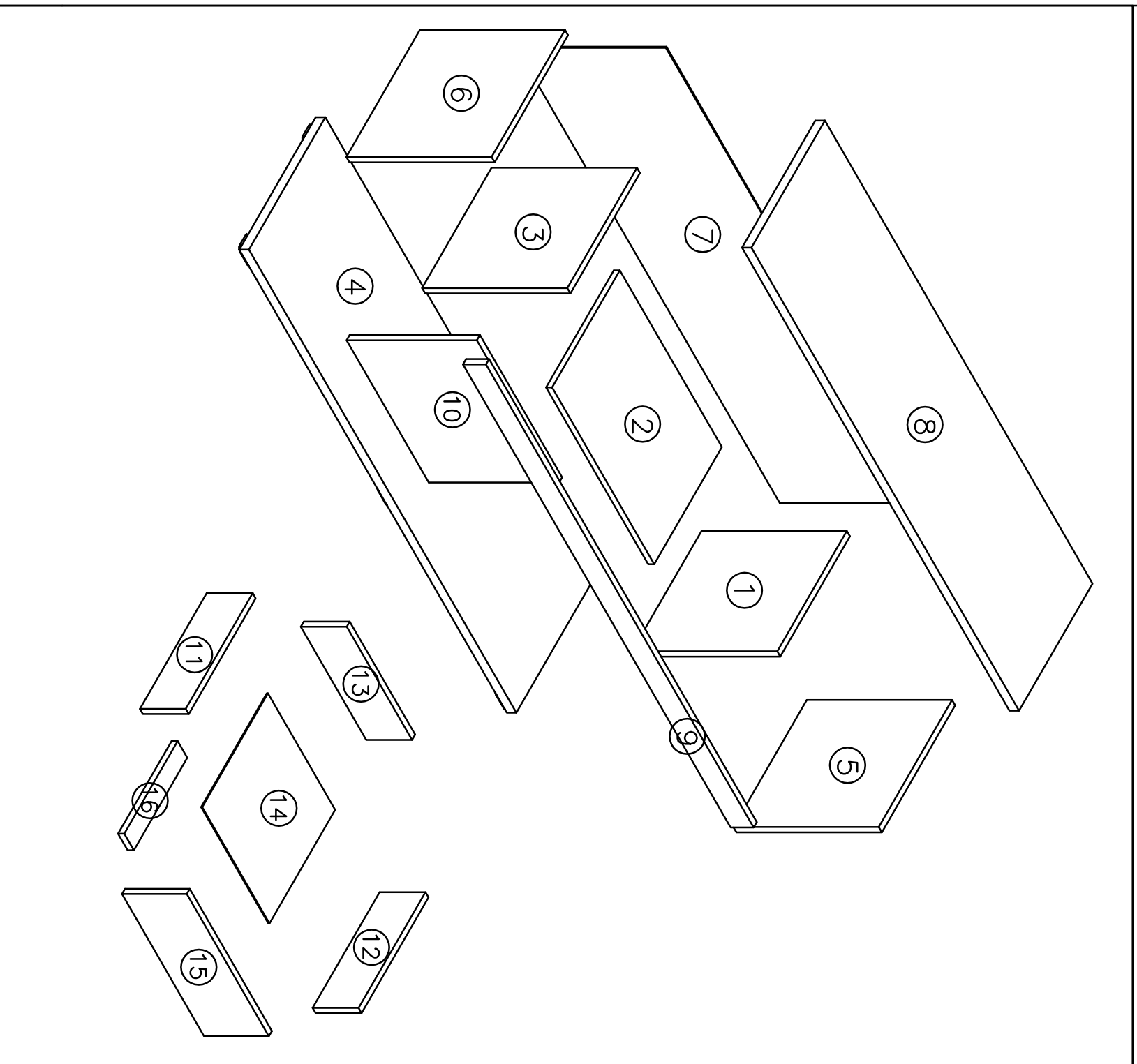


<p>A</p>  <p>28PCS</p>	<p>B</p>  <p>28PCS</p>	<p>C</p>  <p>12PCS</p>
<p>D</p>  <p>$\phi 3.5*16$</p> <p>32PCS</p>	<p>E</p>  <p>6PCS</p>	<p>F</p>  <p>3PCS</p>
<p>G</p>  <p>4PCS</p>	<p>H</p>  <p>$\phi 3.5*30$</p> <p>8PCS</p>	<p>J</p>  <p>$\phi 4*25$</p> <p>12PCS</p>
<p>K</p>  <p>6PCS</p>	<p>L</p>  <p>2PCS</p>	<p>M</p>  <p>4PCS</p>
<p>N</p>  <p>4PCS</p>		

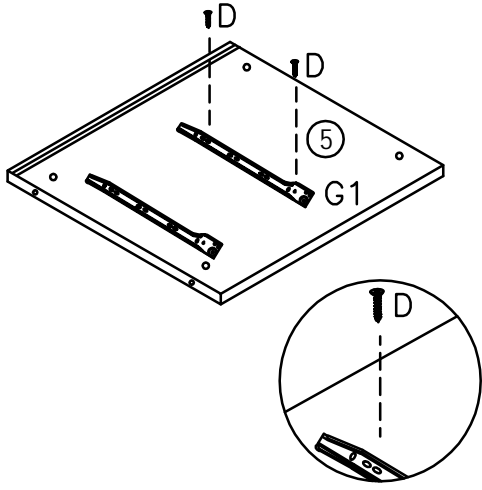
Parts list



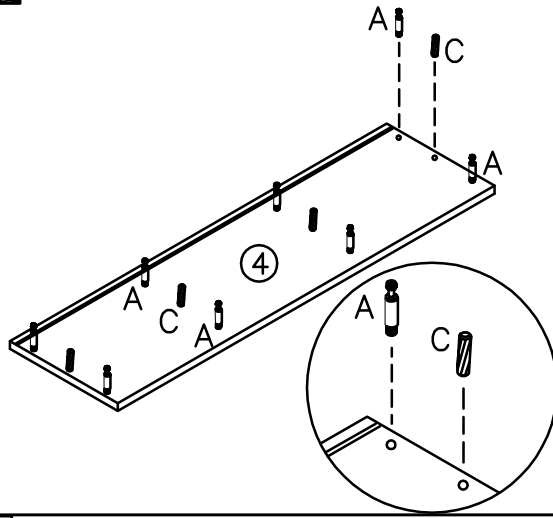
NO.	Name	Qty(PCS)
1	Vertical board	1
2	Shelf	1
3	Vertical board	1
4	Bottom board	1
5	Right side board	1
6	Left side board	1
7	Back board	1
8	Top board	1
9	Bar	1
10	Door board	1
11	Left side board of drawer	2
12	Right side board of drawer	2
13	Back board of drawer	2
14	Bottom board of drawer	2
15	Face board of drawer	2
16	Bar	2

HARDWARE LIST

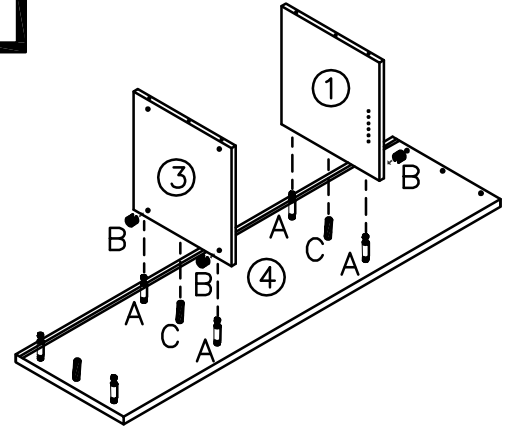
1



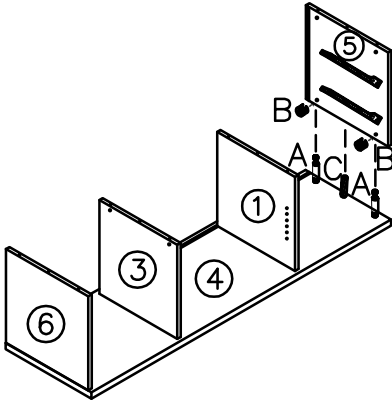
2



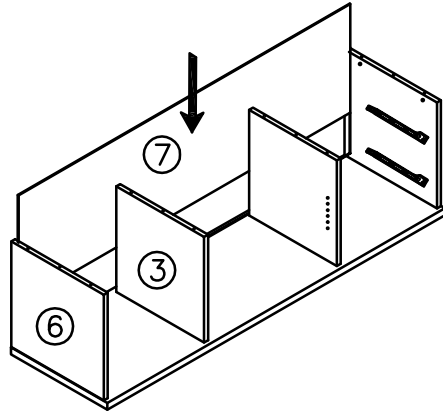
3



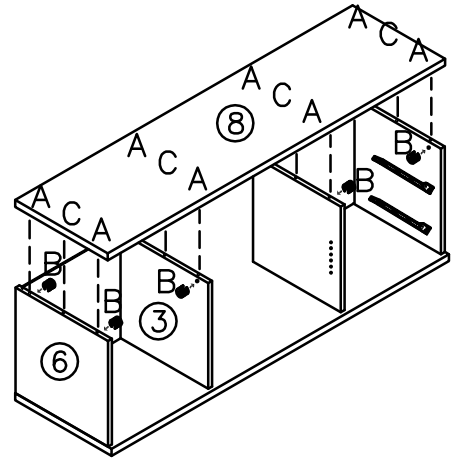
4



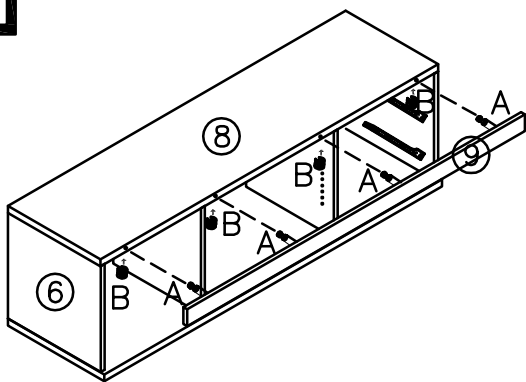
5



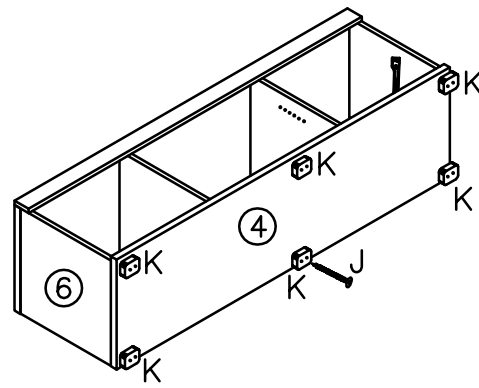
6



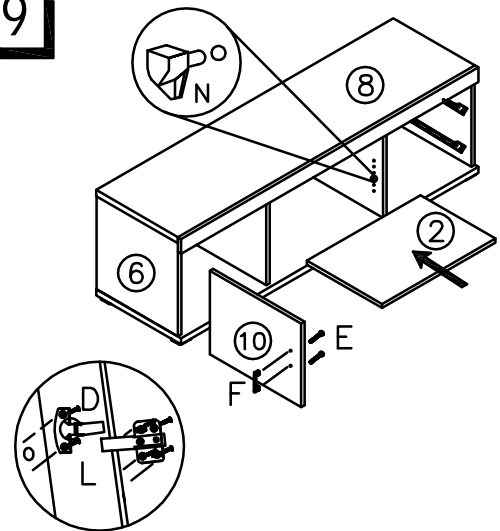
7



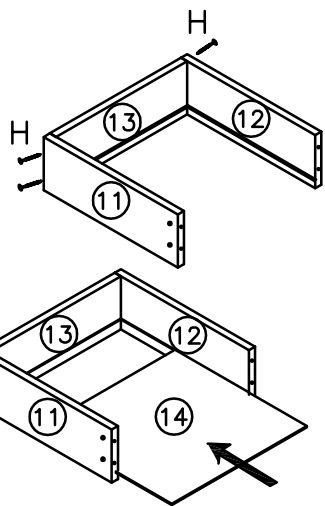
8



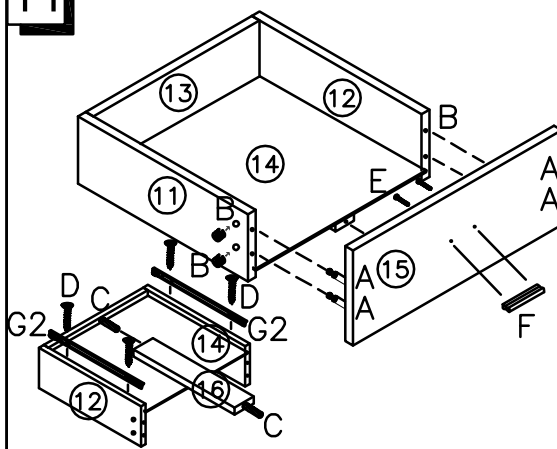
9



10



11



12

