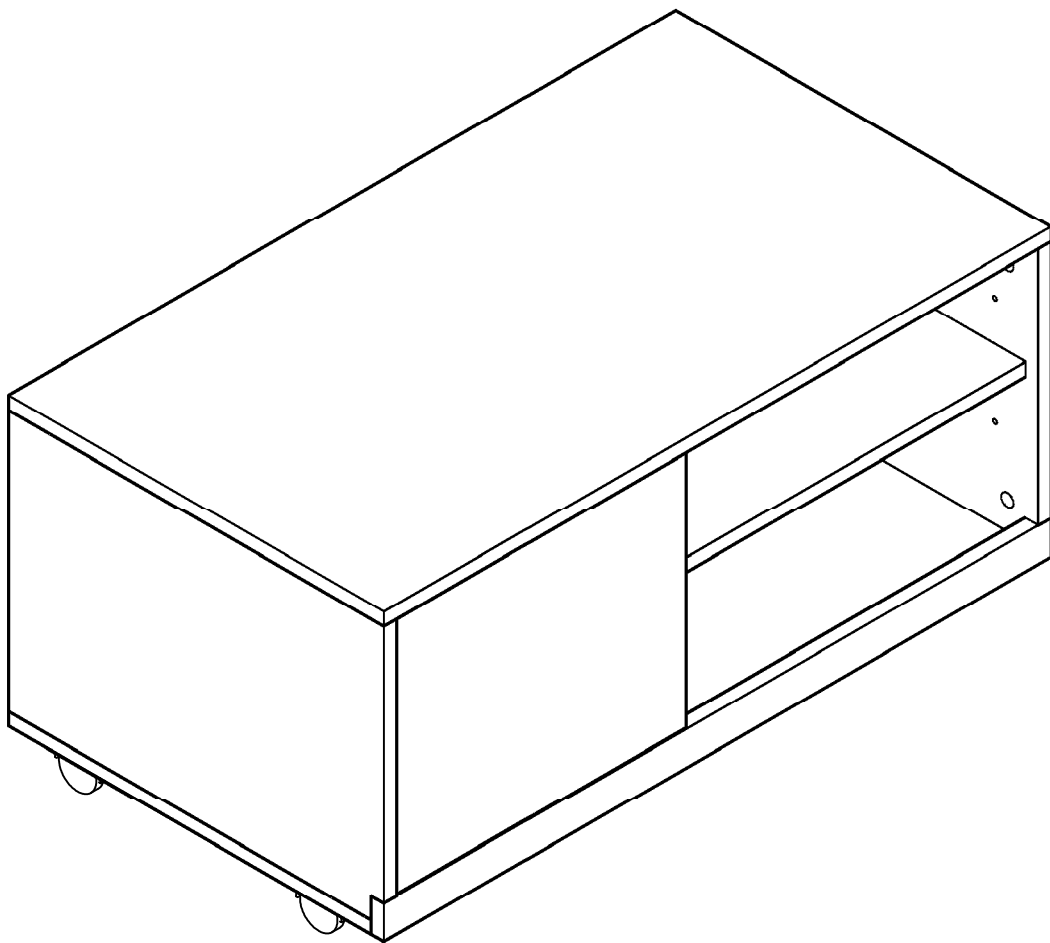


INcgc058_GL

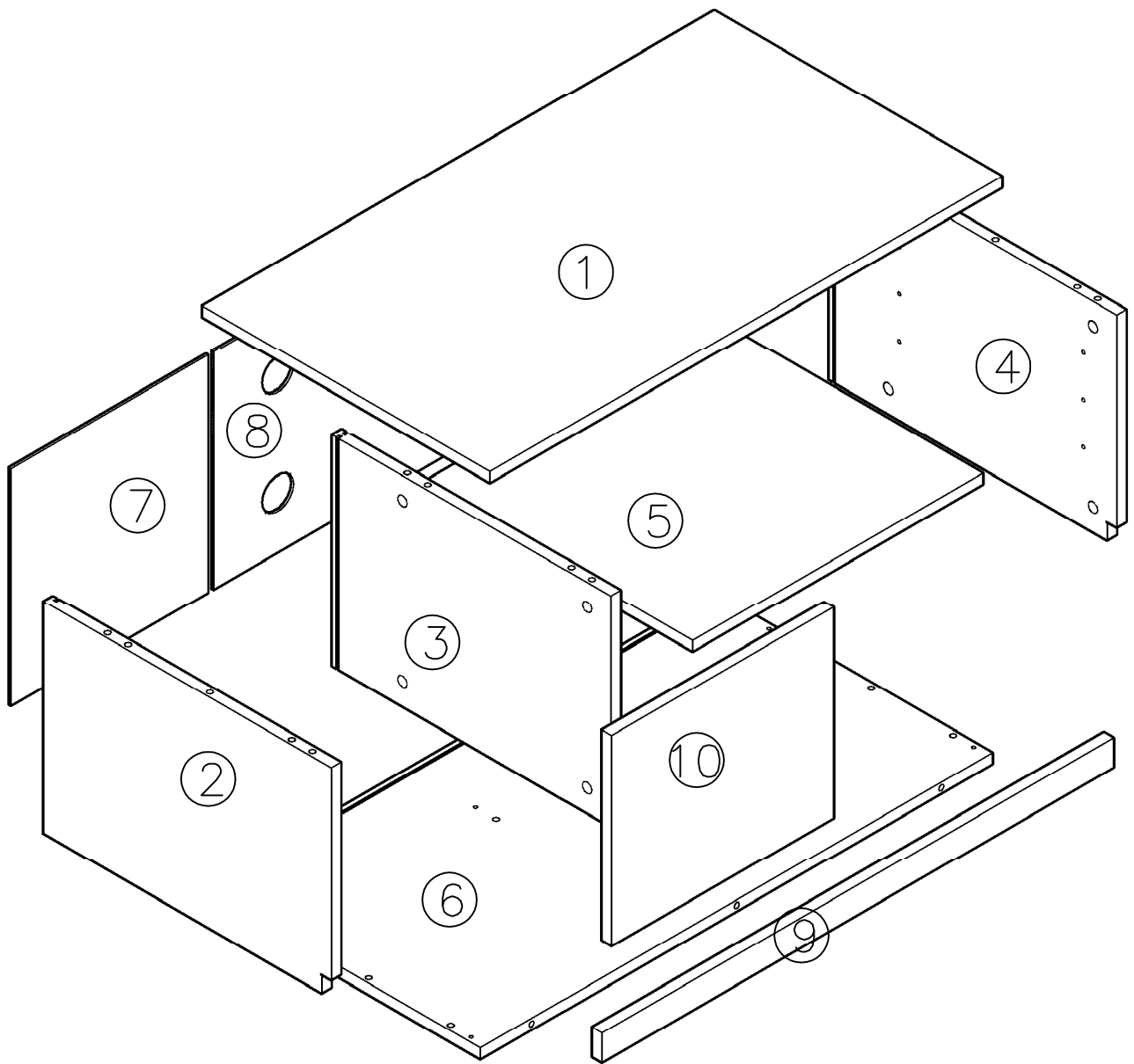
833-948

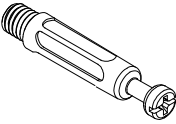
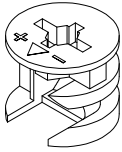
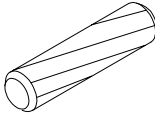

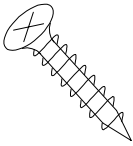
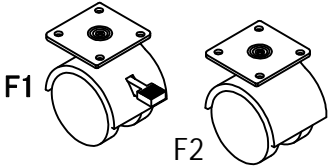
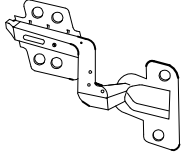
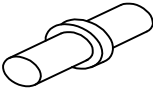


Please read these instructions and warranty information carefully before use and keep them properly for future reference.

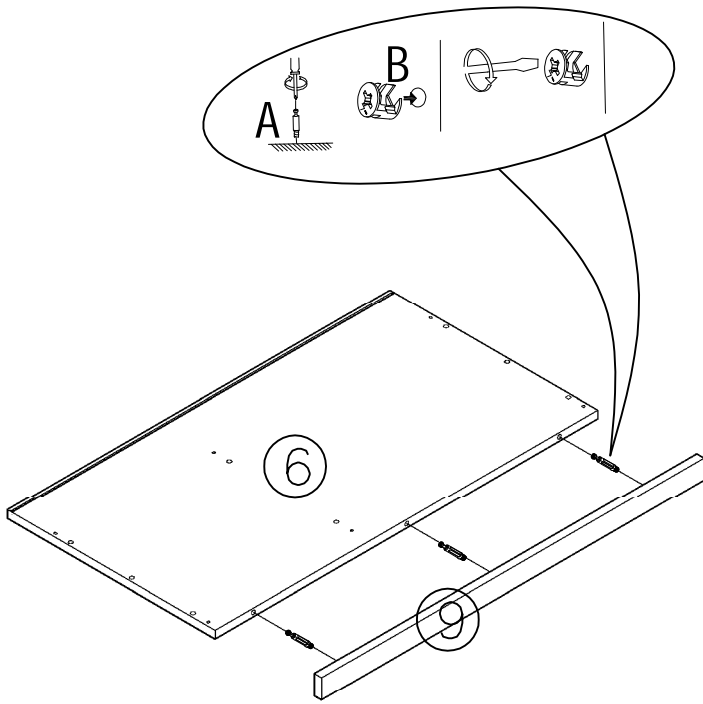
OPERATING INSTRUCTIONS

Parts and Accesorries



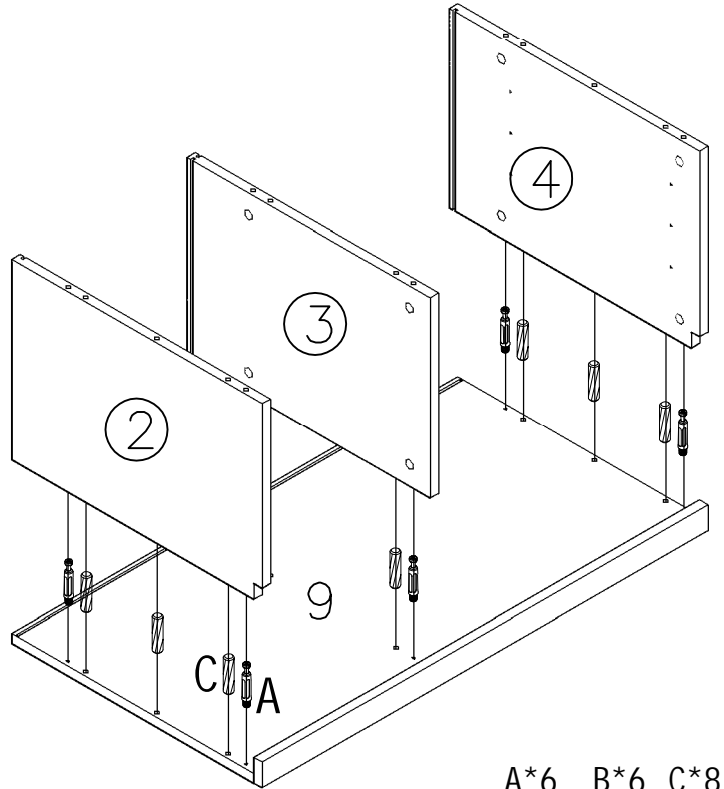
A 15pcs 	B 15pcs 	C 16pcs 	D 15pcs 
E 28pcs 	F 4pcs 	G 2pcs 	H 4pcs 

1



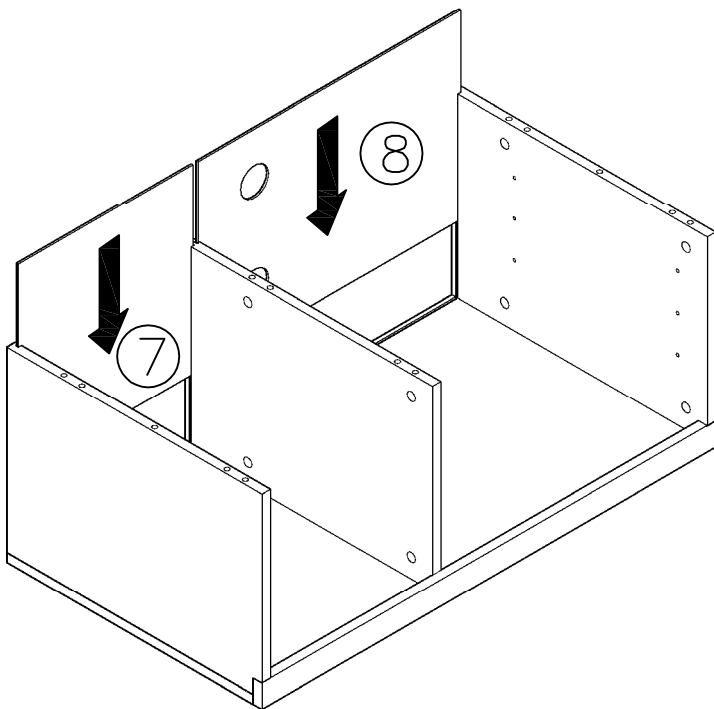
A*3 B*3

2

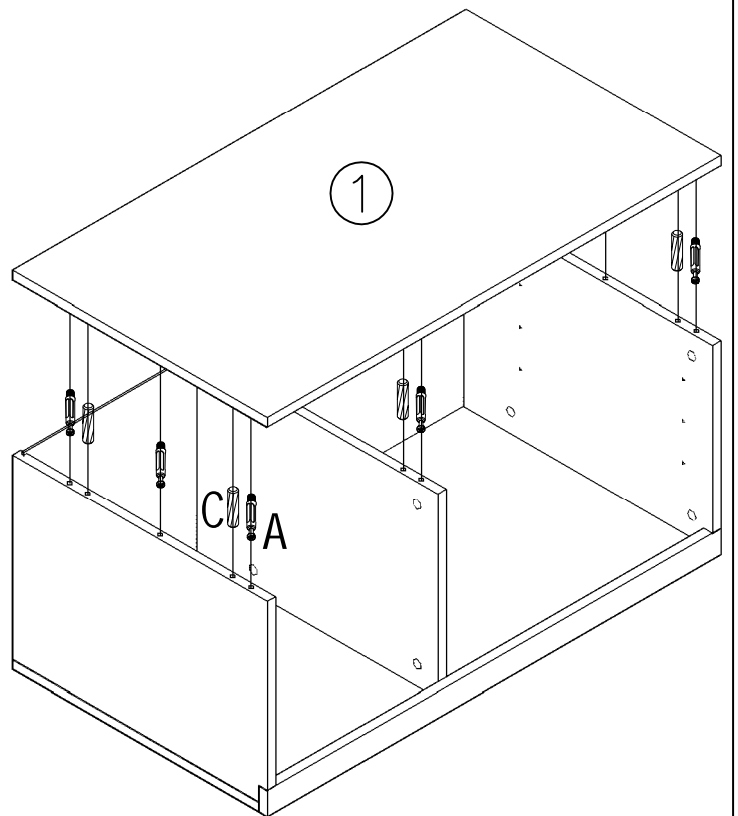


A*6 B*6 C*8

3

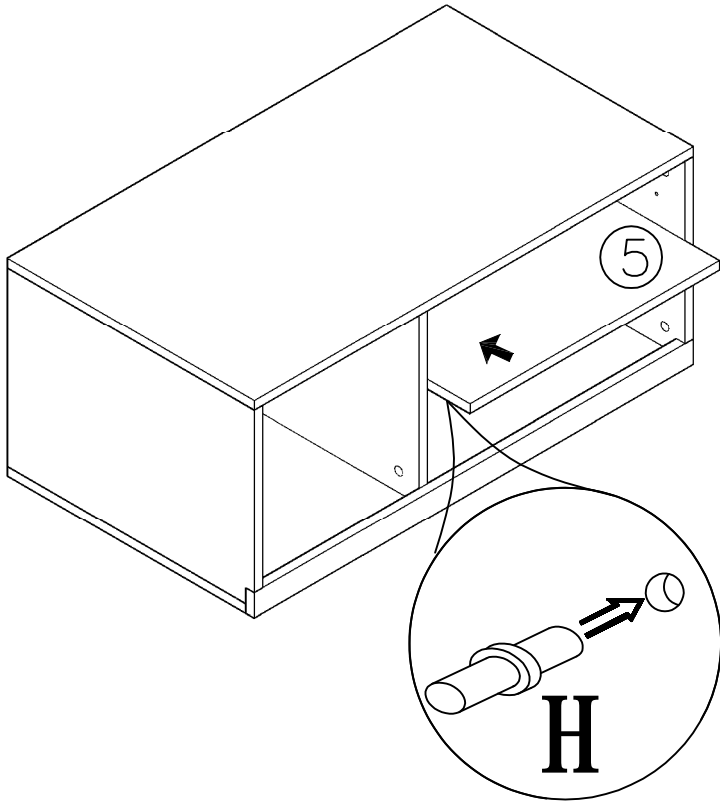


4



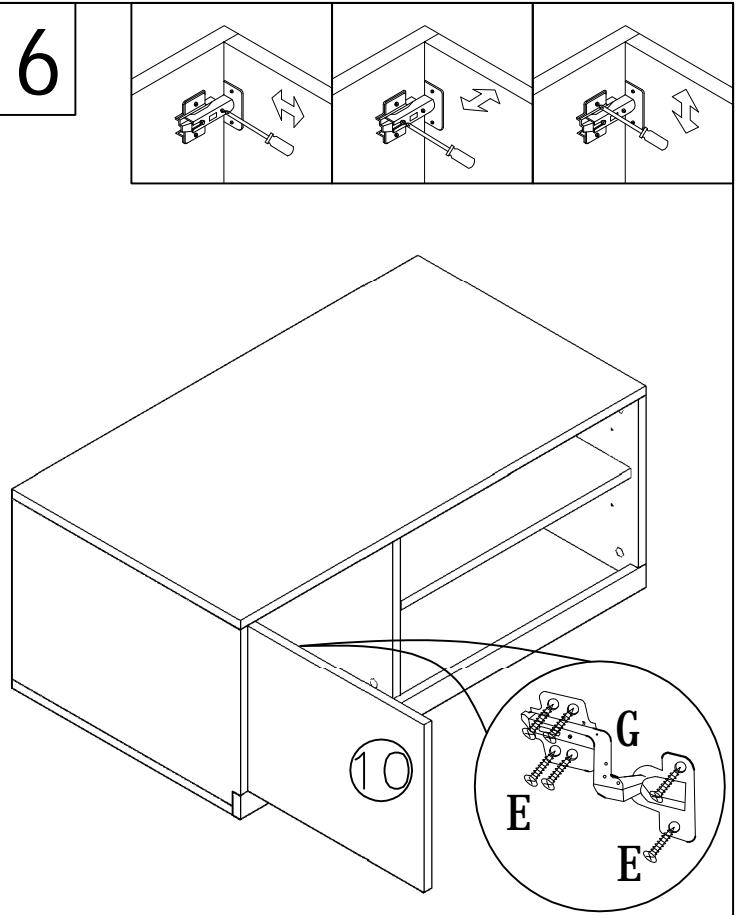
A*6 B*6 C*8

5



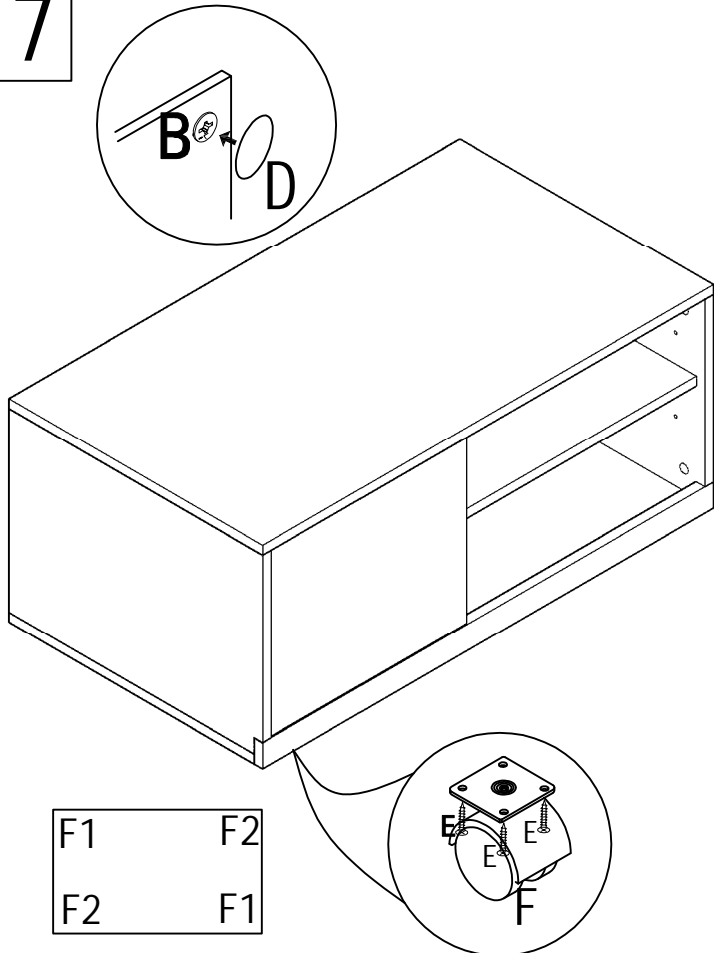
H*4

6



E*12 G*2

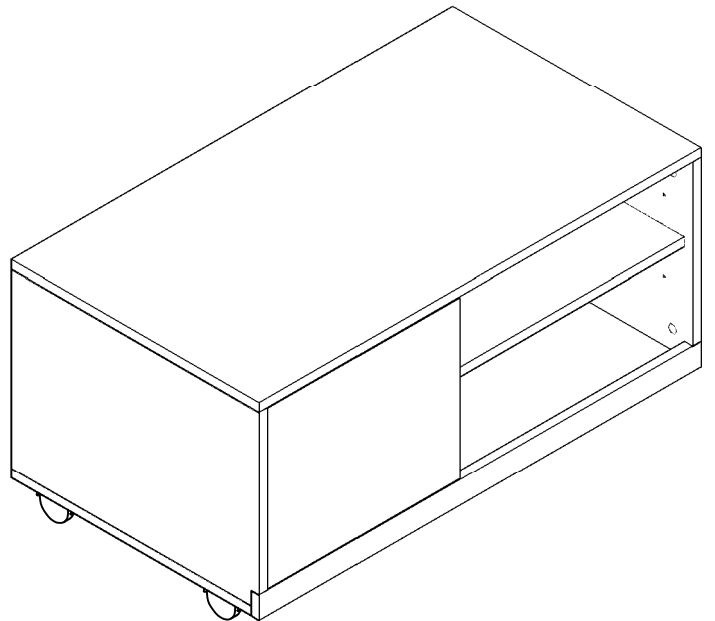
7



D*15 E*16 F*4

8

FINISH



US



001-877-644-9366
customerservice@aosom.com

CA



001-855-537-6088
customerservice@aosom.ca

UK



0044-800-240-4004
enquiries@mhstar.co.uk

DE



0049-(0)40-88307530
service@aosom.de

FR



0033-1-84166106
contact@aosom.fr

ES



0034-931294512
atencioncliente@aosom.es

IT



0039-0249471447
clienti@aosom.it