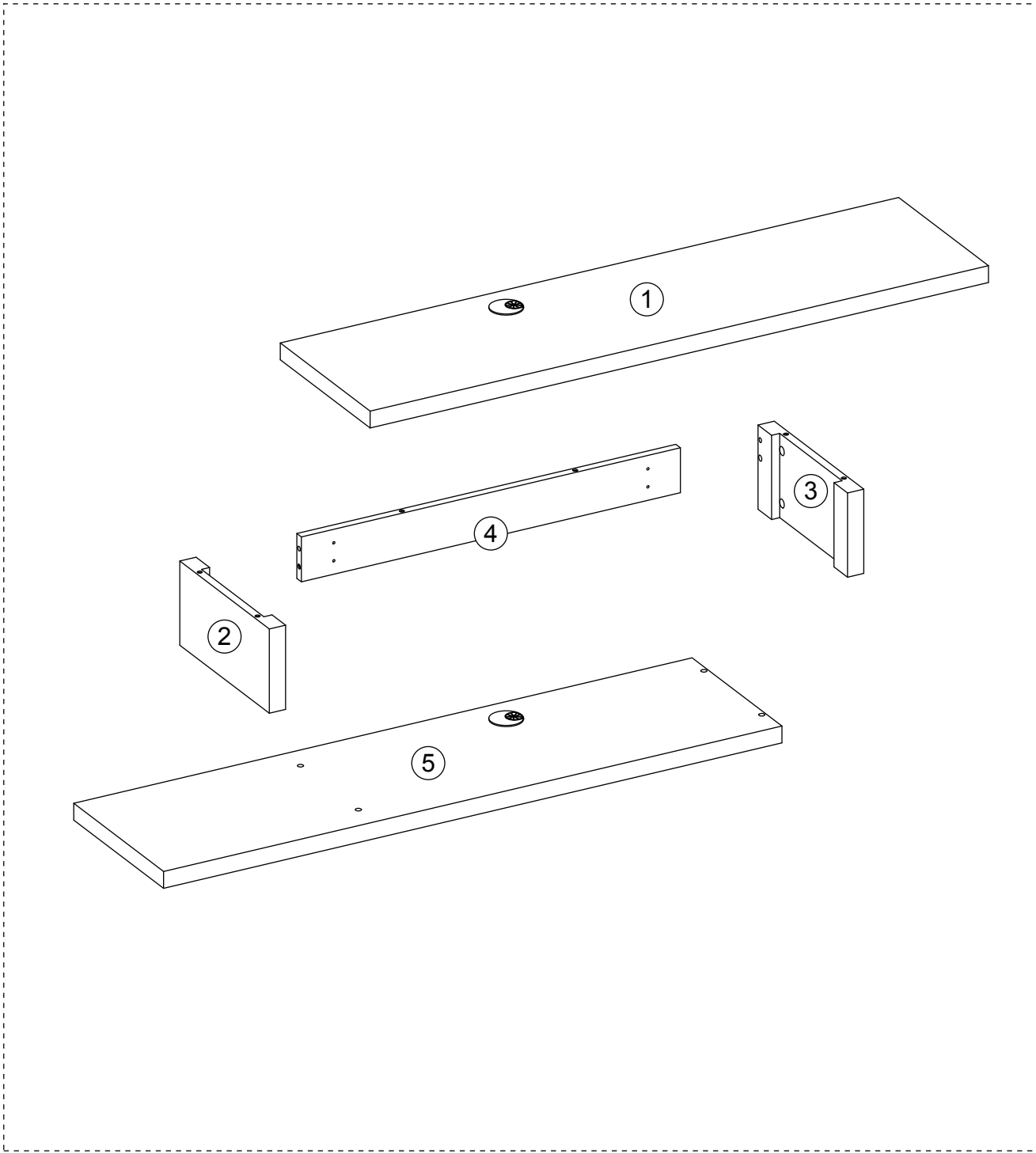
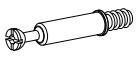


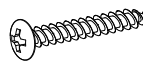
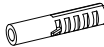


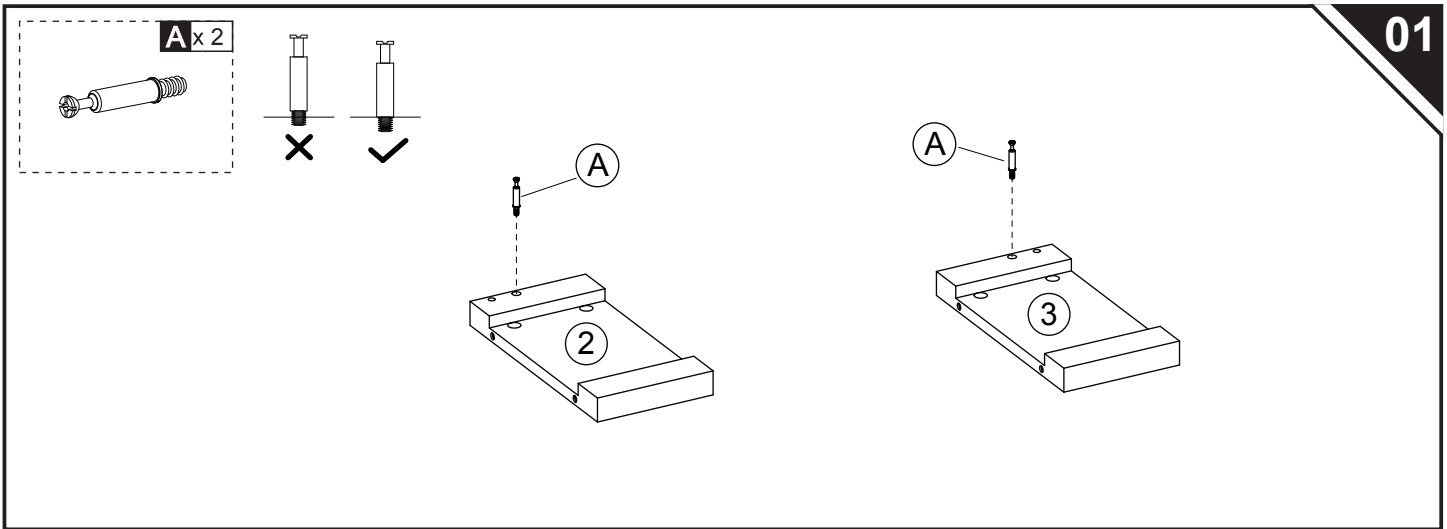
READ AND SAVE THIS INSTRUCTIONS FOR FUTURE USE

ASSEMBLY & INSTRUCTION MANUAL

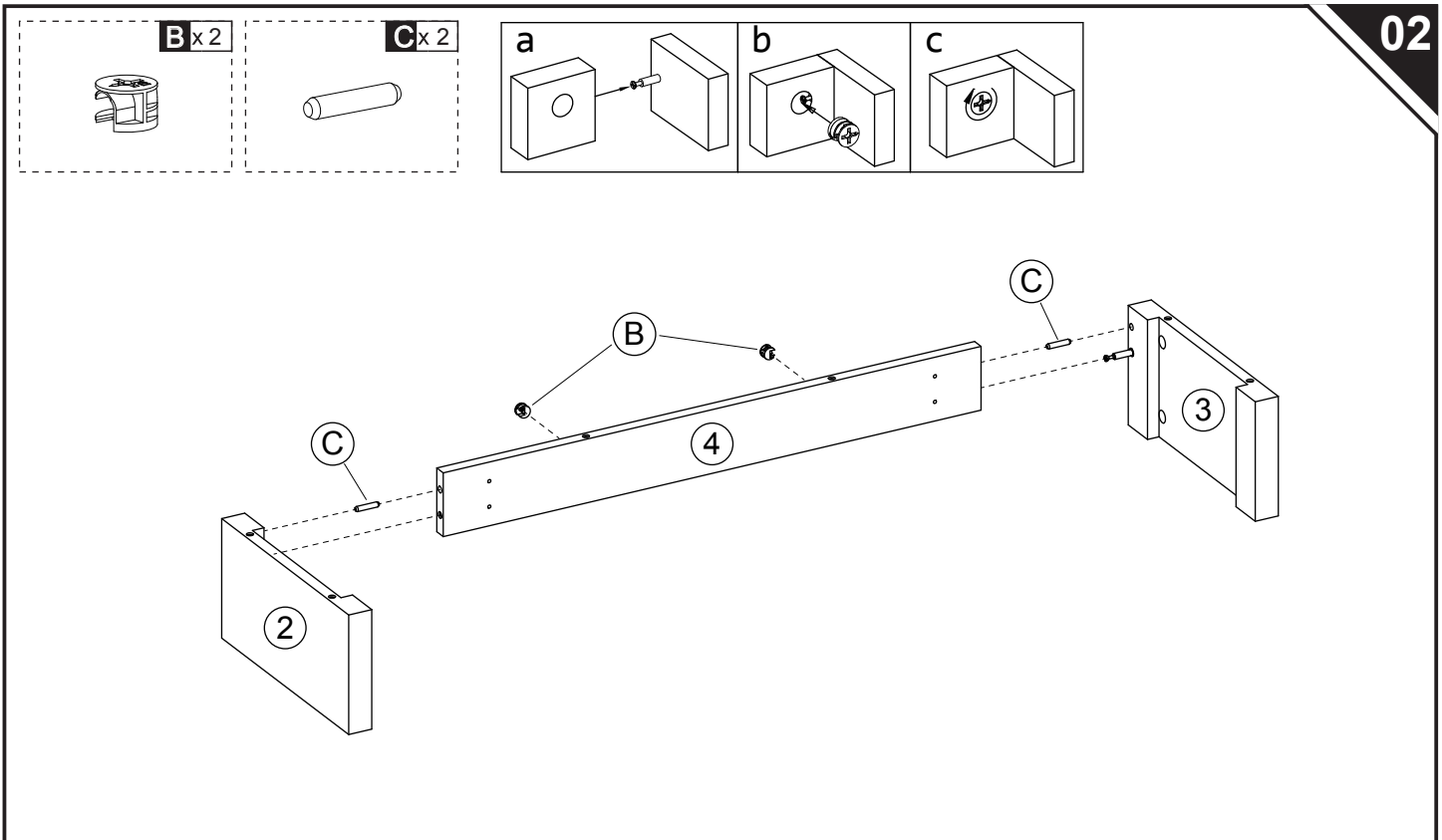


<p>A x12</p> 	<p>B x12</p> 	<p>C x 2</p>  <p>M8*30mm;</p>	<p>D x 4</p>  <p>M4*45mm;</p>	<p>E x 4</p> 		
---	---	---	---	--	--	--

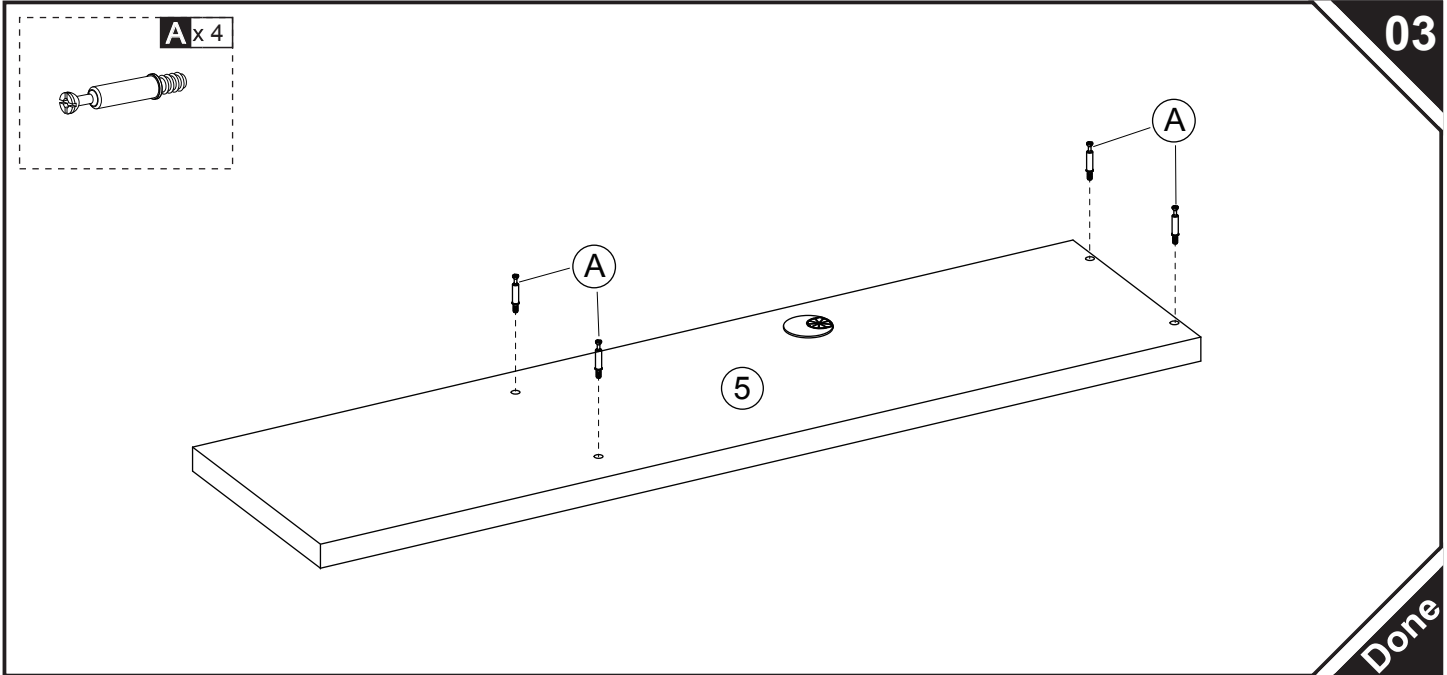
01



02

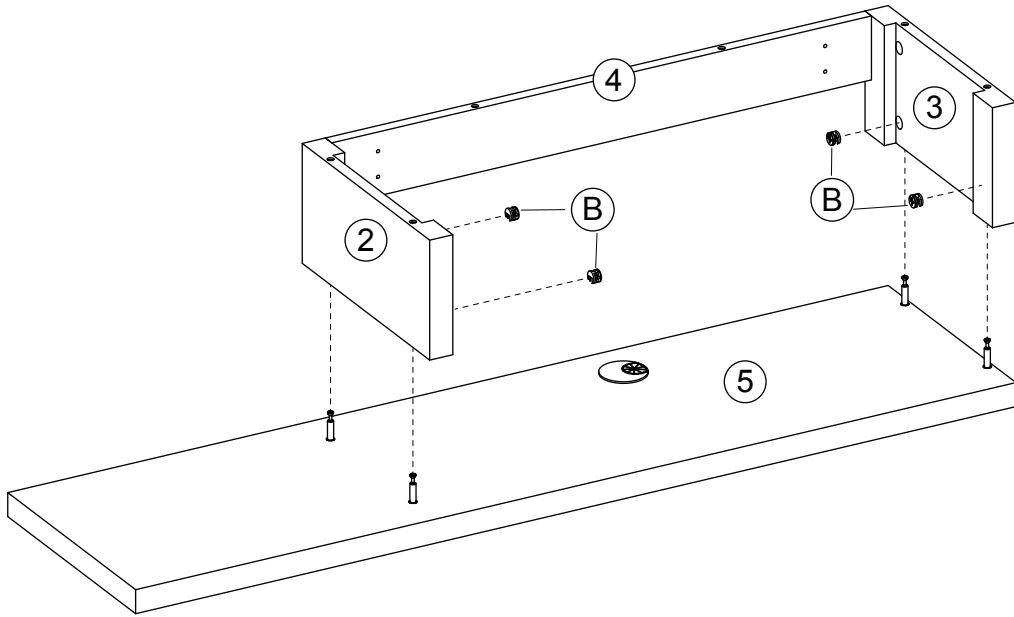


03

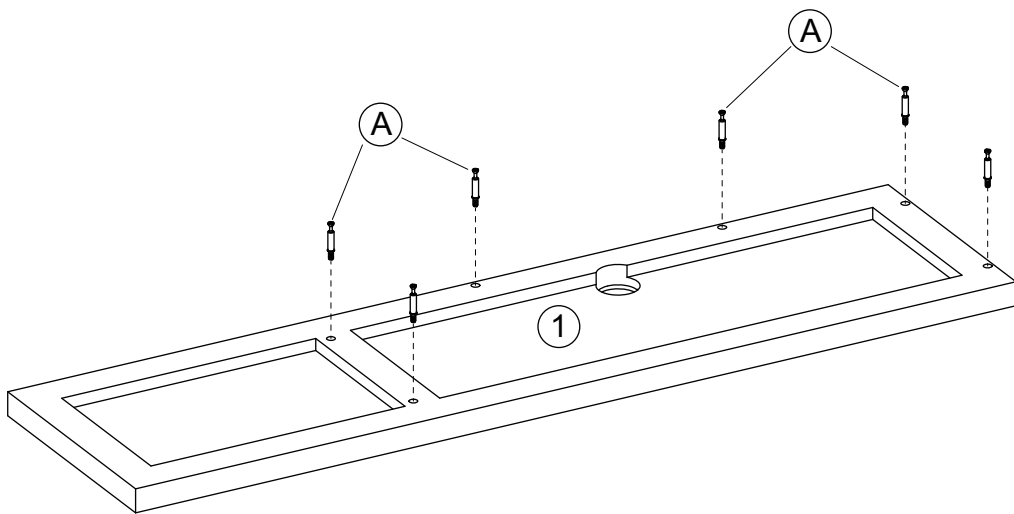
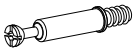


Done

B x 4

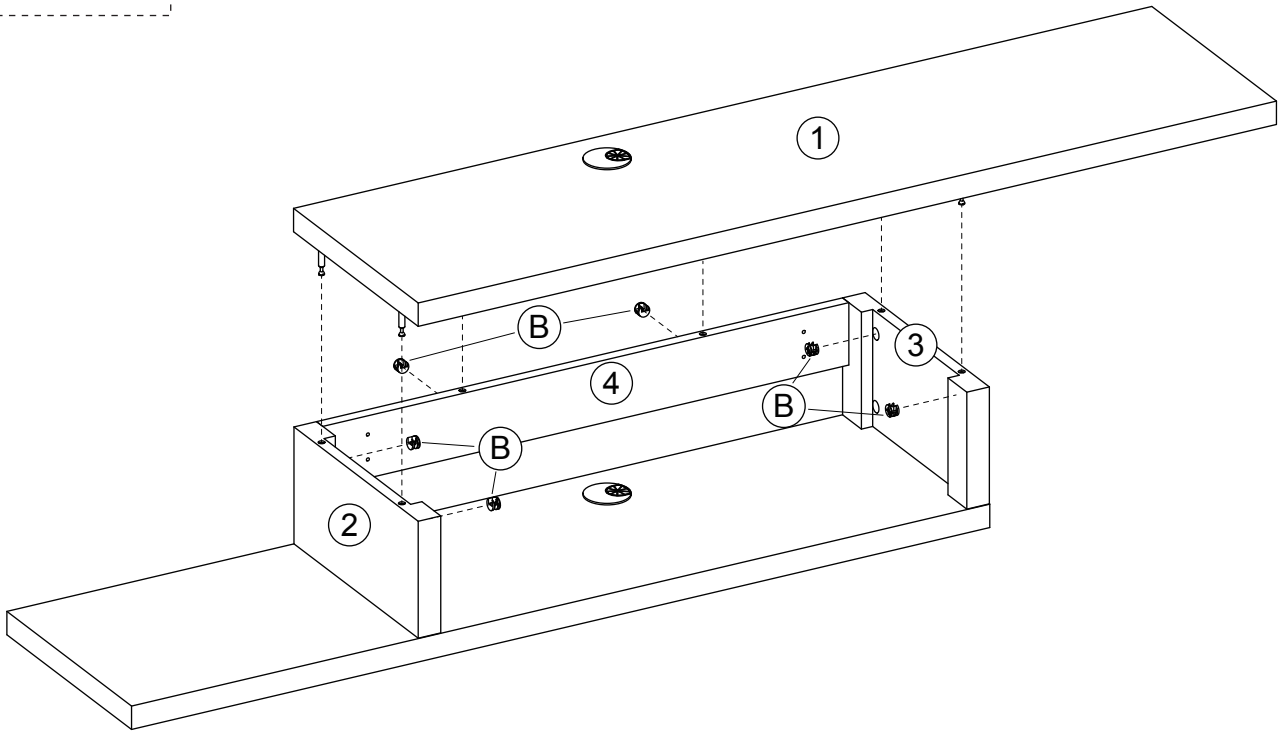


A x 6



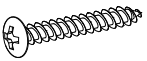
Done

B x 6

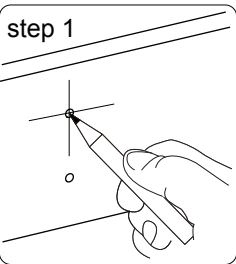


D x 4

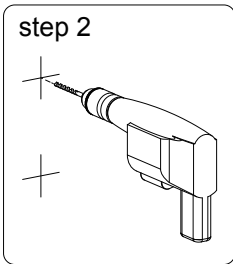
E x 4



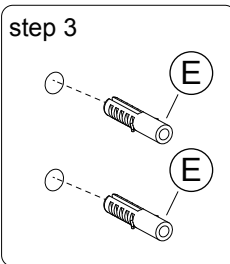
step 1



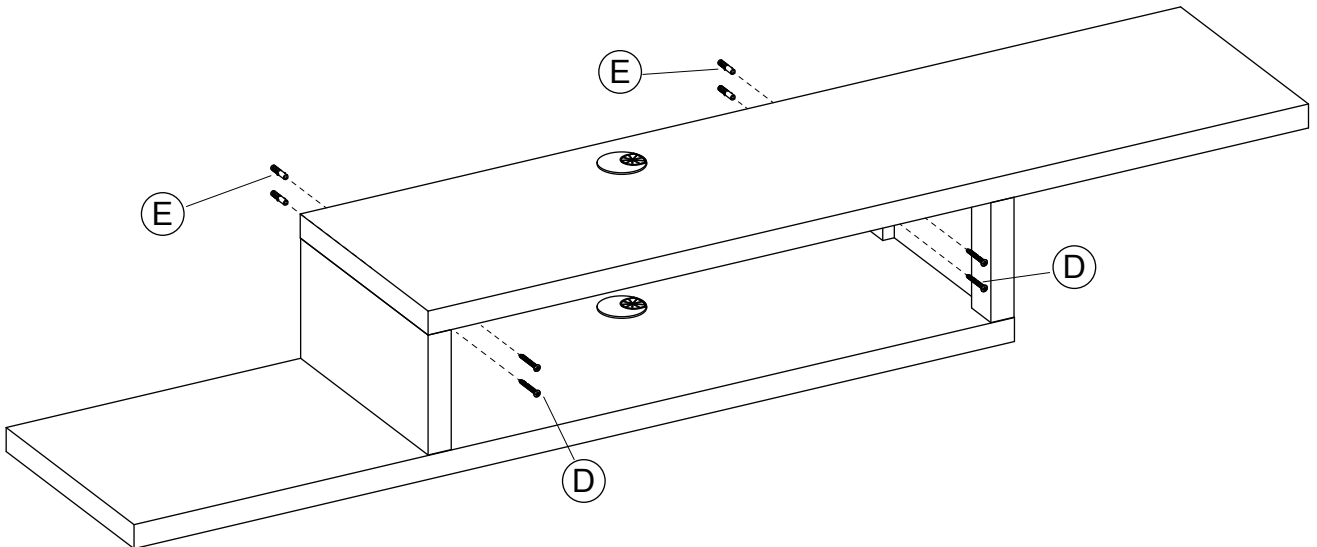
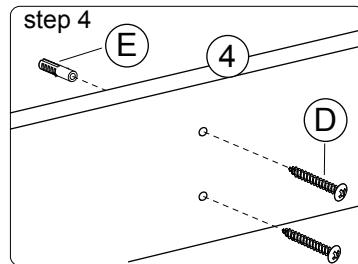
step 2



step 3



step 4



US



001-877-644-9366
customerservice@aosom.com

CA



001-855-537-6088
customerservice@aosom.ca

UK



0044-800-240-4004
enquiries@mhstar.co.uk

DE



0049-(0)40-88307530
service@aosom.de

FR



0033-1-84166106
contact@aosom.fr

ES



0034-931294512
atencioncliente@aosom.es

IT



0039-0249471447
clienti@aosom.it