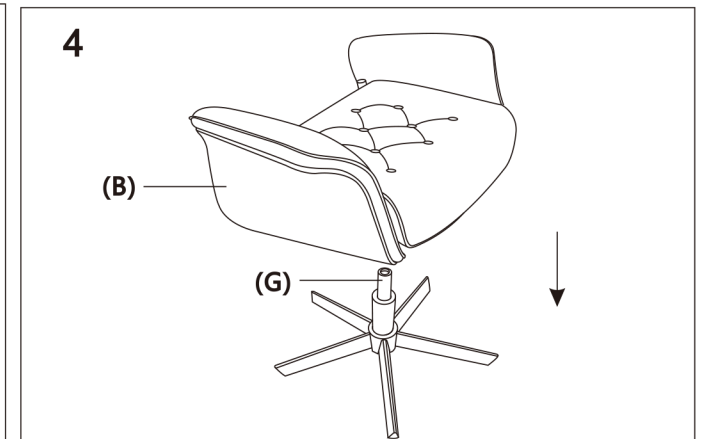
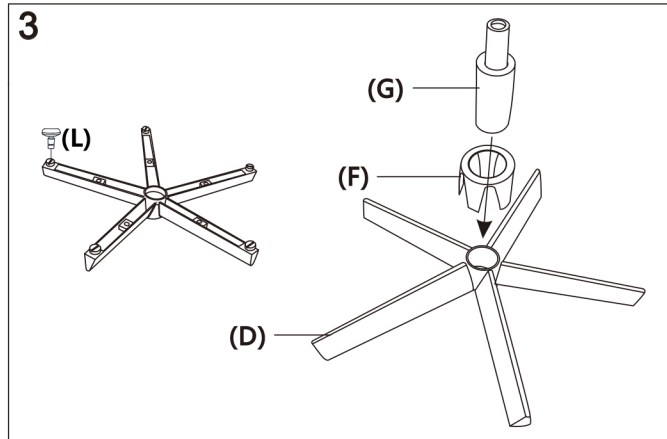
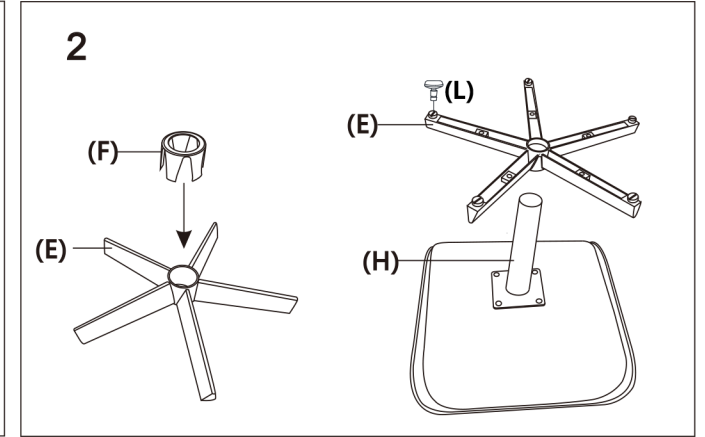
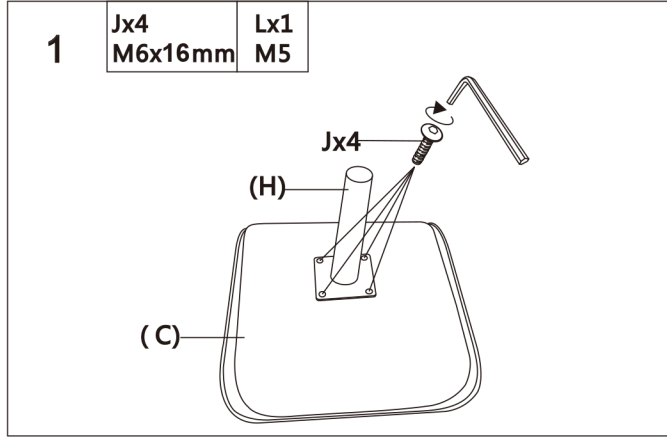


BOX 1/2:

833-654

PART NO.	PARTS	QTY
B		X1
C		X1
F		X2
G		X1
L		X10
H		X1
I		X2
J		X4
K		X1



BOX 2/2:

PART NO.	PARTS	QTY
A		X1
E		X1
D		X1

