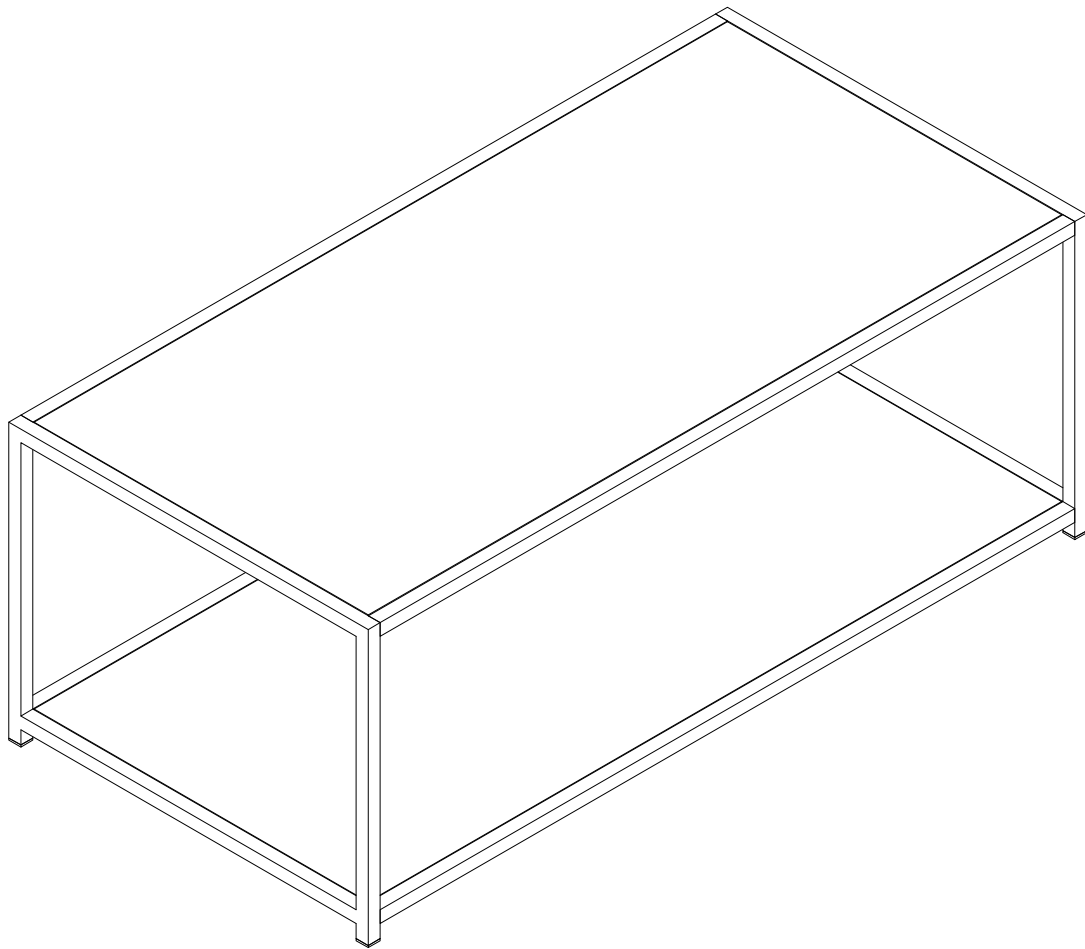




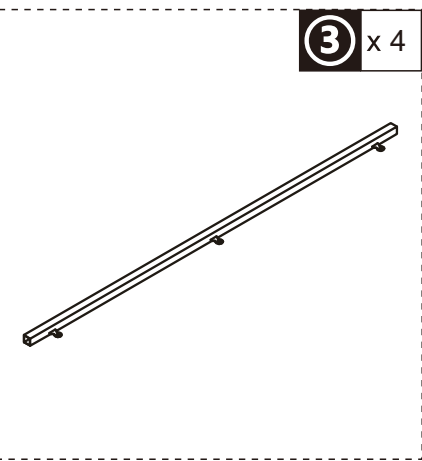
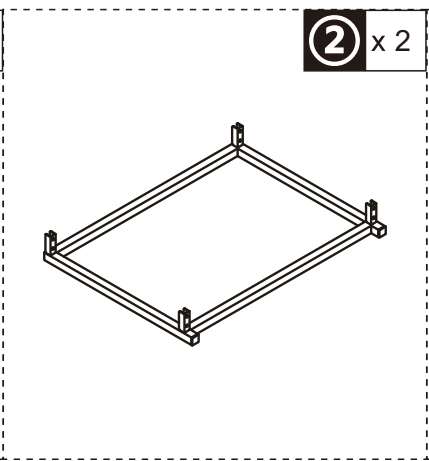
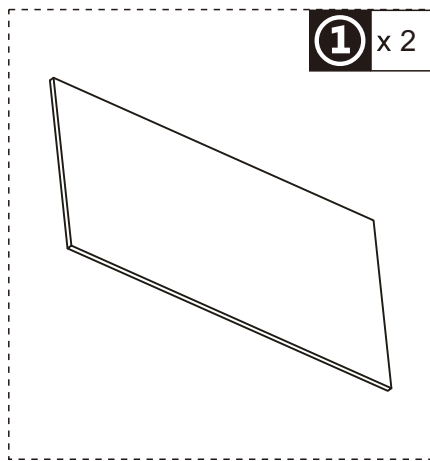
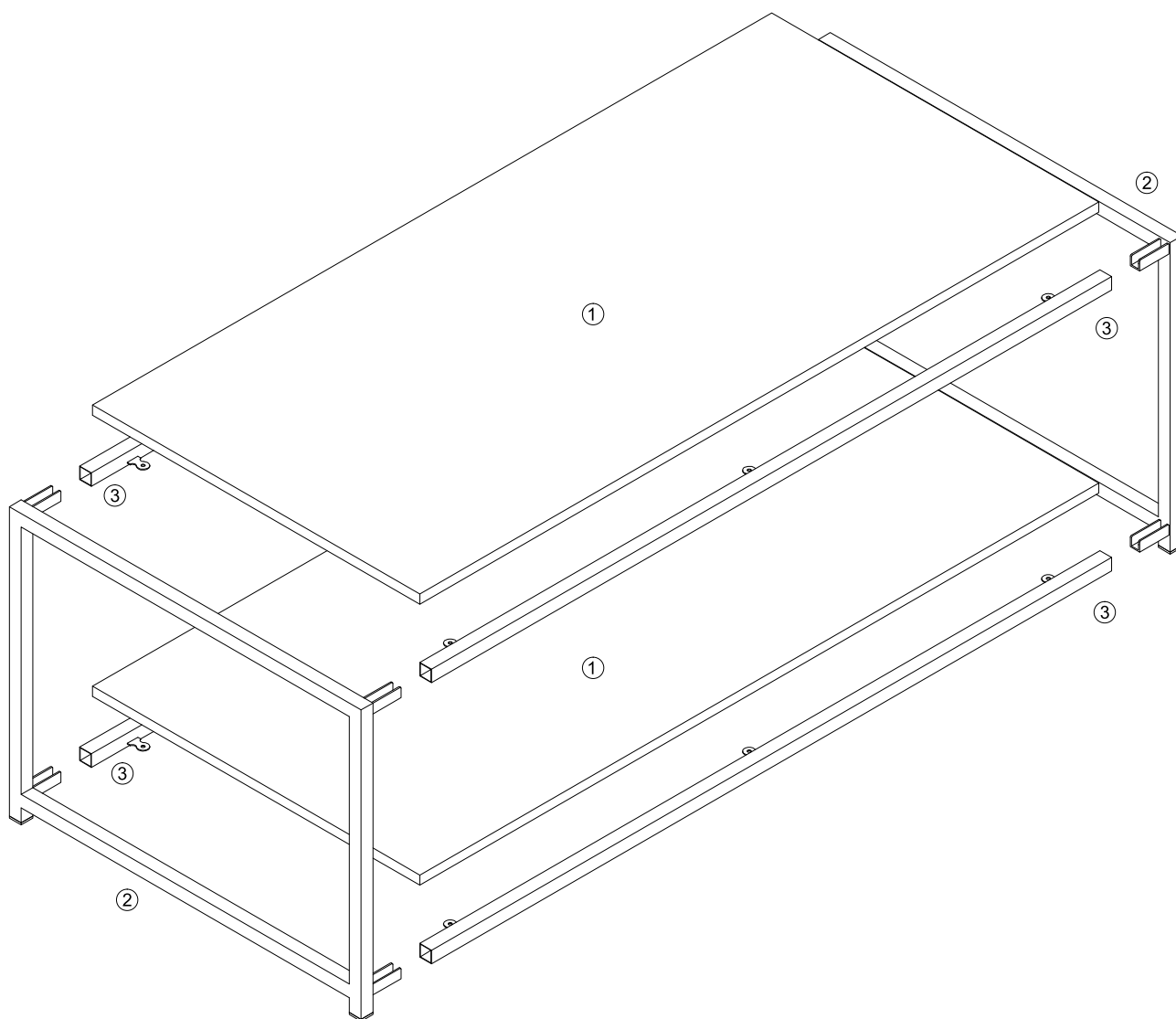
INcgf019_GL

839-236

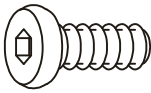


IMPORTANT, RETAIN FOR FUTURE REFERENCE: READ CAREFULLY

ASSEMBLY & INSTRUCTION MANUAL



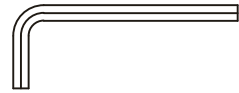
A x16
M6*12
+1(spare)



B x12
M4*10
+1(spare)



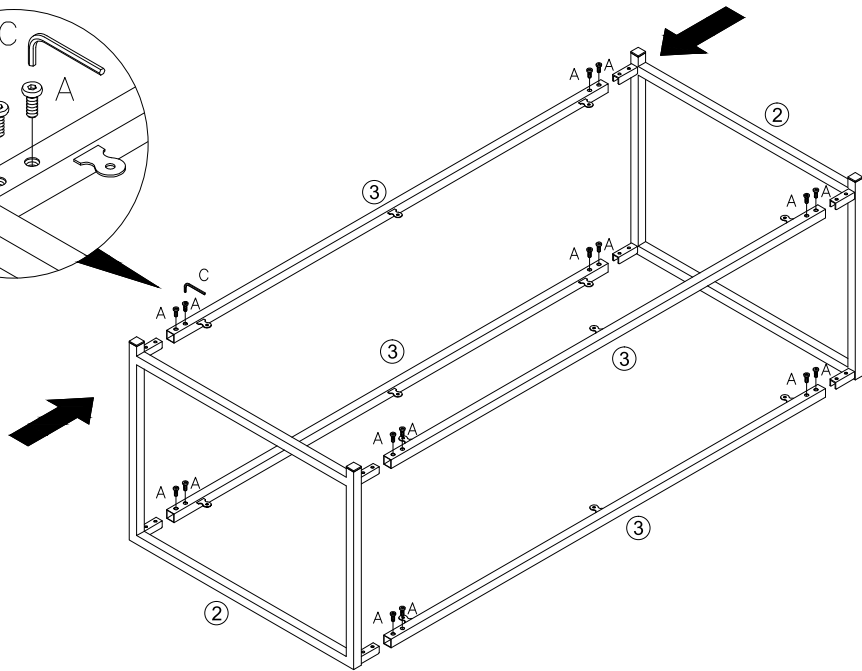
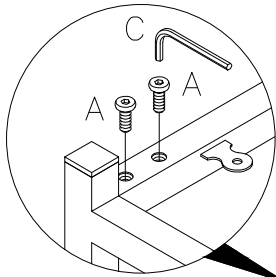
C x 1
4MM



A x16

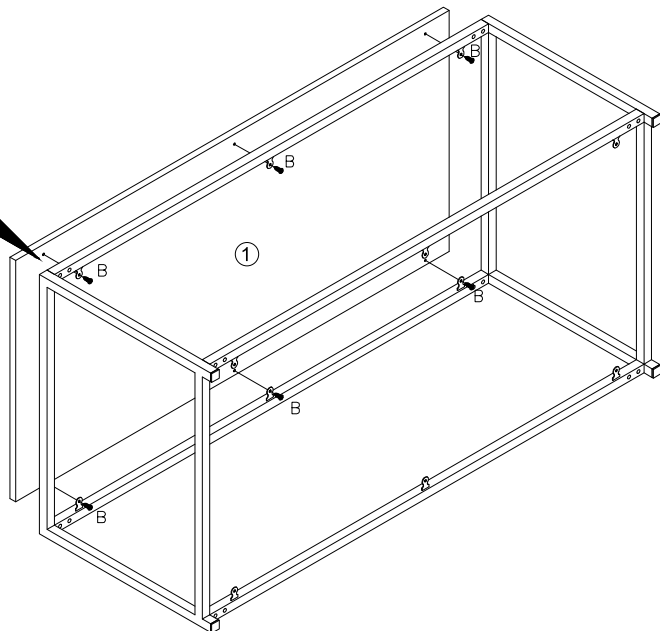
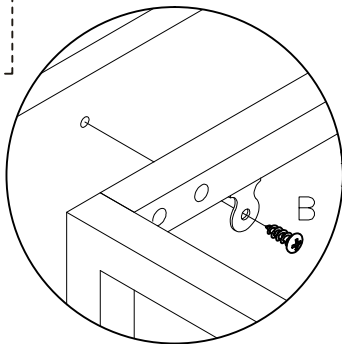


C x 1



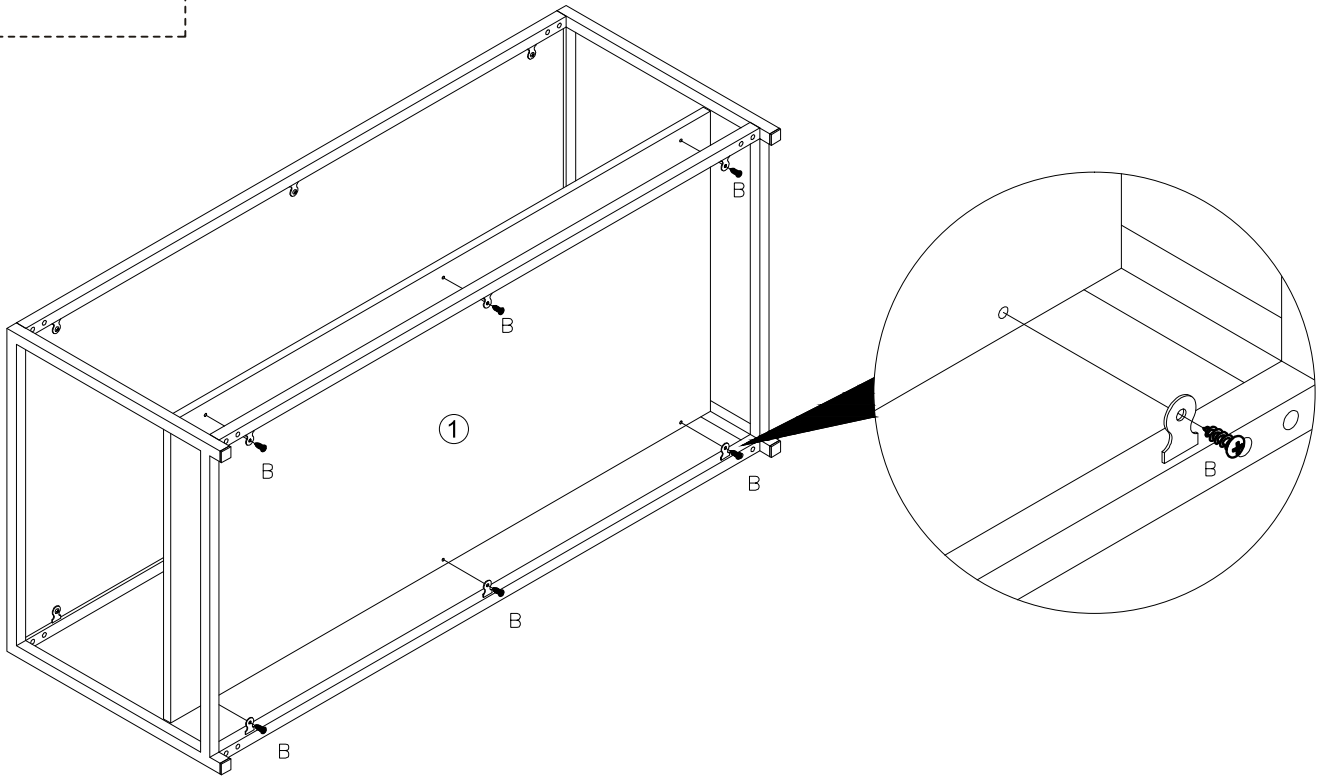
01

B x 6



02

B x 6



Done

