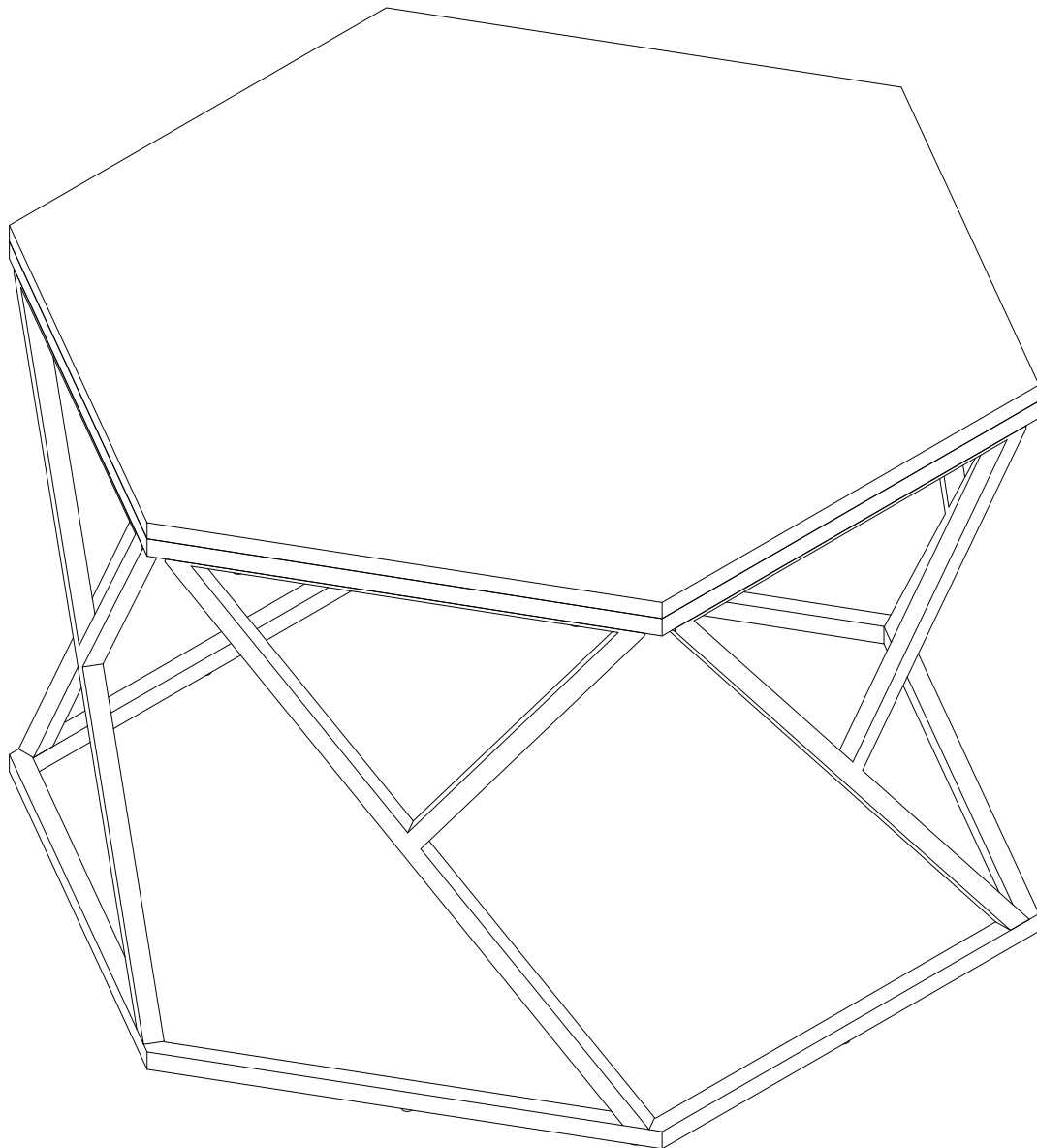




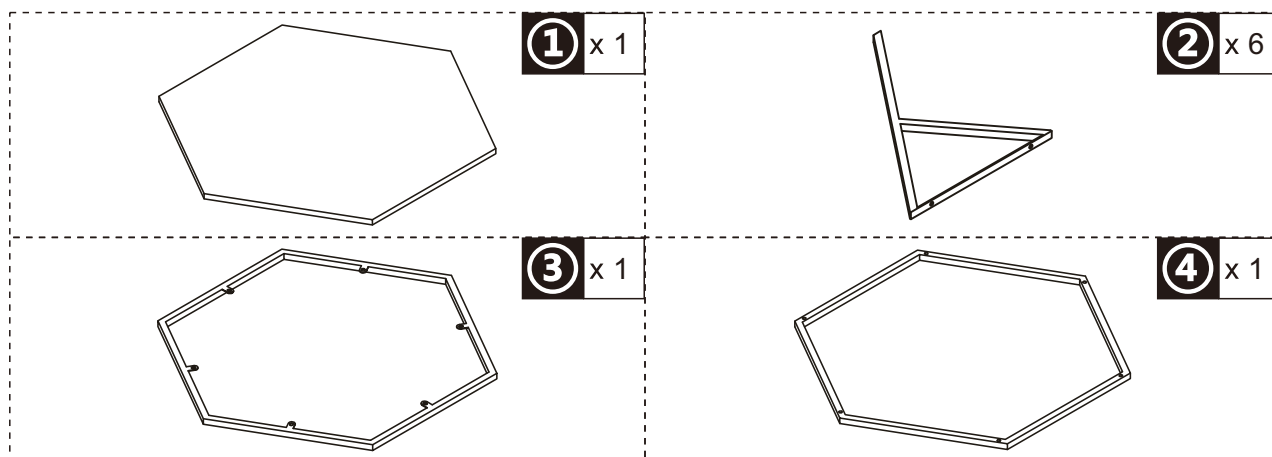
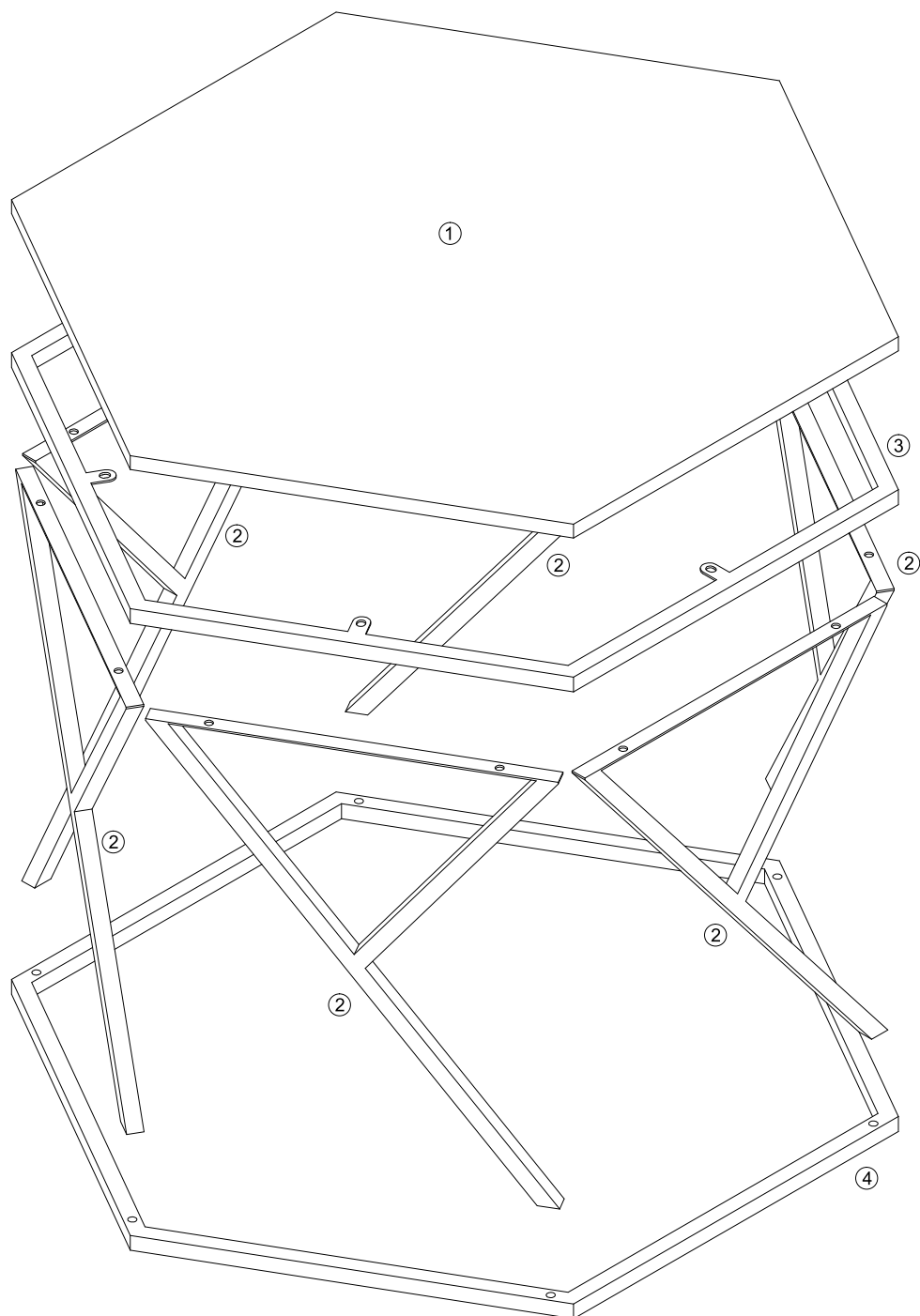
INcgf020_GL

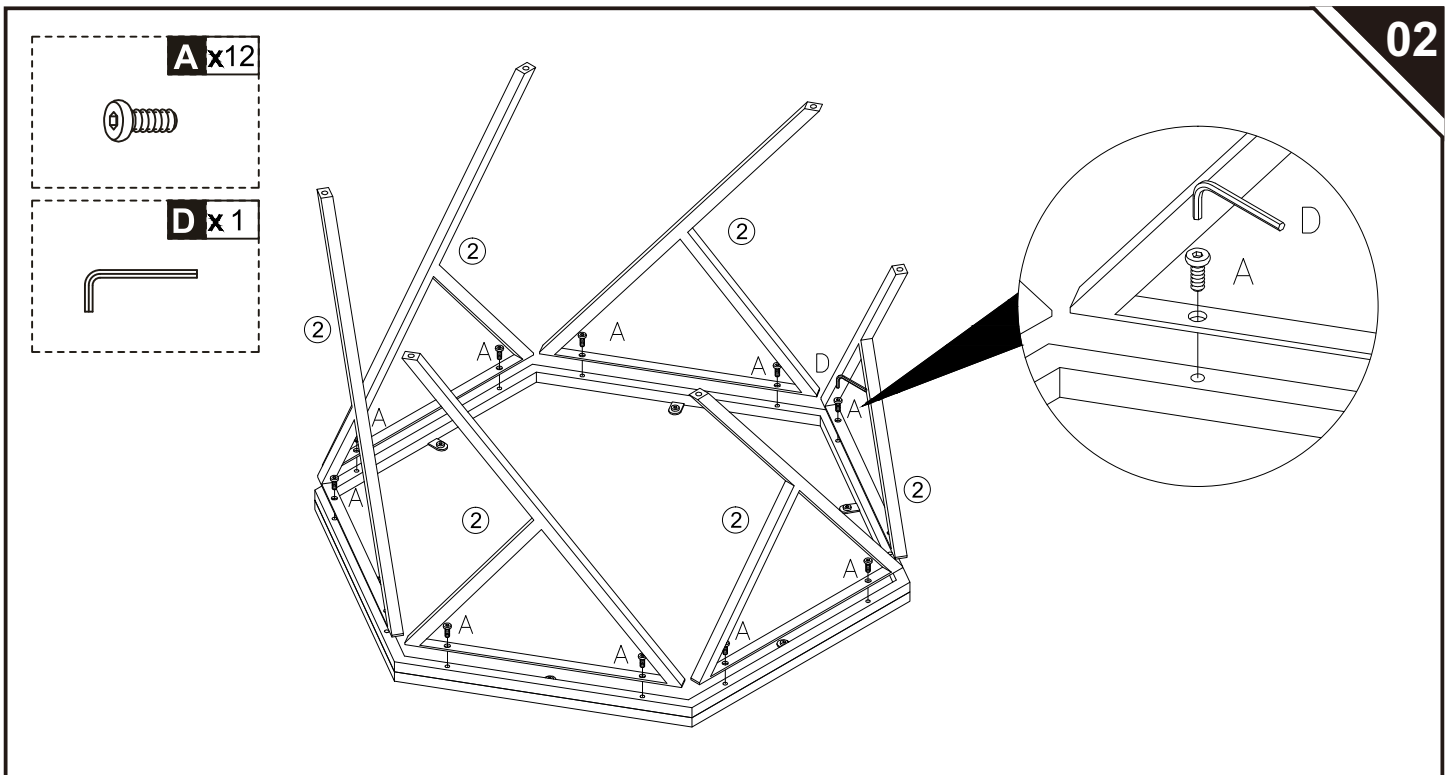
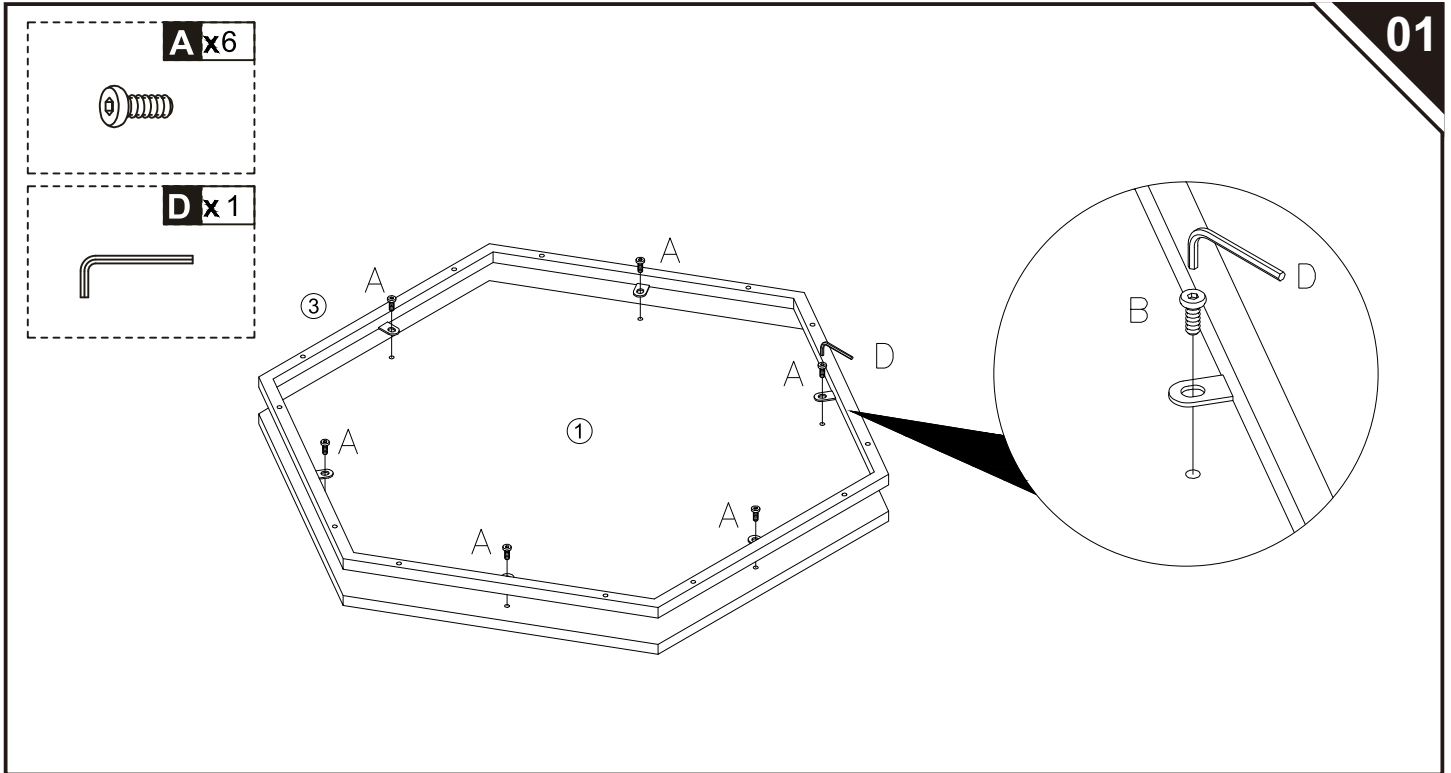
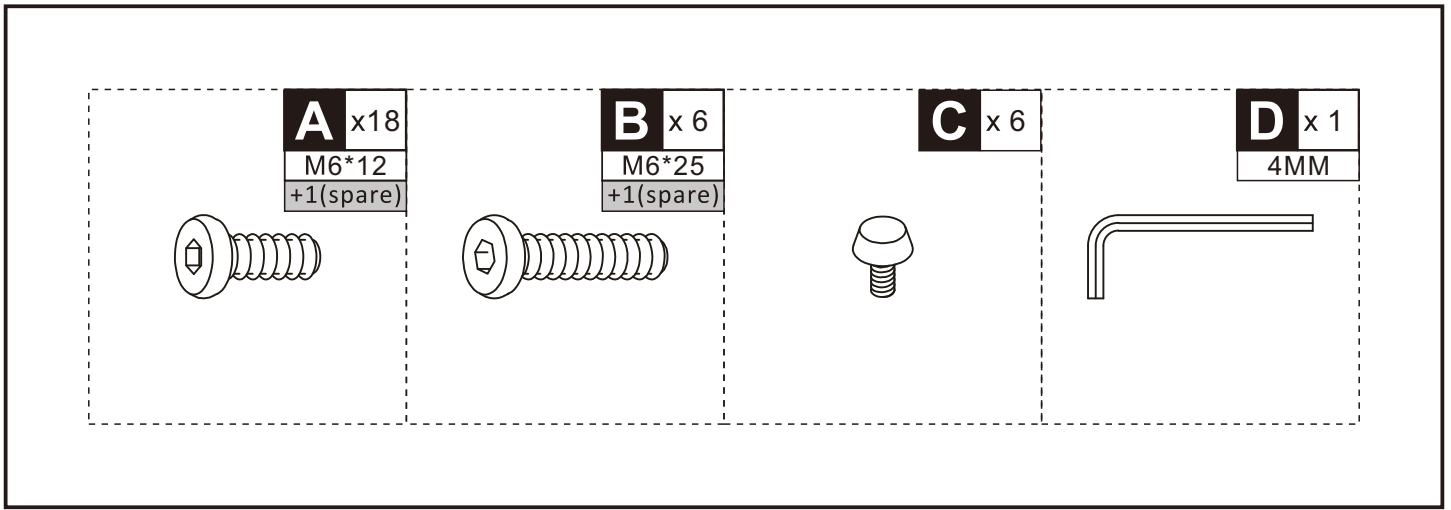
839-309



IMPORTANT, RETAIN FOR FUTURE REFERENCE: READ CAREFULLY

ASSEMBLY & INSTRUCTION MANUAL





B x 6



C x 6



D x 1

