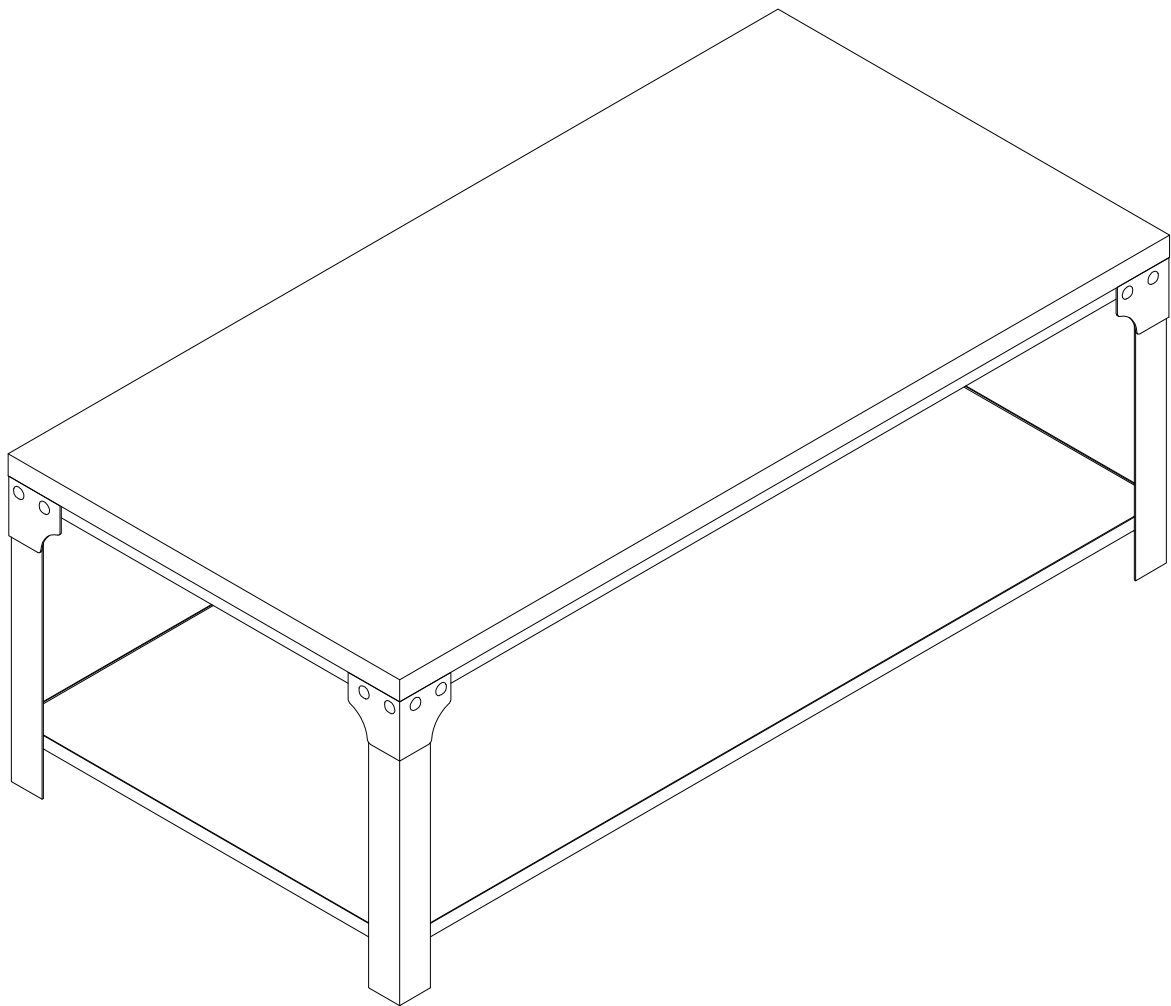




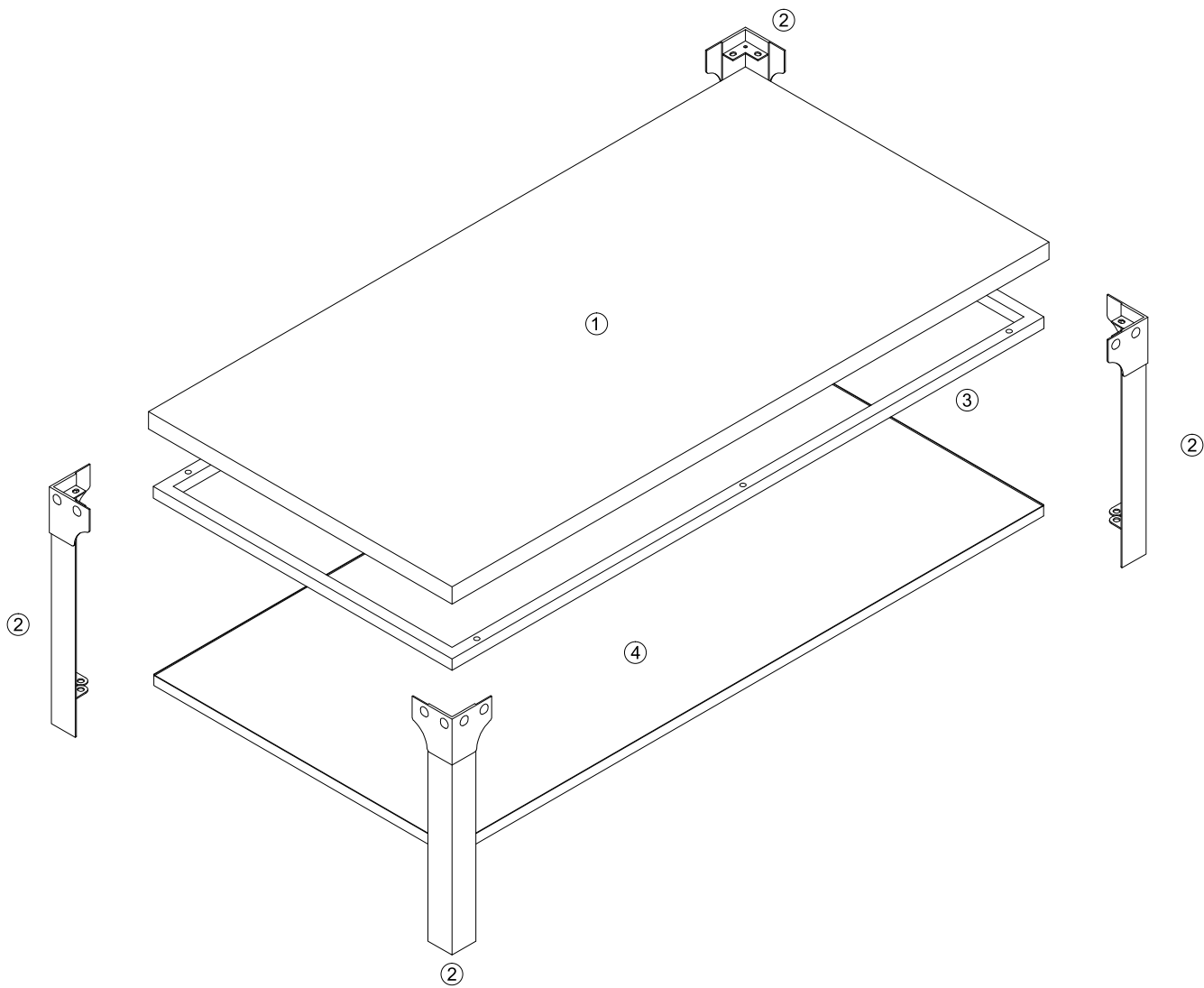
INcgf021_GL

839-310

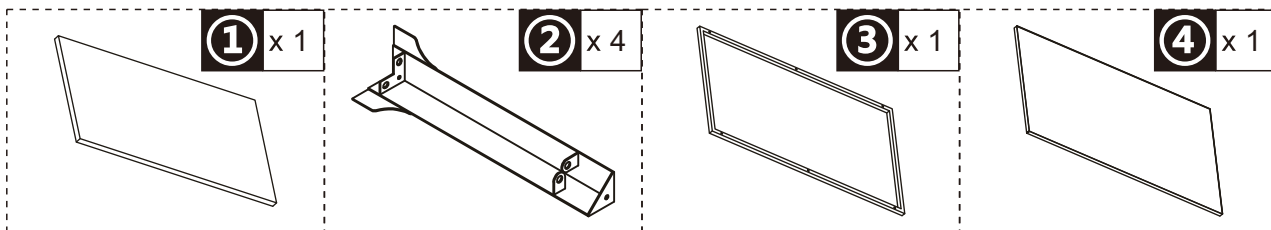


IMPORTANT, RETAIN FOR FUTURE REFERENCE: READ CAREFULLY

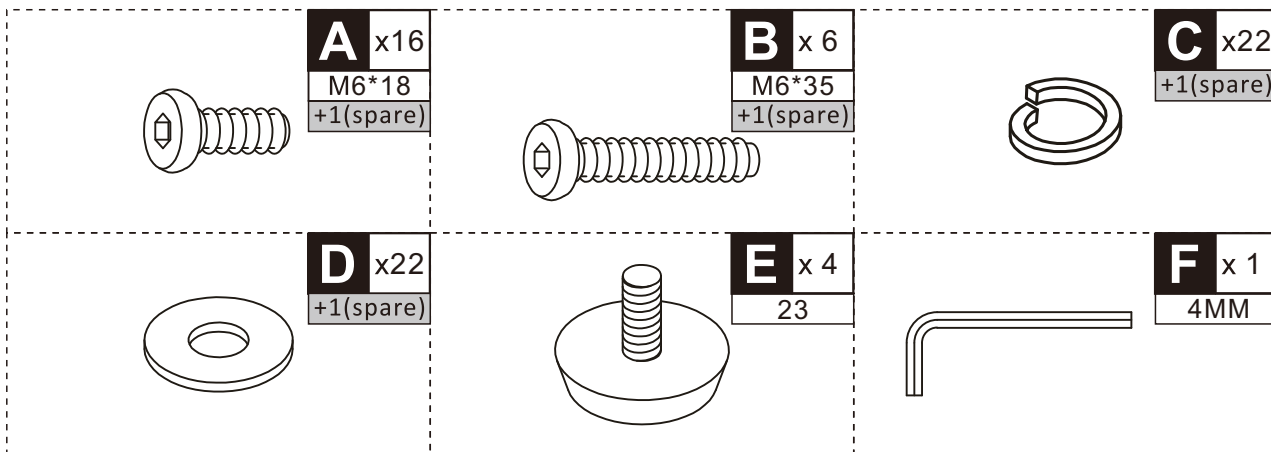
ASSEMBLY & INSTRUCTION MANUAL



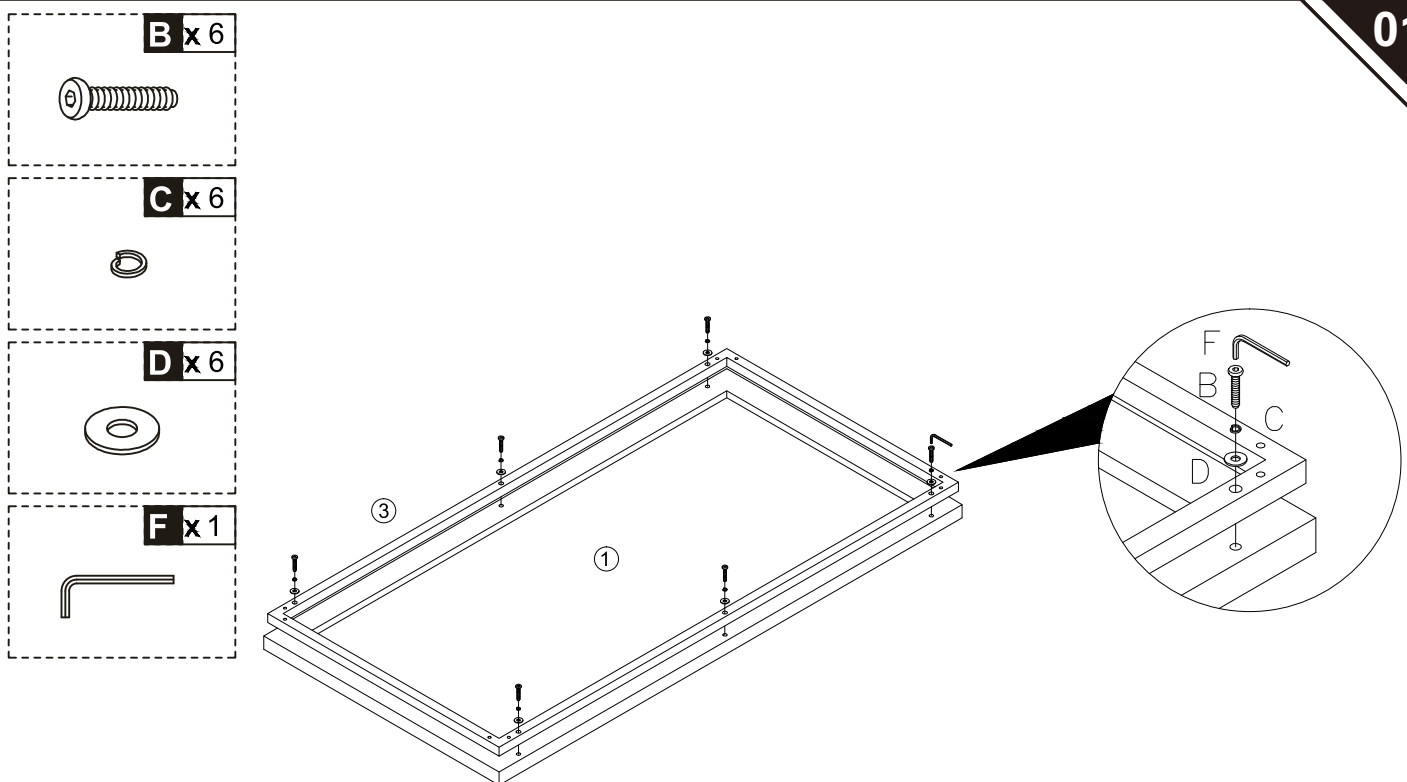
PARTS



HARDWARE



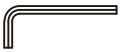
01



A x16



F x1



C x16



D x16



E x4

