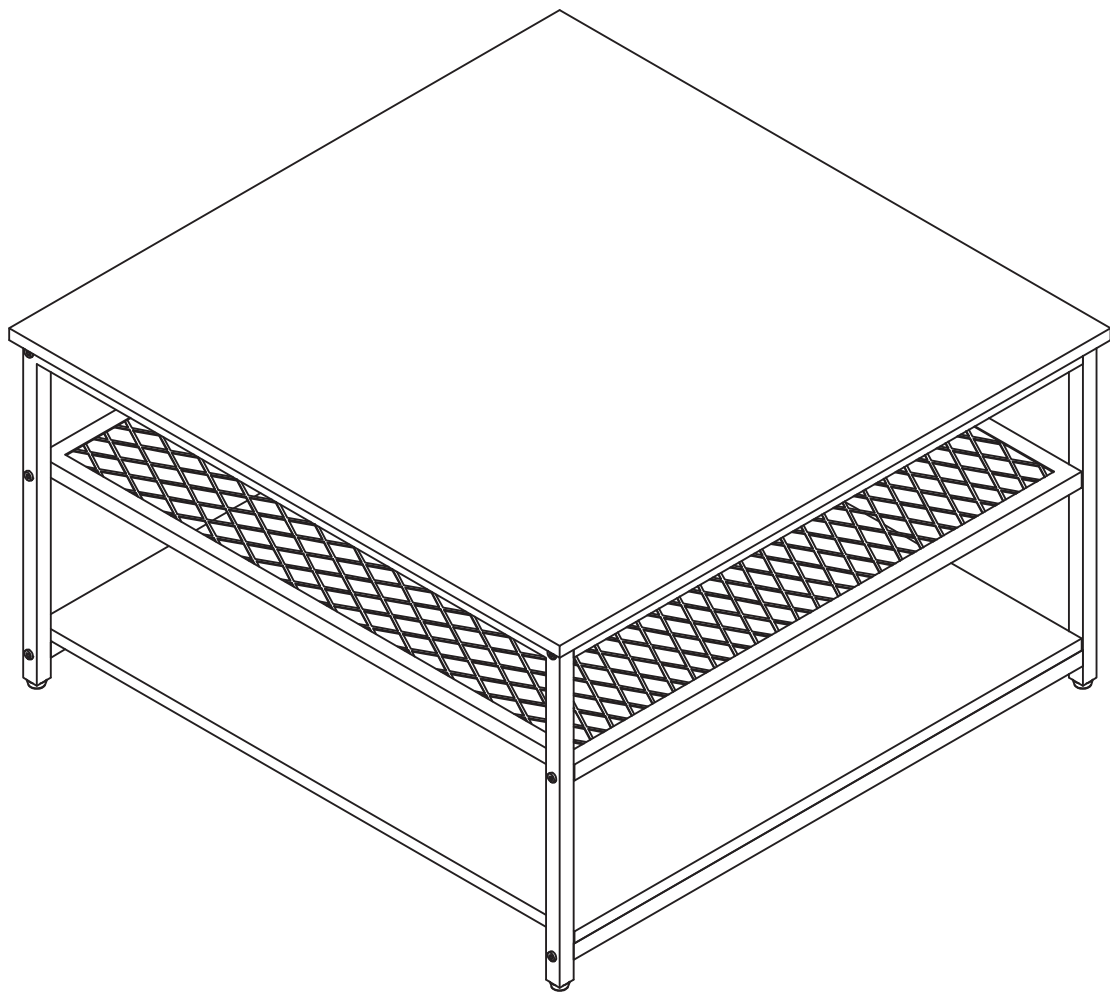




INcgf024_US_CA_UK_ES_DE_IT

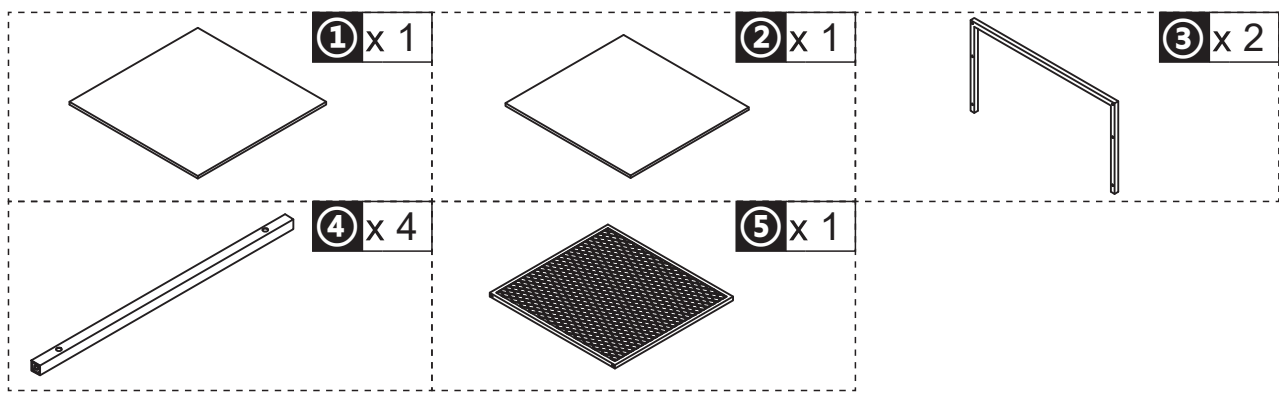
839-345



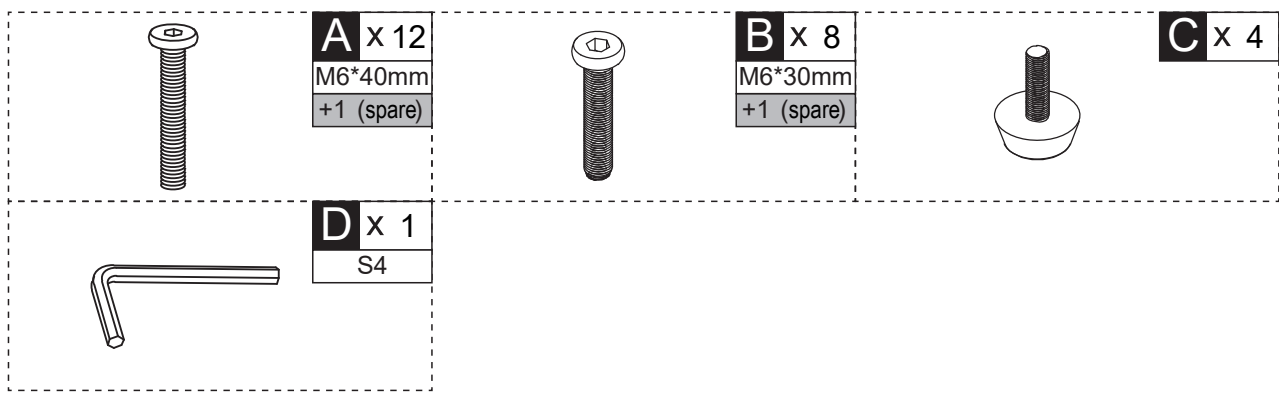
IMPORTANT, RETAIN FOR FUTURE REFERENCE: READ CAREFULLY

ASSEMBLY INSTRUCTION

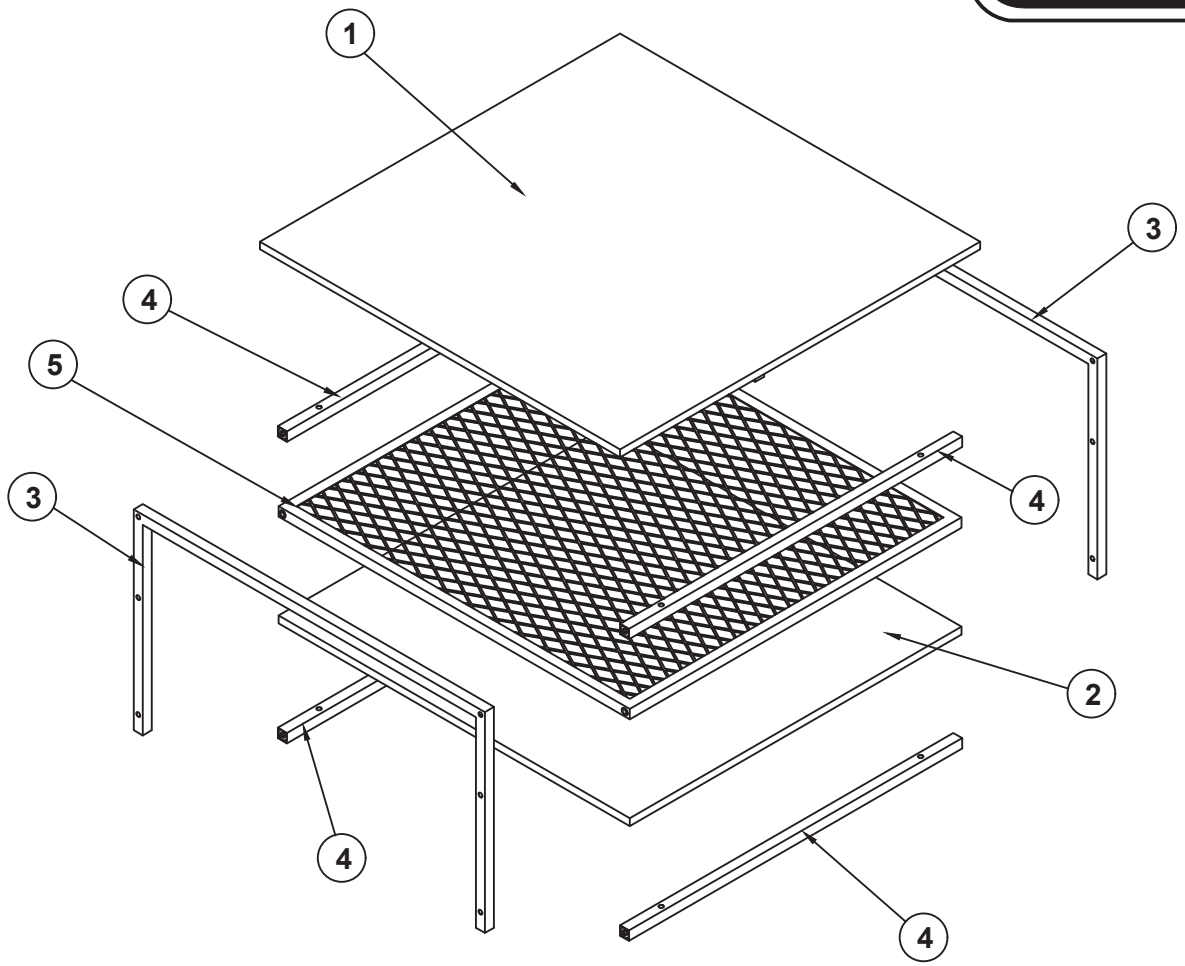
PARTS



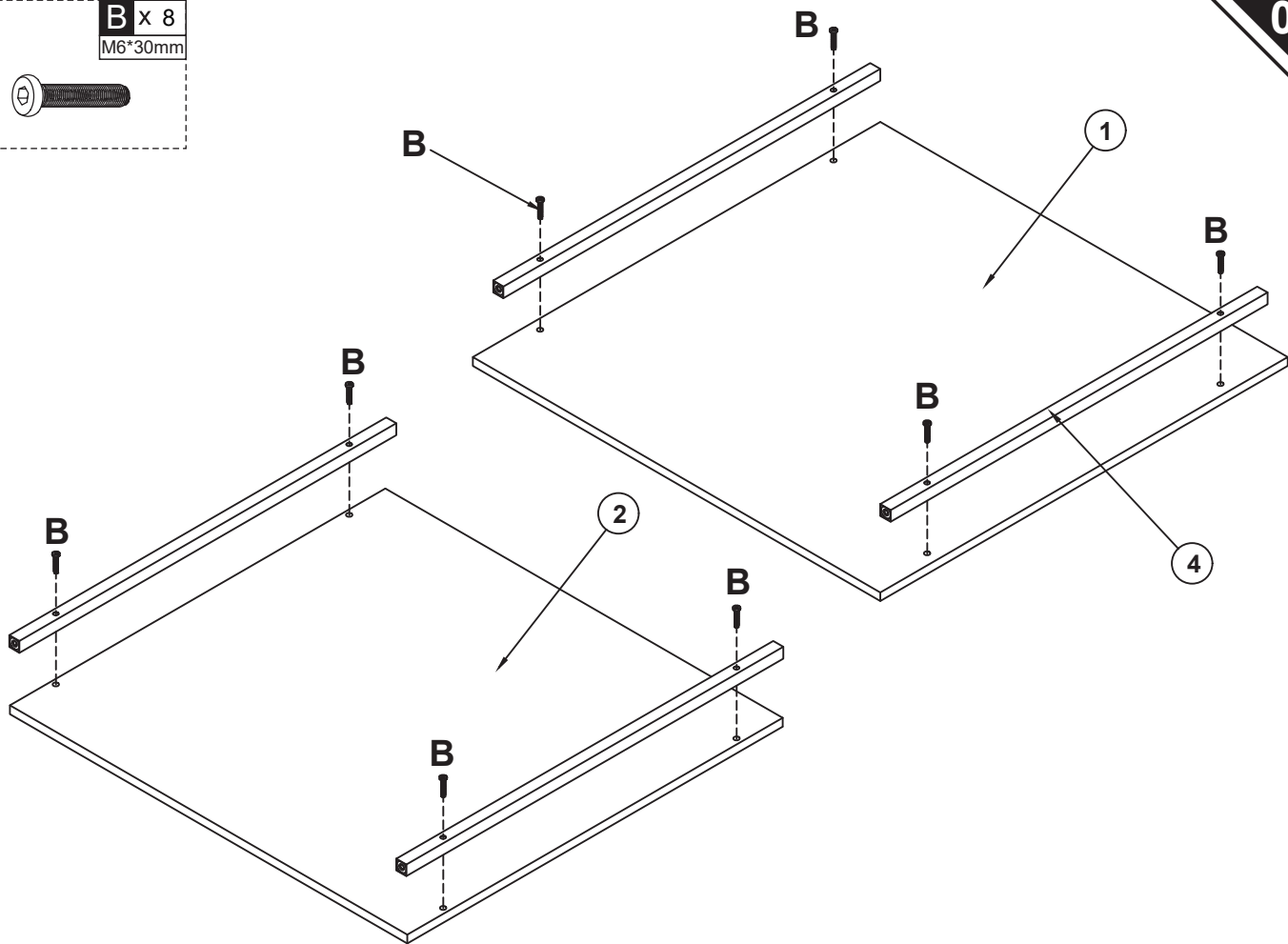
HARDWARE



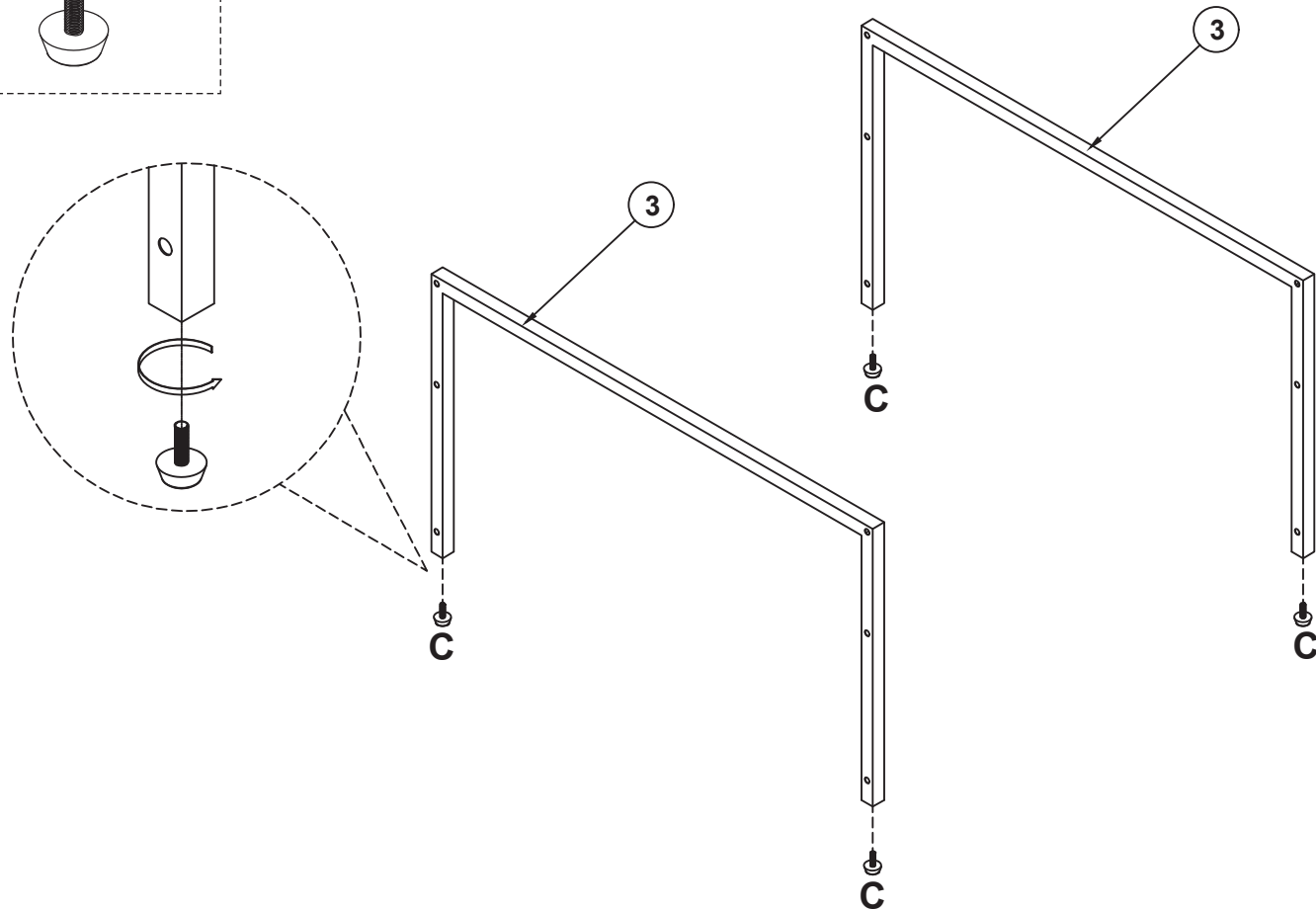
EXPLOSION FIGURE



B x 8
M6*30mm



C x 4



A x 12
M6*40mm

