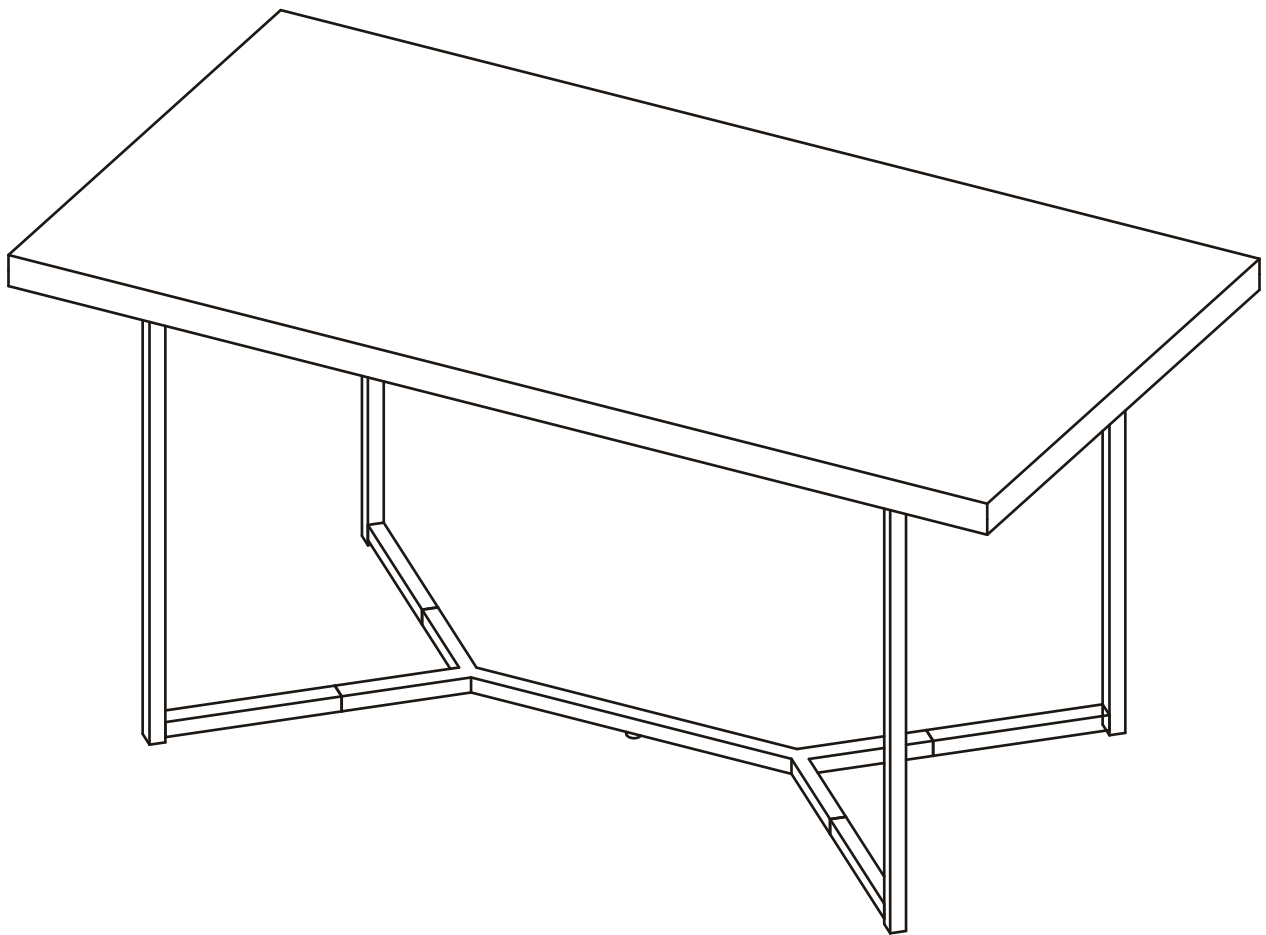




INcgf025_US_CA_UK_ES_DE_IT

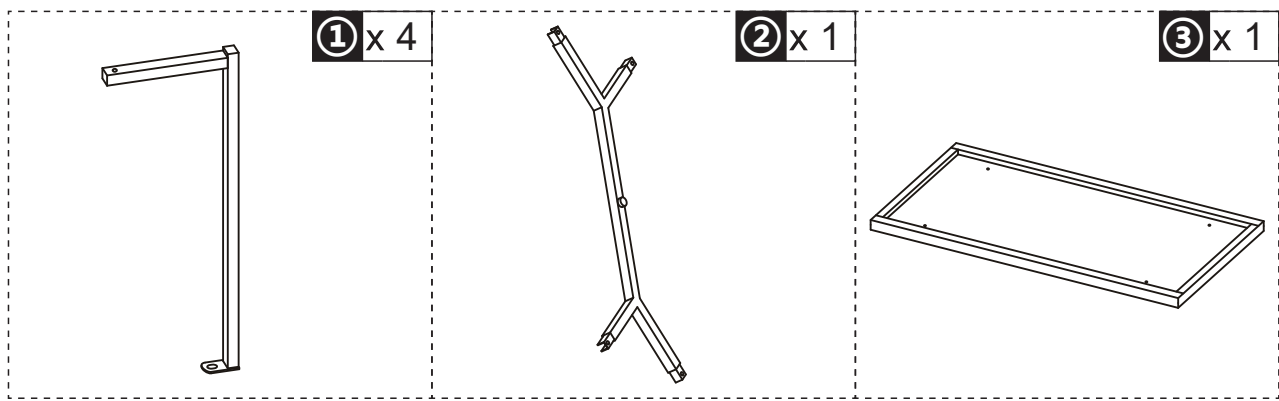
839-461V80



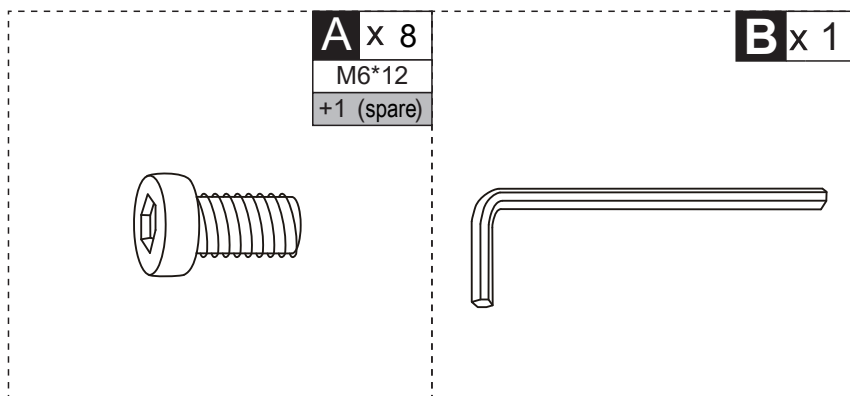
IMPORTANT, RETAIN FOR FUTURE REFERENCE: READ CAREFULLY

ASSEMBLY INSTRUCTION

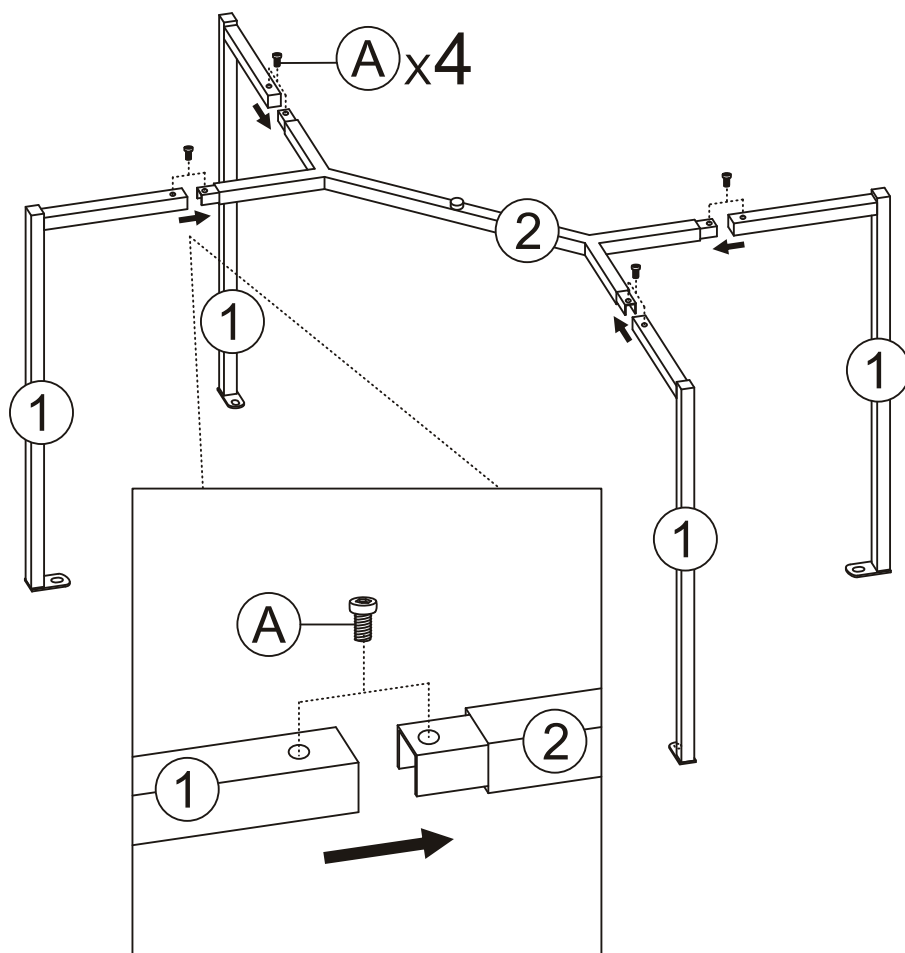
PARTS



HARDWARE



A x 4



A x 4

