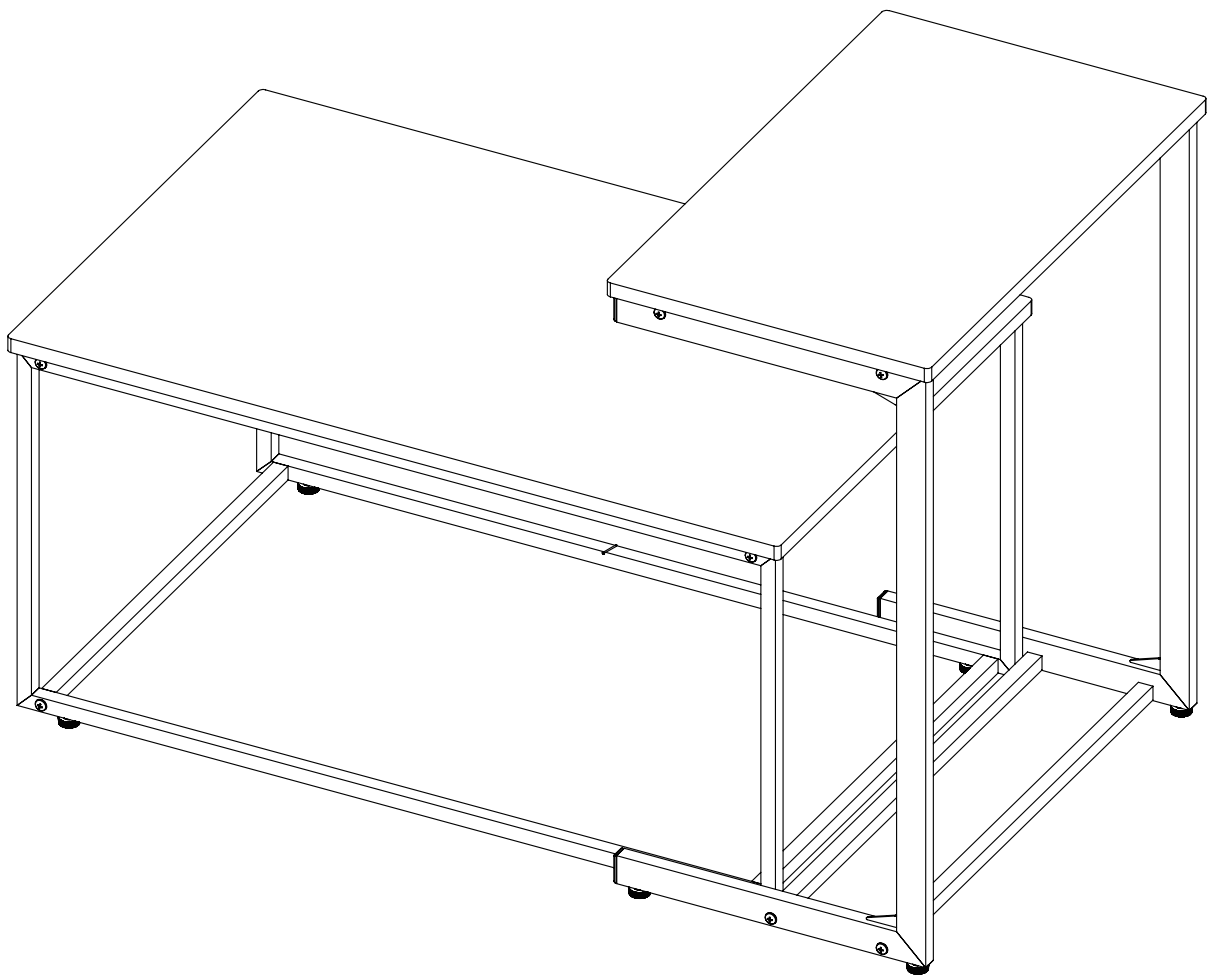




INcgf036_US_CA

839-529V00_839-529V01



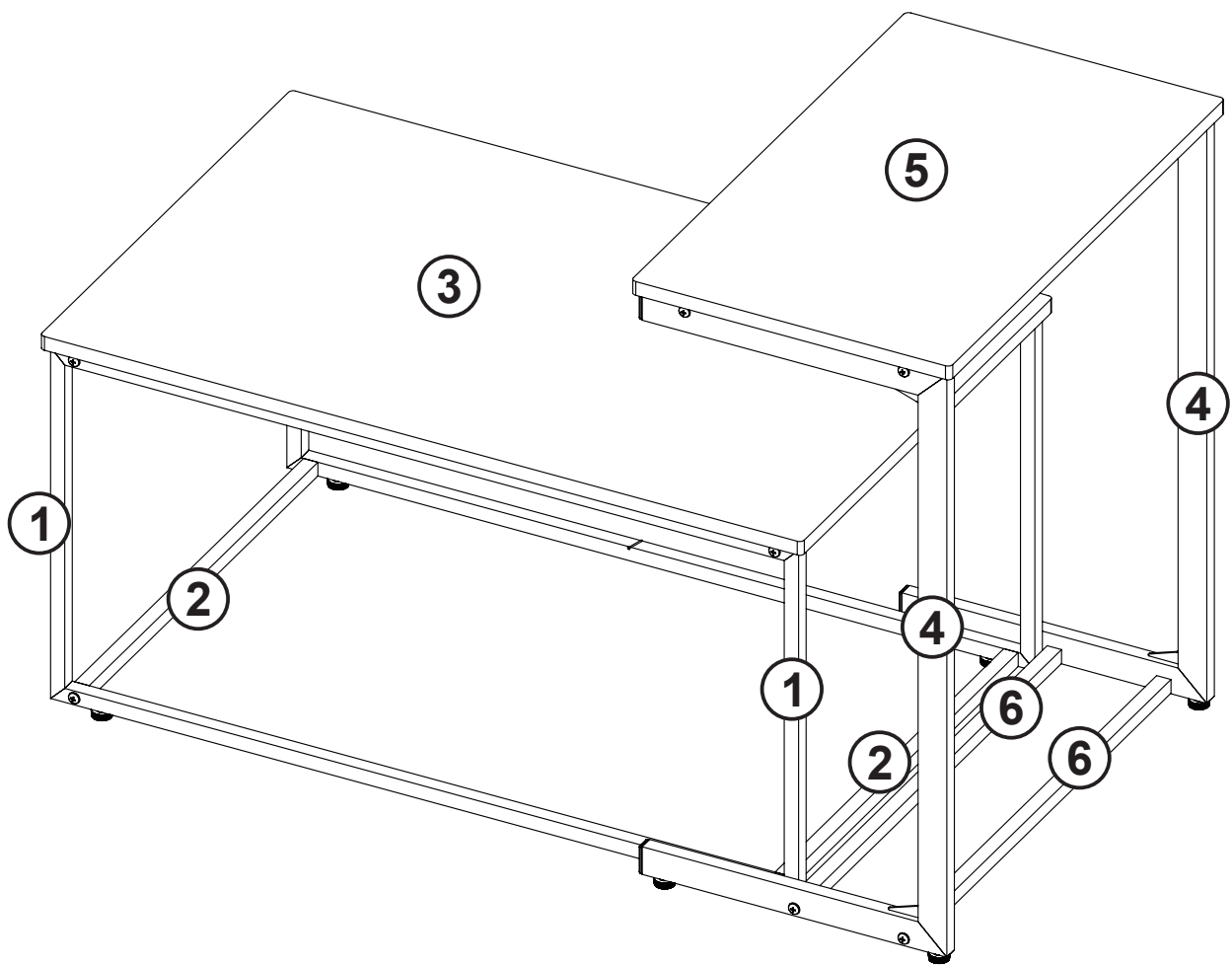
EN_IMPORTANT, RETAIN FOR FUTURE REFERENCE: READ CAREFULLY.

**FR_IMPORTANT: A LIRE ATTENTIVEMENT ET À CONSERVER POUR CONSULTATION
ULTÉRIEURE.**

ES_IMPORTANTE, LEA Y GUARDE PARA FUTURAS REFERENCIAS.

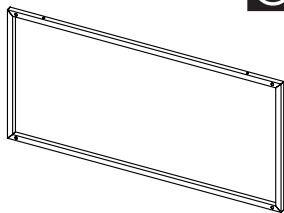
DE_„WICHTIG! SORGFÄLTIG LESEN UND FÜR SPÄTER NACHSCHLAGEN AUFBEWAHREN.“

**IT_IMPORTANTE! CONSERVARE IL PRESENTE MANUALE PER FUTURO RIFERIMENTO E
LEggerlo ATTENTAMENTE.**

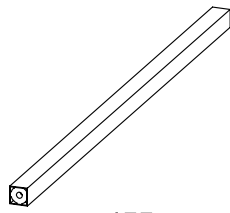


PARTS

1 x 2

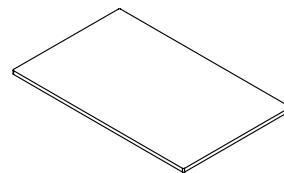


2 x 4

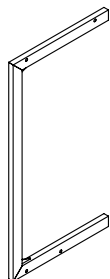


455mm

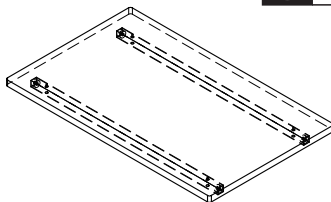
3 x 1



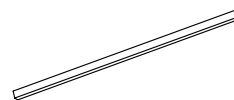
4 x 2



5 x 1



6 x 2

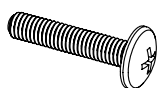


502mm

HARDWARE

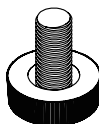
A x 16

+1 (spare)



M6X30mm

B x 8



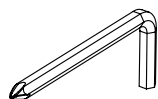
C x 4

+1 (spare)



ST4X25mm

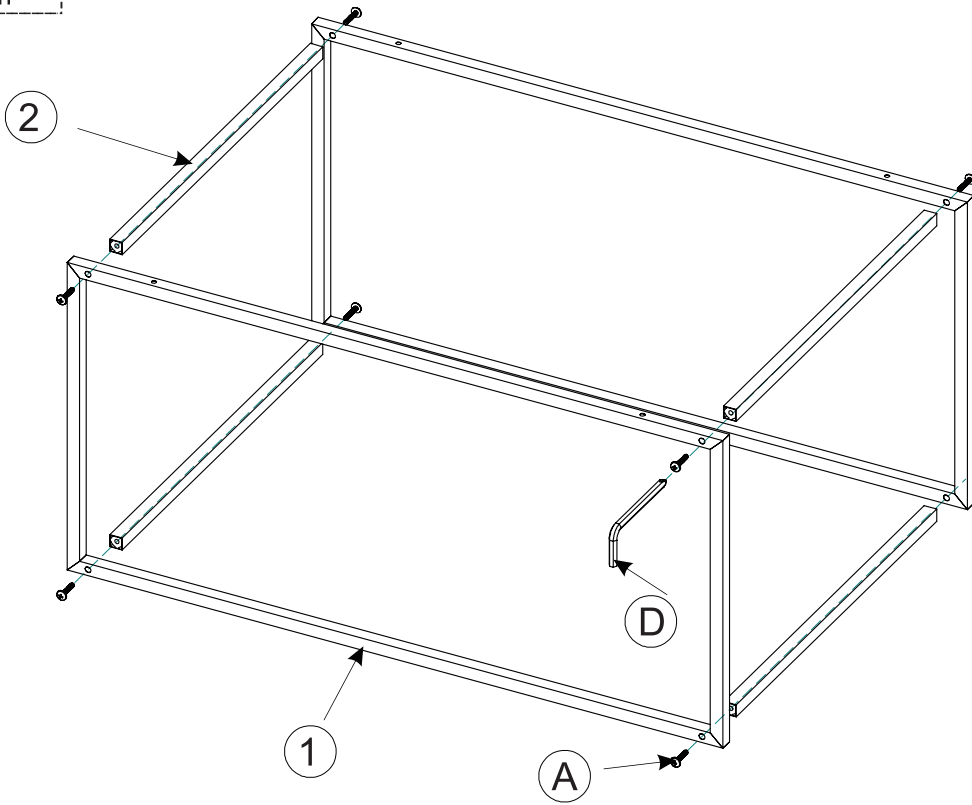
D x 1



A x 8



M6X30mm



C x 4



ST4X25mm

