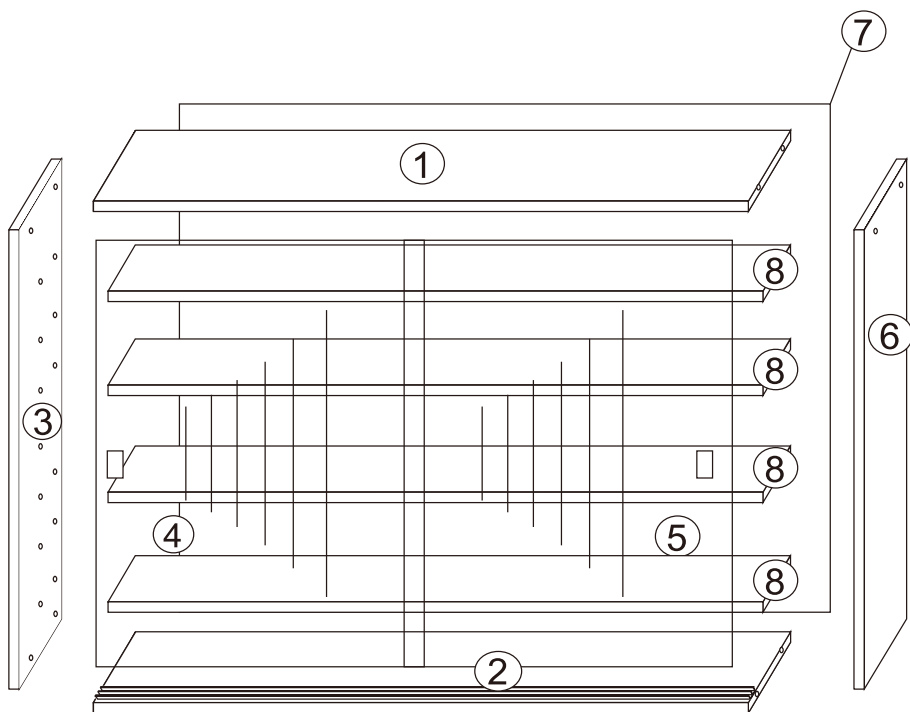


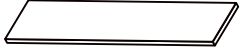
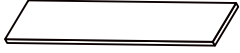






IMPORTANT, RETAIN FOR FUTURE REFERENCE: READ CAREFULLY







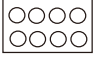
ASSEMBLY & INSTRUCTION MANUAL



PACKING DETAILS: TOTAL 1 B OXES

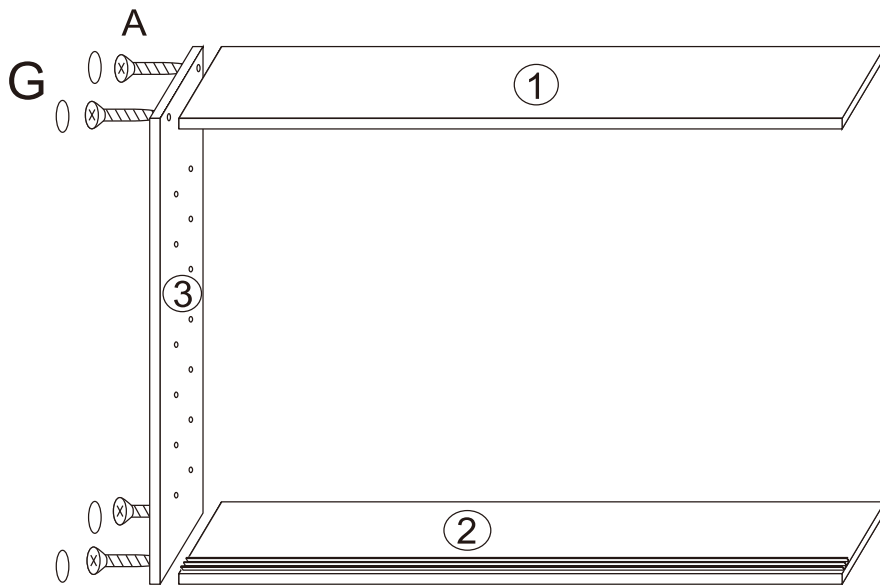
BOX 1/1:

| PARTNO. | PARTS | QTY |
|---------|---|-----|
| 1 |  | x1 |
| 2 |  | x1 |
| 3 |  | x1 |
| 4 |  | x1 |
| 5 |  | x1 |
| 6 |  | x1 |
| 7 |  | x1 |
| 8 |  | x4 |

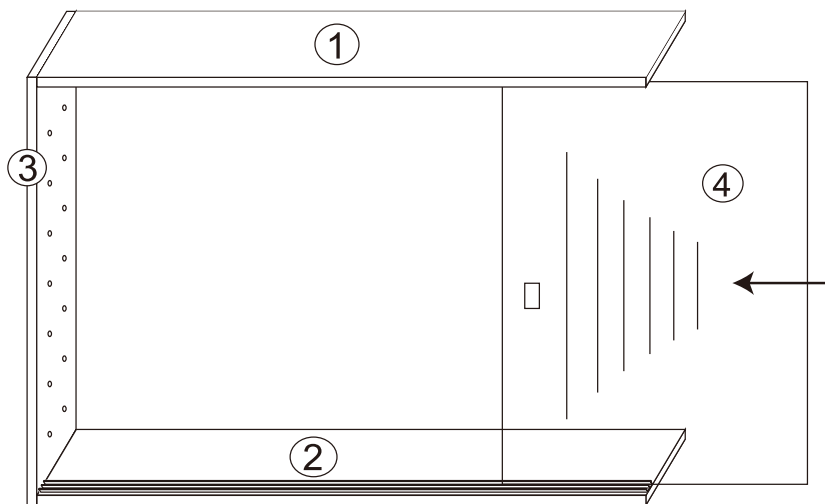
| PART NO. | PARTS | QTY |
|----------|--|-----|
| A |  4x40mm | x8 |
| B |  | x16 |
| C |  | x16 |
| D |  4x16mm | x4 |
| E |  | x2 |
| F |  | x2 |
| G |  | x1 |

Assembly Instructions

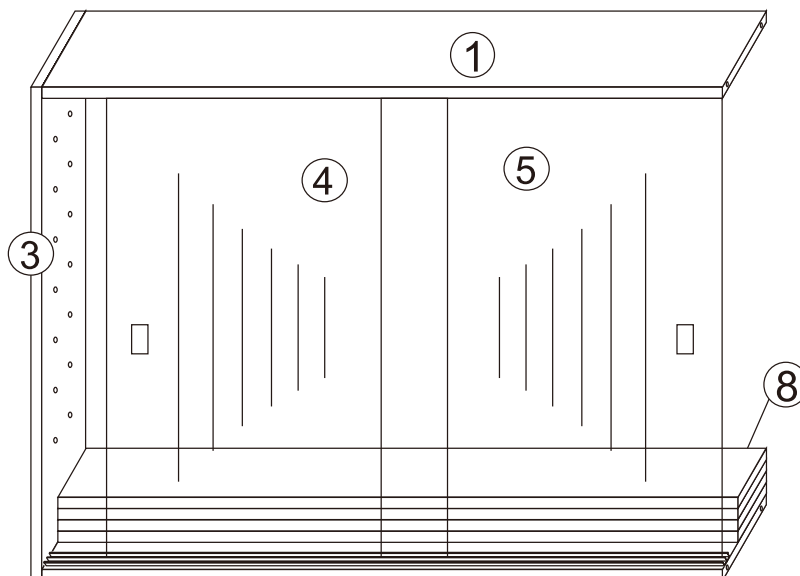
1



2

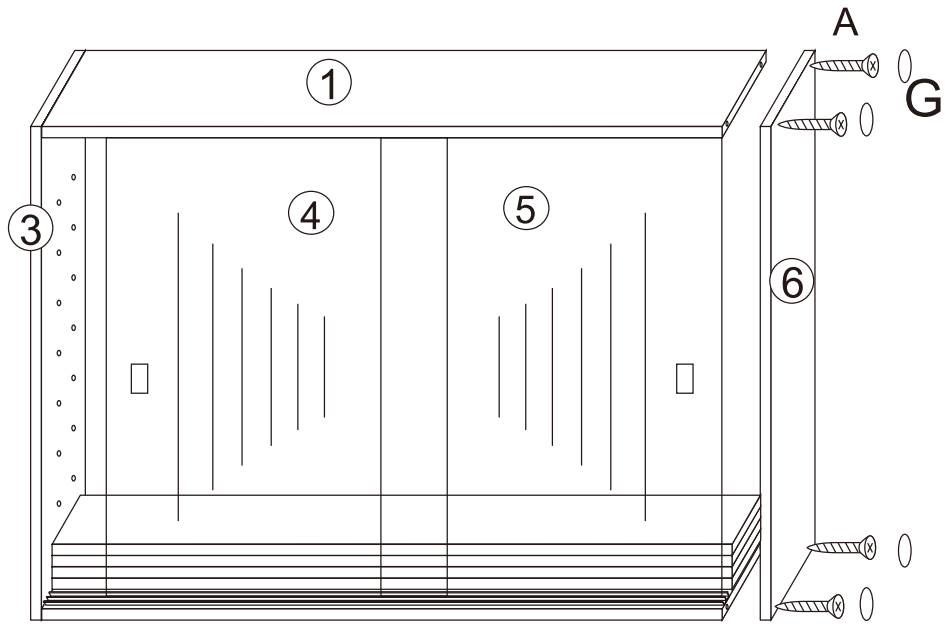


3

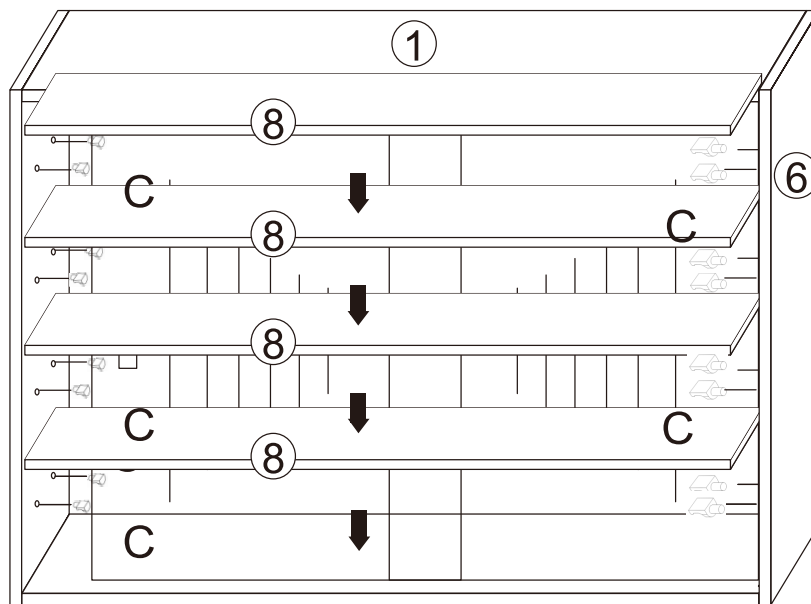


Assembly Instructions

4

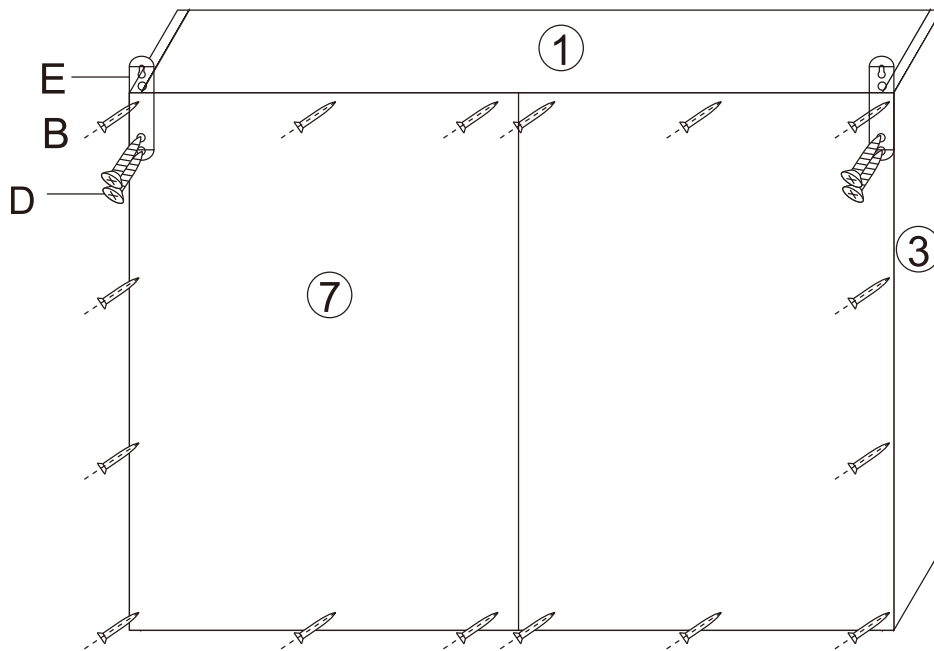


5

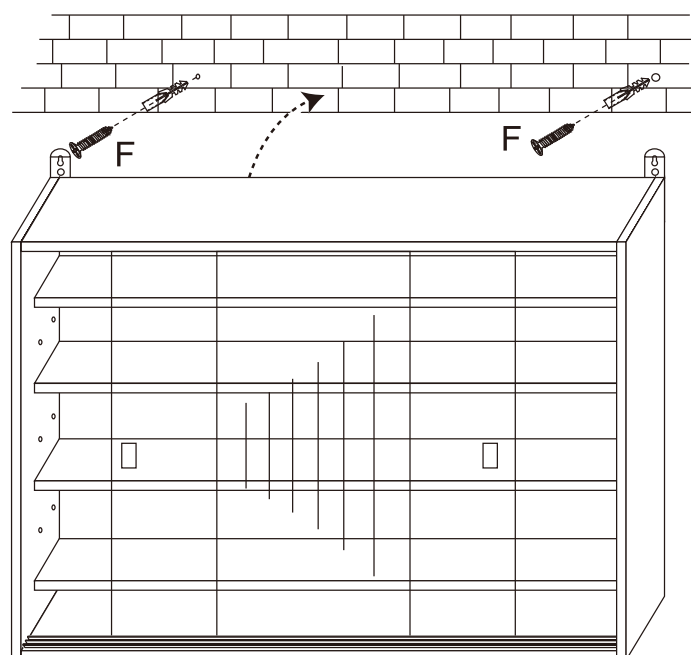


Assembly Instructions

6



7



US



001-877-644-9366
customerservice@aosom.com

CA



001-855-537-6088
customerservice@aosom.ca

UK



0044-800-240-4004
enquiries@mhstar.co.uk

DE



0049-(0)40-88307530
service@aosom.de

FR



0033-1-84166106
contact@aosom.fr

ES



0034-931294512
atencioncliente@aosom.es

IT



0039-0249471447
clienti@aosom.it