

COMBINATION ELECTRIC FIREPLACE/HEATER

READ AND SAVE THESE INSTRUCTIONS FOR FUTURE USE

ASSEMBLY INSTRUCTION

Table of Contents

| | |
|-------------------------------|----|
| Warnings & Precautions | 03 |
| Technical Specification | 04 |
| Package Contents | 04 |
| Installation guide | 05 |
| Users Instruction | 07 |
| Care and Maintenance | 08 |

When using electrical appliances, basic safety precautions should always be followed including the following:

READ ALL INSTRUCTIONS BEFORE USE

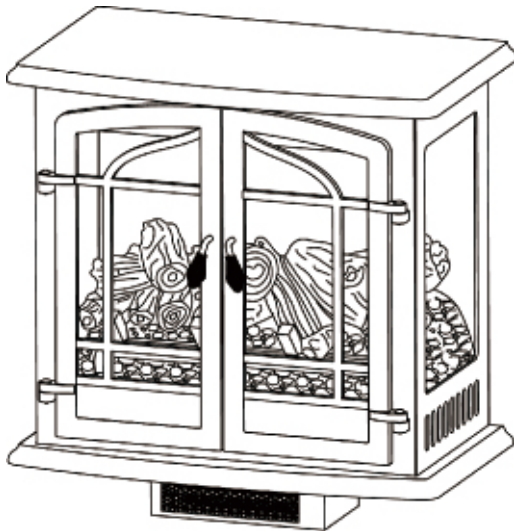
1. Read all instructions before using this appliance.
2. This appliance is hot when in use. To avoid burns, do not let bare skin touch hot surfaces. If provided, use handles when moving this appliance. Keep combustible materials, such as furniture, pillows, bedding, papers, clothes, and curtains at least 3ft. (914mm) from the front of this appliance and keep them away from the sides and rear.
3. Extreme caution is necessary when any heater is used by or near children, invalids, or pets and whenever the heater is left operating unattended.
4. If possible always unplug this appliance when not in use.
5. Do not operate any heater with a damaged cord or plug or after the appliance malfunctions, has been dropped or damaged in any manner.
6. Any repairs to this appliance should be carried out by a qualified service person.
7. Under no circumstances should this appliance be modified. Parts having to be removed for servicing must be replaced prior to operating this appliance again.
8. Do not use outdoors.
9. This heater is not intended for use in bathrooms, laundry areas and similar indoor locations. Never place this appliance where it may fall into a bathtub or other water container.
10. Do not use this heater in elevated locations, such as on shelves, raised platforms, etc.
11. Do not run cord under carpeting. Do not cover cord with throw rugs, runners or the like. Arrange cord away from traffic areas and where it will not be tripped over.
12. To disconnect this appliance, turn controls to the off position, then remove plug from outlet.
13. Connect to properly grounded outlets only.
14. This appliance, when installed, must be electrical grounded in accordance with local codes, with the current CSA C22.1 Canadian Electrical codes, or for USA installations, follow local codes and National Electric Code, ANSI/NFPA No. 70.
15. Do not insert or allow foreign objects to enter any ventilation or exhaust opening as this may cause an electric shock, fire or damage to the appliance.
16. To prevent possible fire, do not block air intakes or exhaust in any manner. Do not use on soft surfaces, like a bed, where openings may become blocked.
17. This appliance has hot arcing or sparking parts inside. Do not use it in areas where gasoline, paint, or flammable liquids are used or stored. This appliance should not be used as a drying rack for clothing, nor should Christmas stockings or decorations be hung on or near it.
18. Use this appliance only as described in this manual. Any other use not recommended by the manufacturer may cause fire, electric shock or injury.
19. Always plug heaters directly into a wall outlet. An extension cord or relocatable power tap (outlet / power strip) should never be used.
20. Do not use this heater with missing, damaged, or broken legs.

SAVE THESE INSTRUCTIONS

Specifications

| | |
|------------------------|---------------|
| Model Number | 820-187 |
| Dimensions (W x D x H) | 25"x15"x28.3" |
| Net Weight | 37.4 lb |
| Gross Weight | 46.3 lb |
| Power Rating | 1400 W |
| Voltage | 120 V |
| Frequency | 60 Hz |

Package Contents



Main Unit

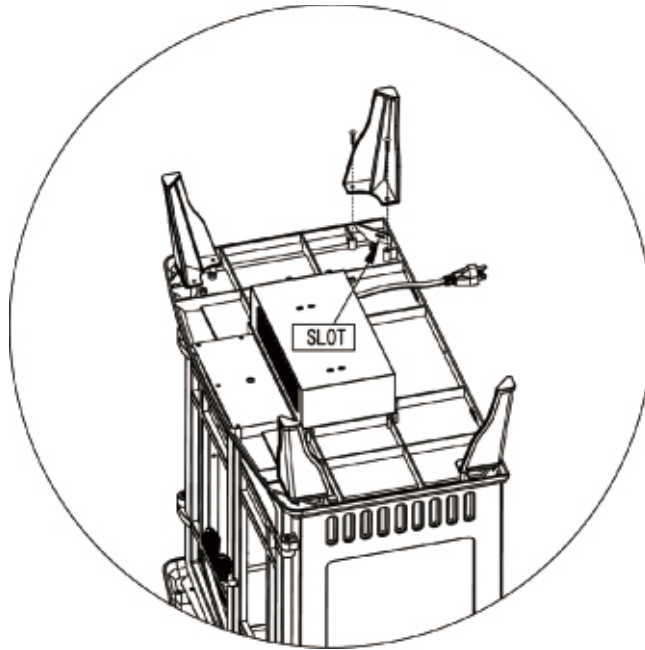


Screw x8



Leg x4

Installation Guide



Assemble Instruction

1. Take out the unit from the box and layout all the spare parts for easy assembly. Make sure all small items are not left in the packaging materials.
2. Lay the unit upside down.
3. Attach the leg to the unit by aligning the tabs on the leg to the slot on the unit.
4. Secure the leg on the unit by tighten 2 screws into the pre-drilled hole.
5. Repeat the above steps for the remaining legs.

Placing the Unit

Place the unit on smooth level surface.

Keep combustible objects at least 3ft away from the unit.

Allow at least 4" of clearance space around the side of the unit.

Place the unit to a location that is accessible to grounded power socket.

NOTE:

This unit is intended for indoor use only.

Do not push, pull, or drag the unit to prevent damage to the legs or the unit.

Installation Guide

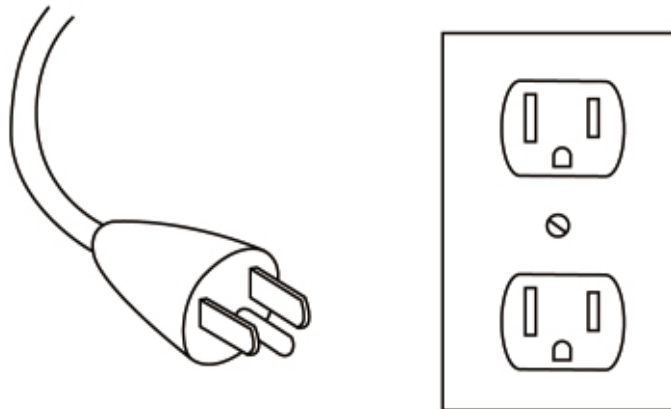
Grounding

This product must be grounded. If it should malfunction or breakdown, grounding provides a path of least resistance for electric current to reduce the risk of electric shock.

This unit comes standard with a 6ft (1.8m) long, three wired cord. Always plug the unit into a wall outlet. An extension or relocate tab should never be used.

⚠ CAUTION! WARNING: Improper connection of the equipment grounding conductor can result in a risk of electric shock. Check with a qualified electrician or serviceman if you are in doubt as to whether the product is properly grounded.

⚠ CAUTION! WARNING: DO NOT modify the plug provided with the product if it does not fit the outlet. Have a proper outlet installed by a qualified electrician.

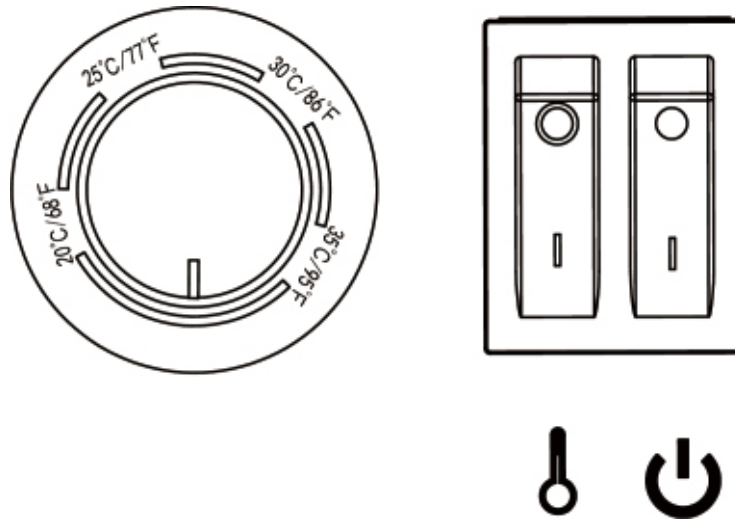


User Instruction

Before use

Check that the air intake and exhaust is not covered or obstructed in anyway.

Plug the unit to a grounded power socket.



Power ON / OFF

Flip the power switch to "ON" position to power on the unit.

Flip the power switch to "OFF" position to power off the unit.

⚠ CAUTION! WARNING: DO NOT unplug the unit when it is still "ON"

Heater

Toggle the Temperature switch to turn on the heater. Turn the temperature knob to select the desired temperature.

Flame Effect

The flame effect will be visible through the front window after toggle the power switch to "ON" position.

Temperature Limiting Feature

This unit will automatically shut off if the heater reach an unsafe temperature. To reset, Toggle the power switch to "off" position, unplug the socket and wait for at least 5 minutes before plugging the unit to a grounded power outlet and turning on the unit.

User Instruction

Care and Maintenance

Cleaning the unit:

Always turn off the and unplug the unit from power outlet before cleaning.

Use a vacuum cleaner or duster to remove dust and dirt from the heater and vent areas.

Use a damp soft cloth to clean the surface and buff with a dry cloth.

Do not use abrasive cleansers, liquid sprays or any cleaner that could scratch the surface.

US



001-877-644-9366
customerservice@aosom.com

CA



001-855-537-6088
customerservice@aosom.ca

UK



0044-800-240-4004
enquiries@mhstar.co.uk

DE



0049-(0)40-88307530
service@aosom.de

FR



0033-1-84166106
contact@aosom.fr

ES



0034-931294512
atencioncliente@aosom.es

IT



0039-0249471447
clienti@aosom.it