



INCja057V02_US

820-282V80



IMPORTANT, RETAIN FOR FUTURE REFERENCE: READ CAREFULLY

ASSEMBLY & INSTRUCTION MANUAL

Features:
Realistic 3-D Flame Effect
Three Settings:
3-D Flame Only
Low Heat
High Heat
Fan Forced Air Circulation
Stay Cool Composite Body

AC 120V, 60Hz, 750/1500W

INTENDED USE:

This product is intended for indoor residential and office use only, not for industrial or other commercial application. Use only with electrical wiring that is in good working order and that meets applicable codes and ordinances. This heater must be plugged into a 120V AC circuit. Do not plug anything additional into the same circuit. If you have any questions whether your wiring is adequate, consult a qualified electrician. Risk of fire, overheating, malfunction, property damage, injury or even death result if not adhered to

Use your heater-fan only with a working smoke detector located in the vicinity of your heater/fan.

While using your heater/fan, you should follow the **IMPORTANT INSTRUCTIONS** listed below. As part of those instructions, we have used the word "**WARNING**" to indicate the level of hazard: **WARNING** indicates a hazard which, if not avoided, could result in injury or death.

IMPORTANT INSTRUCTIONS

When using electrical appliances, basic precautions should always be followed to reduce the risk of fire, electric shock and injury to persons, including the following:

Read all the instructions before using this heater/fan.

This heater/fan is hot when in use. To avoid burns, do not let bare skin touch hot surfaces. Use provided handle when moving this heater. Keep combustible materials, such as furniture, pillows, bedding, papers, clothes and curtains at least 0.9 meters from the front of the heater-fan and keep them away from the sides and rear.

Do not use heater unattended. Use of extreme caution is necessary when any heater is used by or near children, invalids, disabled persons or pets.

Do not operate the heater with a damaged power cord or after the heater malfunctions, has been dropped or damaged in any manner. Return heater to authorized service facility for examination, electrical or mechanical adjustment or repair.

Do not use heater outdoors.

Use your heater only in dry environments. This heater is not intended for use in a bathroom, laundry area, or similar locations, or near sinks, washing machines, swimming pools or other sources of water. Never locate heater where it may fall into a bathtub or other water container. Do not use in damp environments such as flooded basements.

Do not place the heater on a small, unlevel, uneven or any surface which might allow heater to tip or fall.

For proper operation, heater should be placed on a smooth, non-combustible surface. Do not place on rugs, carpet, vinyl flooring or other plastic surfaces. Not for use outdoors or in wet areas.

This heater is not designed as a primary heat source.

1

Always plug heaters directly into a wall outlet/receptacle. Never use with an extension cord or relocatable power tap (outlet/power strip).

Always unplug heater when not in use.

Do not run power cord under carpeting. Do not cover cord with throw rugs, runners or similar coverings. Arrange cord away from traffic area where it will not be tripped over. To disconnect heater, turn controls off then remove plug from outlet.

Do not insert or allow foreign objects to enter any ventilation or exhaust opening as this may cause an electric shock or fire or damage the heater.

To prevent a possible fire, do not block air intakes or exhaust in any manner. Do not use on soft surfaces like a bed, where openings may become blocked.

A heater has hot and arcing or sparking parts inside. Do not use it in areas where gasoline, paint or flammable liquids are used or stored.

Use this heater only as described in this manual. Any other use not recommended by the manufacturer may cause fire, electric shock or injury to persons or property.

USAGE

HEATER OPERATION: Always operate the heater in the upright position following all instructions and recommendations listed in this manual **HEATER LOCATION:** Place the heater in the area of the room that is coldest. **HEATER CONNECTION:** Plug heater directly into 120 volt A.C., 60Hz wall outlet. Be sure plug fits tightly in outlet. A loose connection may cause overheating and damage to the plug or heater. **NOTE:** To prevent overloading a circuit, do not plug the heater into a circuit that is servicing other electrical needs.

TURNING HEATER ON:

For Flame Effect Only- Slide main power ON/OFF switch to ON position to have the flame effect without any heater functions.

For Low Heat-Slide main power ON/OFF switch to ON position and Slide switch "I" to ON position.

For High Heat-Slide main power ON/OFF switch to ON position and slide both switch "I" and switch "II" to ON position.



Adjustable Thermostat

ON/OFF Switch:
Main Power &
Simulated Flame (without heat)

Two Switches for HEAT SETTINGS:
•Switch I = Low
•Switch I + II Combined = High

2

SETTING THERMOSTAT: After heater has been turned on and the room has reached the desired temperature, slowly rotate the thermostat knob counter-clockwise until the heater shuts off (you should hear a faint "click") By leaving the thermostat at the setting it will automatically maintain this temperature. To lower the temperature, turn the knob left to LOW(OFF). To increase the temperature, turn the constant temperature knob right to HIGH(ON) position.

TURNING OFF: Turn the Main Power On/Off power switch OFF to discontinue use. The Low Heat Switch and High Heat Switch can remain in any position and will have no power. They will continue to have the same set functions when the heater is turned back on. Heater should be unplugged when not in use.

IMPORTANT SAFETY FEATURES

The heater is equipped with an automatic overheat protection device located inside the body of the heater. If the heater grille is obstructed, or if the heater gets too hot for any reason, the automatic overheat protection device will turn the heater off. To reset the heater, simply turn power off and unplug the heater for 10 minutes until it cools down and you may plug the heater in and restart the heater. Be sure that the heater is on a smooth level surface with no obstructions.

CARE AND MAINTENANCE

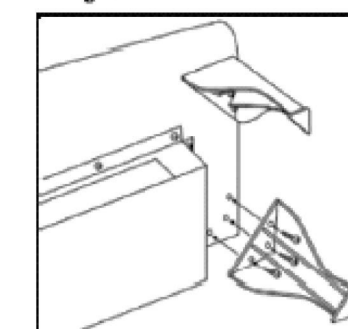
CLEANING: CAUTION-Before cleaning the heater be sure to disconnect power cord and allow the heater to cool completely. Clean the outside surface with a clean damp cloth. Do not use harsh chemical or abrasive cleaners. DO NOT IMMERSE THE HEATER IN WATER. Allow heater to dry completely before use. Use a vacuum or duster to keep heat and vent area clean and free of dust and dirt.

LEG ASSEMBLY:

Simple assembly is required if the legs of your heater arrive unassembled Using a screwdriver, thread three screws through the holes in each leg as illustrated in Fig.1 below and tighten them down counter-clockwise onto the underside of the heater. Please note: extra screws are provided, you may have some left over after assembly.

The bottom foot is placed at the bottom of the product package.

Fig. 1



Screw bag is put in the same bag as instruction manual, do not discard

REPAIR:

DO NOT OPERATE THE HEATER WITHOUT THE GRILLE IN PLACE. DO NOT USE THE HEATER IF IT HAS MALFUNCTIONED OR BECOME DAMAGED IN ANY WAY. DO NOT REMOVE BACK COVER OF HEATER; NO SERVICEABLE PARTS.

3

145x210mm(20220523/YS2205231325)